

EPA Wood Fireplaces

HEAT & GLO®





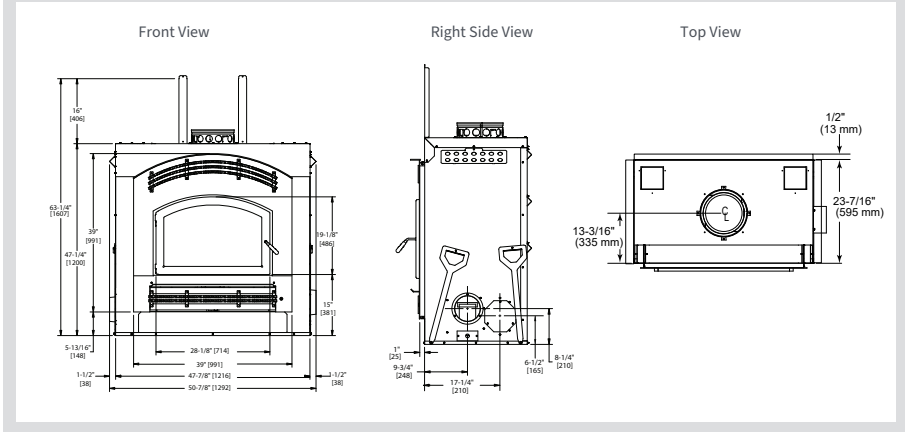
PIONEER III

With fuel-saving efficiency and the effortless operation of Smart Burn Technology, the Pioneer III wood-burning fireplace delivers generous heat in a beautiful-looking fire. You can add up to two heat zone ducts to send that heat into other rooms, making this EPA-approved fireplace a whole house heater.

FEATURES AND BENEFITS

- Smart Burn Technology – controls the air coming into your fire
- Heats 1,200 - 3,000 sq ft with up to 85,175 BTUs, based on climate and home efficiency
- 4.1 cu.-ft. firebox holds 24" logs for long-lasting heat
- 400-CFM fan system pushes heat further and faster into your room
- Certified to the EPA 2020 emissions standard
- Two door styles (arch and rectangular); three front choices

FRONT WIDTH		BACK WIDTH		HEIGHT		DEPTH		FIREBOX OPENING
Unit	Framing	Unit	Framing	Unit	Framing	Unit	Framing	
47-7/8 [1216]	51 [1295]	47-7/8 [1216]	51 [1295]	47-1/4 [1200]	63-1/4 [1607]	23-1/2 [597]	24-1/2 [622]	Arched: 28-1/8 x 19-1/8 [714 x 486] Rectangular: 28-1/8 x 18-1/8 [714 x 460]



PIONEER III FRONT OPTIONS



FORGED ARCH FRONT



MISSION ARCH FRONT



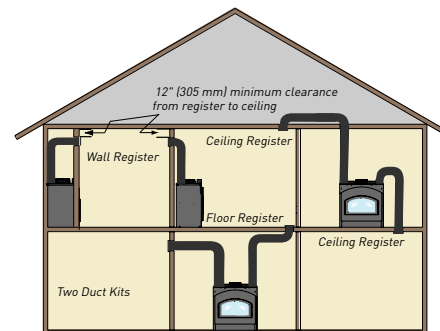
MISSION RECTANGULAR FRONT

HEAT MANAGEMENT

Optional Heat Zone Kit

Available on Pioneer III, Pioneer II, and Northstar

With zone heating, you can easily reduce your energy consumption by up to 40%, and reduce your utility bill in the process. Using a Heat&Glo fireplace as a supplemental heating source, you can turn down your central furnace or boiler system and still maintain comfortable temperatures in your common living area.



POSSIBLE HEAT ZONE DUCT RUNS

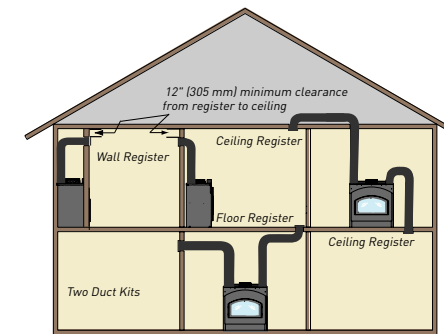
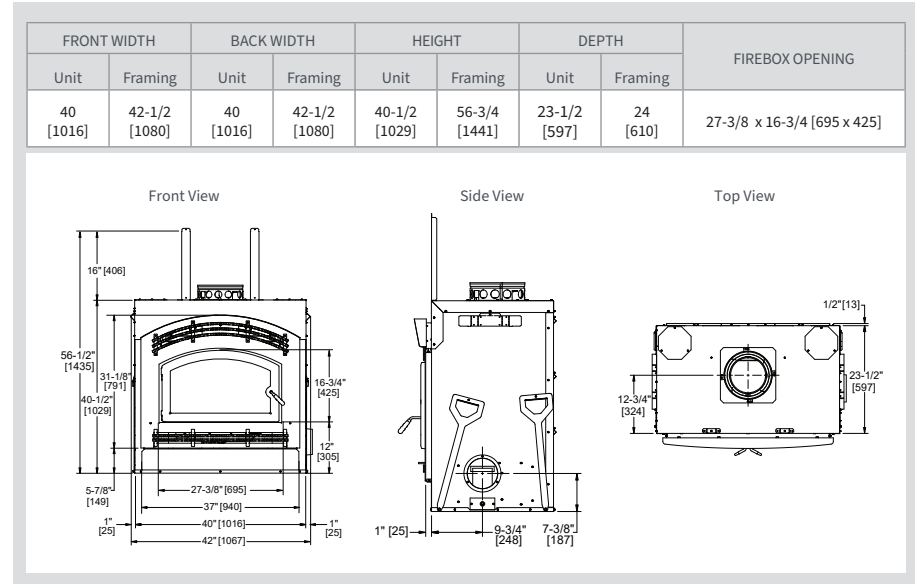


PIONEER II

Enjoy hassle-free performance that's ideal for everyday use. The efficiency of the EPA-approved Pioneer II supplies long burn times with nonstop rolling flames. Never has it been easier to set the mood for relaxing or just keeping your home or cabin toasty warm.

FEATURES AND BENEFITS

- Heats 1,000-2,600 sq. ft. with 68,200 BTUs, based on climate and home efficiency
- 22" recommended log length and 2.7 cu. ft. firebox capacity
- Up to 10 hours of burn time form each load of wood
- Comes standard with front and black arched door



POSSIBLE HEAT ZONE DUCT RUNS

HEAT MANAGEMENT

Optional Heat Zone Kit

Available on Pioneer III, Pioneer II, and Northstar

With zone heating, you can easily reduce your energy consumption by up to 40%, and reduce your utility bill in the process. Using a Heat&Glo fireplace as a supplemental heating source, you can turn down your central furnace or boiler system and still maintain comfortable temperatures in your common living area.



NORTHSTAR

The EPA-certified Northstar exceeds the strictest environmental burn standards in the U.S. Enjoy roaring fires in areas where conventional wood-burning fireplaces are banned. Powerful flames and high-efficiency performance are at home in any environment.

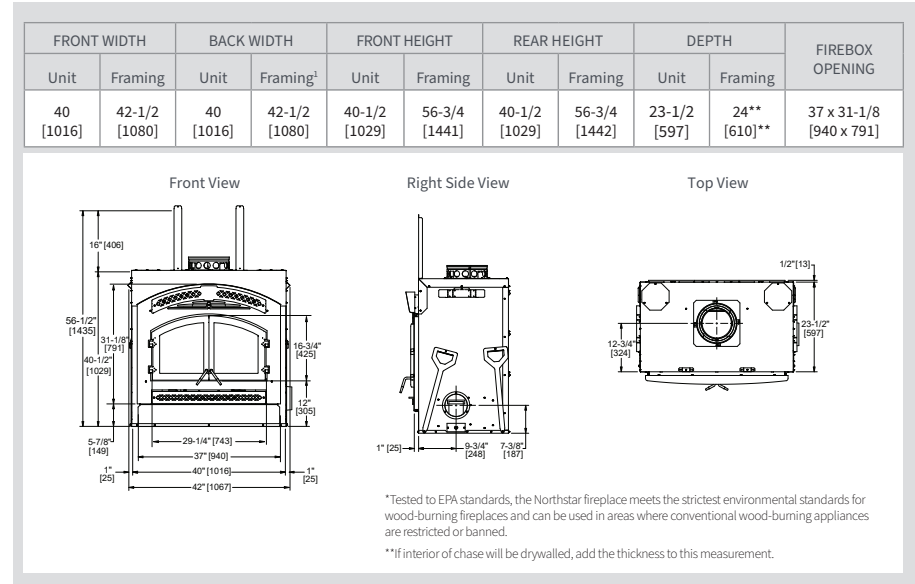
FEATURES AND BENEFITS

- 68,200 BTU¹—Heats 1,000 to 2,600 square feet²
- 2.7 cu ft interior capacity / 22" recommended log length
- Up to 10 hours of burn time from each load of wood
- EPA certified with emission levels of just 1.8 grams per hour
- Cast iron, cabinet-style doors

HEAT MANAGEMENT

Optional Heat Zone Kit

With zone heating, you can easily reduce your energy consumption by up to 40%, and reduce your utility bill in the process. Using a Heat&Glo fireplace as a supplemental heating source, you can turn down your central furnace or boiler system and still maintain comfortable temperatures in your common living area.



For complete information on this model, please contact us at:



OUR SUSTAINABILITY STORY

Our history of leadership in the hearth industry compels us to now lead the way in developing manufacturing practices that ensure our planet remains as durable, beautiful and long-lasting as our products. Find out how we are leading the industry in sustainable practices by scanning the code.

LIMITED LIFETIME WARRANTY¹

The strongest in the industry, Heat & Glo provides a limited lifetime warranty on the most important aspects: firebox and heat exchanger.

¹ For full warranty details see heatnglo.com
 Fireplace glass and other surfaces get extremely HOT and can cause severe burns if touched. Do not remove the protective safety screen from the front of the glass. Keep a safe distance away. To learn more visit www.heatnglo.com/fireplace_safety

HEAT & GLO
 No one builds a better fire

Web: heatnglo.com
 Phone: (888) 427-3973

facebook.com/HeatandGlo
 x.com/HeatandGlo
 youtube.com/HeatandGlo



HNG-1181U-0724