

MONTIGO®

# DELRAY

DELRAY / THE ART OF FIREPLACES

DRL3613

DRL3613-2

DRL4813

DRL4813-2

DRL6013

DRL6013-2

DRSQ34NI

DRSQ34NI-2

DRSQ38NI

DRSQ38NI-2

DRSQ42NI

DRSQ42NI-2

DRSQ46NI

DRSQ46NI-2



DELRAY / SINGLE SIDED

# DELRAY

## LINEAR

The perfect companion to today's design trends of minimalism & clean lines

## DelRay Linear

### Framing depth

The DelRay 36, 48, and 60 fit easily into a 14¼" framing depth

### Combustible facing


Our unique firebox design allows for installing a combustible wood facing right down to the glass opening.

### Trim kits

For uneven and ledgestone finishing, a slim finishing kit connects directly to the fireplace frame to conceal the finished edge. These kits are adjustable and can cover finishing depths up to 2".







### Micro mesh safety screen

Full load DelRay units feature a micro mesh safety screen. A micro-woven steel mesh with the same tensile strength as our standard screens, creating a safety barrier that's practically invisible.



DELRAY / FROM MINIMALIST TO INDULGENCE



### Features

Meets requirements for efficiency rebates

14¼ framing depth

Mobile home compatible

Convertible to co-linear venting



# DELRAY

LINEAR

# ELEGANTLY SIMPLE

### DELRAY FULL LOAD LINEAR

### DELRAY BASIC LINEAR

DRL3613  
DRL4813  
DRL6013

SINGLE SIDED  
DIRECT VENT

#### Standard

- Concealed burner with Ice fireglass
- Multi-function remote control
- Remote controlled fans
- Micro mesh safety screen
- Black reflective glass
- Halogen downlighting
- Battery backup
- Cement board

#### Options

- Propane conversion kit
- Adjustable trim kits
- Speckled stones, driftwood, glass media
- Heat management
- WiFi phone app control

#### Standard

- Concealed burner with Ice fireglass
- Cement board
- Options**
- Remote control
- Fans
- Micro mesh safety screen
- Black reflective glass
- Propane conversion kit
- Adjustable trim kits
- Battery backup
- Speckled stones, driftwood, glass media
- Heat management

### QUICK DIMENSIONS

	DRL3613		DRL4813		DRL6013	
	UNIT	FRAM.	UNIT	FRAM.	UNIT	FRAM.
F.WIDTH	45¼	43¾	57¼	55¾	69¼	68 <sup>15</sup> / <sub>16</sub>
B.WIDTH	41¾	43¾	53 <sup>7</sup> / <sub>16</sub>	55¾	65 <sup>7</sup> / <sub>16</sub>	68 <sup>15</sup> / <sub>16</sub>
HEIGHT	26¾	33 <sup>11</sup> / <sub>16</sub>	26¾	33 <sup>11</sup> / <sub>16</sub>	26¾	33 <sup>11</sup> / <sub>16</sub>
DEPTH	12¾	14¼	12¾	14¼	12¾	14¼
VIEWING	36½ x 14 <sup>11</sup> / <sub>16</sub>		48½ x 14 <sup>11</sup> / <sub>16</sub>		60½ x 14 <sup>11</sup> / <sub>16</sub>	

### BTU LISTING

DRL3613NI-2 / 16,000  
DRL3613LI-2 / 16,000  
DRL4813NI-2 / 21,000  
DRL4813LI-2 / 19,000

DRL6013NI-2 / 28,000  
DRL6013LI-2 / 25,000  
BTU is the same for basic and for fully loaded units

### EFFICIENCY P.4. 1-15

DRL3613NI / 71%  
DRL3613NI-2 / 71%  
DRL3613LI / 71%  
DRL3613LI-2 / 71%

DRL4813NI / 63%  
DRL4813NI-2 / 63%  
DRL4813LI / 60%  
DRL4813LI-2 / 60%

DRL6013NI / 67%  
DRL6013NI-2 / 64%  
DRL6013LI / 66%  
DRL6013LI-2 / 64%

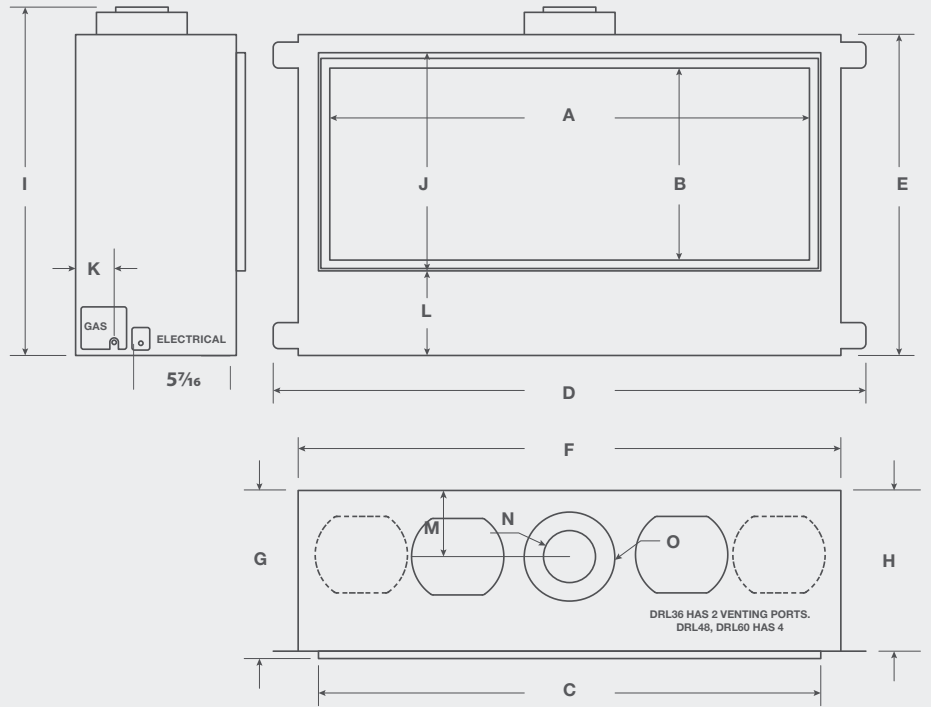






MONTIGO / DELRAY / LINEAR / DRL3613NI-2 / DRIFTWOOD SPECKLED STONES

**DELRAY DIMENSIONS**



	A	B	C	D	E	F	G	H	I	J	K	L	M	N	O
DRL36	36½	14 <sup>1</sup> / <sub>16</sub>	38¾	45¼	24¼	41¾	12¾	12 <sup>5</sup> / <sub>16</sub>	26¾	16 <sup>5</sup> / <sub>8</sub>	3 <sup>3</sup> / <sub>8</sub>	6 <sup>9</sup> / <sub>16</sub>	5	4	7
DRL48	48½	14 <sup>1</sup> / <sub>16</sub>	50 <sup>5</sup> / <sub>16</sub>	57¼	24½	53 <sup>7</sup> / <sub>16</sub>	12¾	12 <sup>5</sup> / <sub>16</sub>	26¾	16 <sup>5</sup> / <sub>8</sub>	3 <sup>3</sup> / <sub>8</sub>	6 <sup>9</sup> / <sub>16</sub>	5	4	7
DRL60	60½	14 <sup>1</sup> / <sub>16</sub>	62½	69¼	24½	65 <sup>7</sup> / <sub>16</sub>	12¾	12 <sup>5</sup> / <sub>16</sub>	26¾	16 <sup>5</sup> / <sub>8</sub>	3 <sup>3</sup> / <sub>8</sub>	6 <sup>9</sup> / <sub>16</sub>	5	4	7

MONTIGO / DELRAY / LINEAR / DRL6013NI-2 / DRIFTWOOD SPECKLED STONES



**OPTIONS & FEATURES**

REMOTE†  
RX200\*\*

†Standard for full load units  
‡Full load units only

WALL REMOTE†  
EC1550

WIFI PHONE APP  
CONTROL†  
SIT-WIFI

BLACK GLASS†  
RBGDRL\*\*

DOWNLIGHTING††

TRIM KIT  
DRLT\*\*\_\*



# DELRAY FINISHING

TRADITIONAL FINISHING • COOL WALL RELEASE / COOL WALL ADVANTAGE

The finishing options for the DelRay Linear are as diverse as the unit itself. Create a surface safe for combustibles with the Cool Wall Release or Cool Wall Advantage kit, or keep it simple with traditional finishing. It's all up to you.

## Traditional Finishing

**DRL3613 NON-VENTED  
CHASE SURFACE  
TEMPERATURES**

Requires included cement board.

**130°F**  
16" ABOVE  
OPENING

**140°F**  
12" ABOVE  
OPENING

**160°F**  
8" ABOVE  
OPENING

**180°F**  
4" ABOVE  
OPENING

Standard  
Drywall

Included  
Cement Board



### Trim Kits

For uneven and ledgestone finishing, we developed a slim finishing kit that fits directly to the fireplace frame to conceal the finished edge.

These kits are adjustable and cover finishing depths up to 2"



COOL WALL ADVANTAGE / TV KIT





### CHASE VENTING VALANCE

Prevent heat from being trapped within the chase by leaving the top open to allow heat to ventilate back into the room.

## Cool Wall Release

### DRL3613 VENTED CHASE SURFACE TEMPERATURES

DRL3613  
Minimum 70<sup>2</sup> inch opening  
DRL4813  
Minimum 100<sup>2</sup> inch opening  
DRL6013  
Minimum 120<sup>2</sup> inch opening

Temperatures shown are based on a DRL3613NI-2 with vented chase

Minimum 6' chase  
(When venting ports open or using Cool Wall Advantage kit)

Included cement board and stud heat deflector not required when using the Cool Wall Release or Cool Wall Advantage System.



### VENTING PORTS

Opening the venting ports diverts heat through the chase, resulting in lower wall surface temperatures

95<sup>oF</sup>  
16" ABOVE OPENING

100<sup>oF</sup>  
12" ABOVE OPENING

100<sup>oF</sup>  
8" ABOVE OPENING

105<sup>oF</sup>  
4" ABOVE OPENING

Combustible Finish

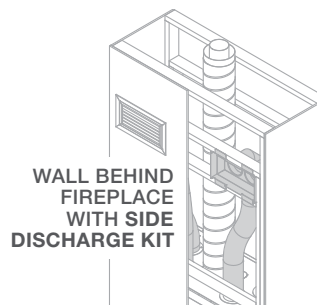
COOL WALL ADVANTAGE / SIDE DISCHARGE KIT

## Cool Wall Advantage

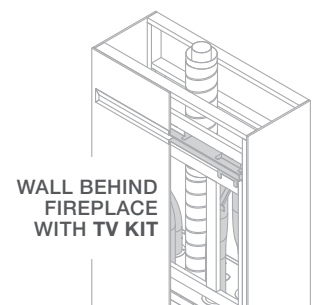
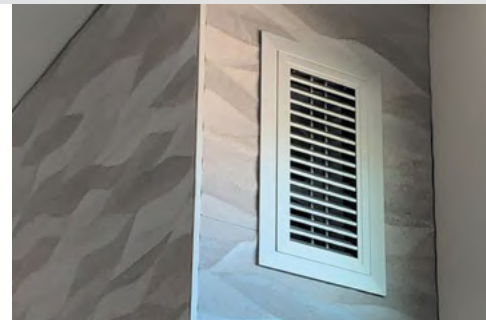
Cool Wall Advantage kits convection pulls the heat through the attached vents and distributes it where it belongs - in the room.

### HEAT DIVERSION INTO AN ADJACENT ROOM

Leverage the heat from your fireplace to warm a room that shares a wall with the unit.



WALL BEHIND FIREPLACE WITH SIDE DISCHARGE KIT



WALL BEHIND FIREPLACE WITH TV KIT





DELRAY / LINEAR / DRL3613NI-2 / ICE FIREGLASS / REFLECTIVE BLACK GLASS

DELRAY / LINEAR / DRL6013NI-2 / DRIFTWOOD AND SPECKLED STONES / REFLECTIVE BLACK GLASS



**DELRAY 60**  
AVAILABLE 2023





DELRAY / LINEAR / DRL4813NI-2 / ICE FIREGLASS

DELRAY / LINEAR / DRL3613NI-2 / DRIFTWOOD AND SPECKLED STONES /







SPECKLED STONES  
RR\*\*\*SS



COPPER  
HW1143



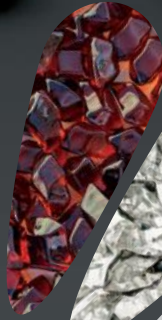
AMBER  
HW1261



ICE  
HW1157



GLACIER  
HW1219B



PLATINUM  
HW1144



ALABASTER  
HW1260

OBSIDIAN  
HW1113

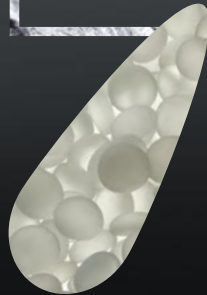


ONYX  
HW1259



# MEDIA

FROST  
HW1112



QUARTZ  
HW1106



EBONY  
HW1091



DRIFTWOOD  
LGS\*\*\*





# Unit Specifications

## ICON LEGEND

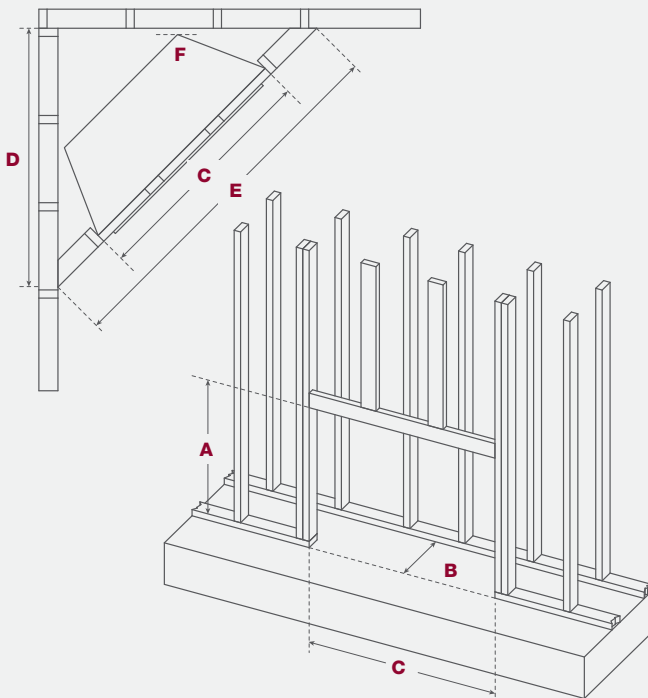
AVAILABLE	+	NOT AVAILABLE	-
DEDICATED	◊	STANDARD	◦

	BTU NATURAL GAS	BTU LIQUID PROPANE	VENTING	CLEARANCE TOP	CLEARANCE SIDES	CLEARANCE BACK	CLEARANCE FLOOR	FRONT VIEWING AREA	FRONT GLASS TYPE	STANDARD MEDIA	MICRO MESH SAFETY SCREEN	POWERVENT	REMOTE CONTROL	FANS	UPLIGHTING	DOWNLIGHTING
DRL3613*1-2	16,000	16,000	4"/7"	21	1	2	0	36½ X 14⅞	TEMPERED	HW1157	◦	+	◦	-	-	◦
DRL3613*1	16,000	16,000	4"/7"	21	1	2	0	36½ X 14⅞	TEMPERED	HW1157	+	+	+	-	-	-
DRL4813*1-2	21,000	19,000	4"/7"	21	1	2	0	48½ X 14⅞	TEMPERED	HW1157	◦	+	◦	◦	-	◦
DRL4813*1	21,000	19,000	4"/7"	21	1	2	0	48½ X 14⅞	TEMPERED	HW1157	+	+	+	-	-	-
DRL6013*1-2	28 000	25 000	4"/7"	36	1¾	2	0	60 ½ X 14 ⅞	TEMPERED	HW1157	◦	+	◦	◦	-	◦
DRL6013*1	28 000	25 000	4"/7"	36	1¾	2	0	60 ½ X 14 ⅞	TEMPERED	HW1157	+	+	+	+	-	-

## DELRAY LINEAR FRAMING

	A	B	C	D	E	F
DRL3613	33⅞	14¼	43⅜	47½	67⅞	½
DRL4813	33⅞	14¼	55⅜	56⅞	79¼	½
DRL6013	33⅞	14¼	68⅞	64½	91⅜	½

Header must be on edge to meet clearance to venting



# DELRAY

## SQUARE

## The DelRay Square Universal Burner

A revolutionary burner system, creating endless opportunities

### Versatility

We have developed a burner system that is not only convertible from natural gas to propane, but can switch from traditional to contemporary burner media without changing the burner system.

Media kits, such as logsets and contemporary scenes, must be ordered along with the unit.

### Combustible facing

Our unique firebox design allows for installing a combustible wood facing right down to the glass opening.

### Trim kits

For uneven and ledgestone finishing, a slim finishing kit connects directly to the fireplace frame to conceal the finished edge. These kits are adjustable and can cover finishing depths up to 2".







### Micro mesh safety screen

Full load DelRay units feature a micro mesh safety screen. A micro-woven steel mesh with the same tensile strength as our standard screens, creating a safety barrier that's practically invisible.

### TRADITIONAL LOGSETS

Hand painted to perfection

Each logset is designed to work with the universal burner system that ensures a realistic flame pattern that fills the firebox.

All logsets come standard with a black coal firebed and glowing ember media.



### WATCH IT BURN

DELRAY SQUARE 38 VIDEO

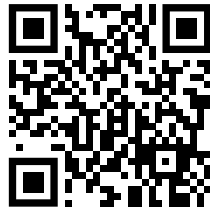


Watch the video to see the DelRay Square 38 burning with 9 media sets and 7 liners.

DELRAY SQUARE  
38 MEDIA SHOWN  
BELOW

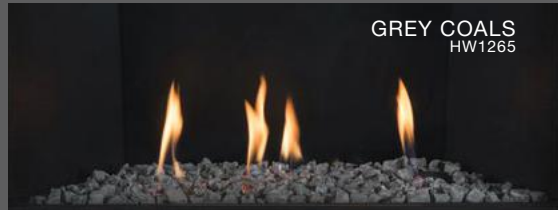
### WATCH IT BURN

DELRAY SQUARE 42 VIDEO



Watch the video to see the DelRay Square 42 burning with 9 media sets and 7 liners.

DELRAY SQUARE  
42 MEDIA SHOWN  
BELOW



GREY COALS  
HW1265



ICE FIREGLASS  
HW1157



SPECKLED STONES  
RR150SS



SPLIT OAK  
LGSSO4



BIRCH  
LGsBI4



DRIFTWOOD  
LGSDW4



WINTER  
CSW46



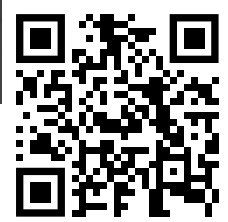
BEACH  
CSB46



TWILIGHT  
CST46



**WATCH IT BURN**  
DELRAY SQUARE 46 VIDEO



Watch the video to see the DelRay Square 46 burning with 9 media sets and 7 liners.

DELRAY SQUARE 46 MEDIA SHOWN ABOVE



DELRAY / SQUARE / DRSQ42NI-2 / TWILIGHT

### CONTEMPORARY SCENES

Modern design at its best

Our contemporary scenes have been designed to create the best possible environment for tall, robust flames and pair beautifully with any room.

All contemporary scenes come standard with glass media, rocks, ceramic chips, and glowing ember media.



MONTIGO

## Features

Easily convert from contemporary to traditional looks while using the same burner

Meets requirements for efficiency rebates

Field propane convertible

Convertible to 4/7

Convertible to co-linear

Mobile home compatible



DELRAY / FROM MINIMALIST TO INDULGENCE

# DELRAY

SQUARE

# CONTEMPORARY & TRADITIONAL

## DELRAY FULL LOAD SQUARE

## DELRAY BASIC SQUARE

DRSQ34  
DRSQ34-2  
DRSQ38  
DRSQ38-2

SINGLE SIDED  
DIRECT VENT

### Standard

- Concealed universal burner
- Multi-function remote
- Remote Hi-Lo flame control
- Remote controlled fans
- Micro mesh safety screen
- Battery backup
- Halogen downlighting

### Options

- Heat management
- Adjustable trim kits
- Traditional logsets
- Contemporary scenes
- Traditional and contemporary liners
- Propane conversion kit
- Speckled stones, glass media
- WiFi phone app control

### Standard

- Concealed universal burner
- Manual Hi-Lo flame control

### Options

- Heat management
- Adjustable trim kits
- Remote control
- Fans
- Micro mesh safety screen
- Traditional and contemporary liners
- Propane conversion kit
- Battery backup
- Traditional logsets
- Contemporary scenes
- Speckled stones, glass media



## QUICK DIMENSIONS

	DRSQ34		DRSQ38	
	UNIT	FRAM.	UNIT	FRAM.
F.WIDTH	34	36	38	40
B.WIDTH	15 <sup>3</sup> / <sub>8</sub>	36	20 <sup>3</sup> / <sub>8</sub>	40
HEIGHT	33 <sup>1</sup> / <sub>2</sub>	40 <sup>1</sup> / <sub>2</sub>	38	44 <sup>7</sup> / <sub>16</sub>
DEPTH	16 <sup>1</sup> / <sub>2</sub>	18	16 <sup>1</sup> / <sub>2</sub>	18
VIEWING	29 <sup>11</sup> / <sub>16</sub> X 18 <sup>7</sup> / <sub>8</sub>		33 <sup>11</sup> / <sub>16</sub> X 22 <sup>7</sup> / <sub>8</sub>	

## BTU LISTING

DRSQ34NI / 15,000  
DRSQ34NI-2 / 18,000  
DRSQ34LI / 14,000  
DRSQ34LI-2 / 16,500

DRSQ38NI / 20,500  
DRSQ38NI-2 / 24,000  
DRSQ38LI / 16,500  
DRSQ38LI-2 / 19,500

## EFFICIENCY P.4. 1-15

DRSQ34NI / 67.1%  
DRSQ34NI-2 / 65.7%  
DRSQ34LI / 65.4%  
DRSQ34LI-2 / 65.7%

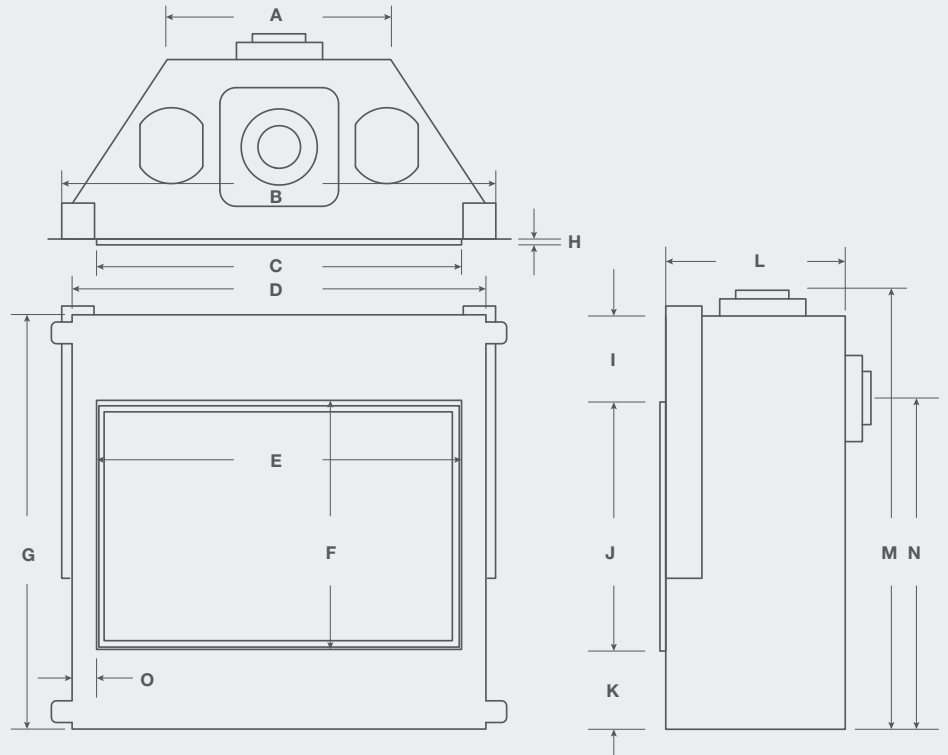
DRSQ38NI / 63.4%  
DRSQ38NI-2 / 65%  
DRSQ38LI / 61.8%  
DRSQ38LI-2 / 61.5%

<sup>A</sup> Standard on DRSQ3\*NI-2  
<sup>†</sup> Optional on DRSQ3\*NI-2 only  
<sup>‡</sup> Full load units only





## DELRAY SQUARE DIMENSIONS



	A	B	C	D	E	F	G	H	I	J	K	L	M	N	O
DRSQ34	16 $\frac{5}{8}$	35 $\frac{15}{16}$	29 $\frac{3}{4}$	34	29 $\frac{11}{16}$	18 $\frac{7}{8}$	32 $\frac{1}{2}$	$\frac{1}{2}$	8 $\frac{3}{4}$	18 $\frac{15}{16}$	5 $\frac{3}{4}$	16 $\frac{1}{2}$	34 $\frac{1}{2}$	25 $\frac{1}{16}$	2 $\frac{1}{8}$
DRSQ38	20 $\frac{3}{4}$	39 $\frac{15}{16}$	33 $\frac{3}{4}$	38	33 $\frac{11}{16}$	22 $\frac{7}{8}$	38	$\frac{1}{2}$	8 $\frac{3}{4}$	22 $\frac{15}{16}$	7 $\frac{1}{4}$	16 $\frac{1}{2}$	40 $\frac{5}{16}$	30 $\frac{1}{2}$	2 $\frac{1}{8}$



DELRAY / SQUARE / DRSQ48NI-2 / SPLIT OAK LOGSET



DELRAY / SQUARE / DRSQ38NI-2 / WINTER SCENE

OPTIONS & FEATURES



REMOTE<sup>4+</sup>  
RX200\*\*



WALL REMOTE<sup>†</sup>  
EC1550



WIFI PHONE APP  
CONTROL<sup>†</sup>  
SIT-WIFI



DOWNLIGHTING<sup>A</sup>



TRADITIONAL  
LOGSETS  
LGS\*\*3\*



CONTEMPORARY  
SCENES  
CS\*3\*



TRIM KIT  
DRSQT\*\*.\*

LINERS



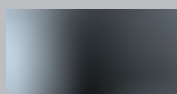
GREY  
HERRINGBONE  
DRSQBK3\*GH



GREY  
LEDGESTONE  
DRSQBK3\*GL



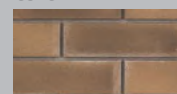
ASH FLUTED  
DRSQBK3\*AF



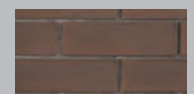
BLACK GLASS  
RBGDRSQ3\*



VINTAGE BRICK  
DRSQBK3\*VB



TAN BRICK  
DRSQBK3\*TB



RED BRICK  
DRSQBK3\*RB

DELRAY / FROM MINIMALIST TO INDULGENCE



# DELRAY

SQUARE

## MAKE A STATEMENT

DRSQ42NI  
DRSQ42NI-2  
DRSQ46NI  
DRSQ46NI-2

SINGLE SIDED  
DIRECT VENT

### DELRAY FULL LOAD SQUARE

#### Standard

- Concealed universal burner
- Multi-function remote
- Remote Hi-Lo flame
- Remote controlled fans
- Micro mesh safety screen
- Battery backup
- Halogen downlighting

#### Options

- Heat management
- Adjustable trim kits
- Traditional logsets
- Contemporary scenes
- Traditional and contemporary liners
- Propane conversion kit
- Speckled stones, glass media
- WiFi phone app control

### DELRAY BASIC SQUARE

#### Standard

- Concealed universal burner
- Manual Hi-Lo flame

#### Options

- Heat management
- Adjustable trim kits
- Remote control
- Fans
- Micro mesh safety screen
- Traditional and contemporary liners
- Propane conversion kit
- Battery backup
- Traditional logsets
- Contemporary scenes
- Speckled stones, glass media

### QUICK DIMENSIONS

	DRSQ42		DRSQ46	
	UNIT	FRAM.	UNIT	FRAM.
F.WIDTH	42	45	46	49
B.WIDTH	20 <sup>3</sup> / <sub>8</sub>	45	22 <sup>3</sup> / <sub>4</sub>	49
HEIGHT	43 <sup>3</sup> / <sub>8</sub>	51	47 <sup>3</sup> / <sub>8</sub>	55
DEPTH	19 <sup>1</sup> / <sub>2</sub>	22	21	22
VIEWING	37 <sup>1</sup> / <sub>16</sub> X 26 <sup>7</sup> / <sub>8</sub>		41 <sup>1</sup> / <sub>16</sub> X 30 <sup>7</sup> / <sub>8</sub>	

### BTU LISTING

DRSQ42NI / 32,500  
DRSQ42NI-2 / 32,500  
DRSQ42LI / 27,000  
DRSQ42LI-2 / 27,000

DRSQ46NI / 40,000  
DRSQ46NI-2 / 40,000  
DRSQ46LI / 34,000  
DRSQ46LI-2 / 34,000

### EFFICIENCY P.4. 1-15

DRSQ42NI / 63.1%  
DRSQ42NI-2 / 63.1%  
DRSQ42LI / 63%  
DRSQ42LI-2 / 63%

DRSQ46NI / 64.1%  
DRSQ46NI-2 / 64.1%  
DRSQ46LI / 64.7%  
DRSQ46LI-2 / 64.7%

<sup>A</sup>Standard on DRSQ\*\*NI-2  
<sup>†</sup>Optional on DRSQ\*\*NI-2 only  
<sup>‡</sup>Full load units only





### Features

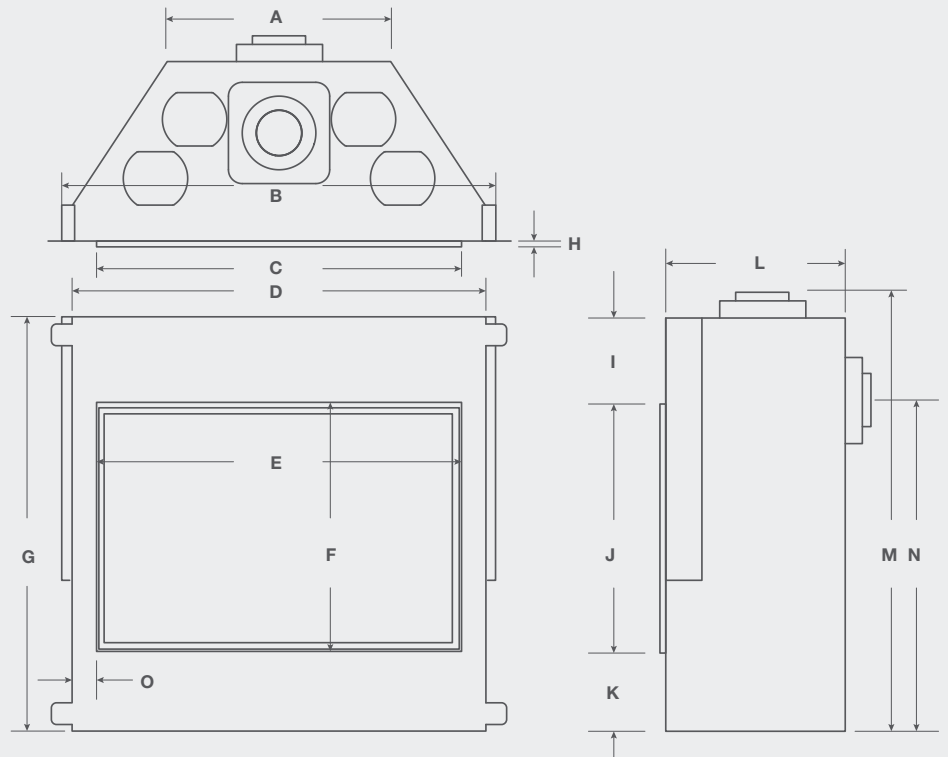
Easily convert from contemporary to traditional looks while using the same burner

Meets requirements for efficiency rebates

Field propane convertible

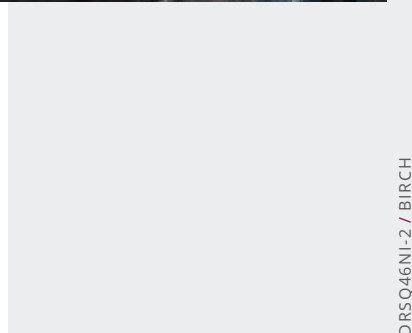
Mobile home compatible

### DELRAY SQUARE DIMENSIONS



	A	B	C	D	E	F	G	H	I	J	K	L	M	N	O
DRSQ42	20 $\frac{3}{8}$	43 $\frac{15}{16}$	37 $\frac{3}{4}$	42	37 $\frac{1}{16}$	26 $\frac{7}{8}$	43 $\frac{3}{16}$	$\frac{1}{2}$	9	26 $\frac{15}{16}$	7 $\frac{1}{4}$	19 $\frac{1}{2}$	45	34 $\frac{9}{16}$	2 $\frac{1}{8}$
DRSQ46	22 $\frac{3}{4}$	47 $\frac{15}{16}$	41 $\frac{3}{4}$	46	41 $\frac{1}{16}$	30 $\frac{7}{8}$	47 $\frac{3}{16}$	$\frac{1}{2}$	8 $\frac{15}{16}$	30 $\frac{15}{16}$	7 $\frac{1}{4}$	21	49 $\frac{1}{16}$	38 $\frac{1}{2}$	2 $\frac{1}{8}$

DELRAY / SQUARE / DRSQ46NI-2 / SPLIT OAK



DELRAY / SQUARE / DRSQ46NI-2 / BIRCH



OPTIONS & FEATURES



REMOTE<sup>A</sup>  
RX200\*\*



WALL REMOTE<sup>†</sup>  
EC1550



WIFI PHONE APP CONTROL  
SIT-WIFI<sup>‡</sup>



DOWNLIGHTING<sup>A</sup>



TRADITIONAL LOGETS  
LGS\*\*



CONTEMPORARY SCENES  
CS\*



TRIM KIT  
DRSQT\*\*.\*

LINERS



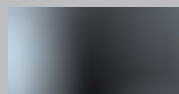
GREY HERRINGBONE  
DRSQBK\*\*GH



GREY LEDGESTONE  
DRSQBK\*\*GL



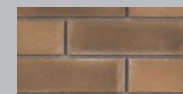
ASH FLUTED  
DRSQBK\*\*AF



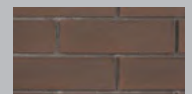
BLACK GLASS  
RBGDRSQ\*\*



VINTAGE BRICK  
DRSQBK\*\*VB



TAN BRICK  
DRSQBK\*\*TB



RED BRICK  
DRSQBK\*\*RB

# DELRAY FINISHING

TRADITIONAL FINISHING • COOL WALL RELEASE / COOL WALL ADVANTAGE

The finishing options for the DelRay Square are as diverse as the unit itself. Create a surface safe for combustibles with the Cool Wall Release or Cool Wall Advantage kit, or keep it simple with traditional finishing. It's all up to you.

## Traditional Finishing

### DRSQ38 NON-VENTED CHASE SURFACE TEMPERATURES

Requires included cement board  
and stud heat deflector.

140°F  
16" ABOVE  
OPENING

150°F  
12" ABOVE  
OPENING

180°F  
8" ABOVE  
OPENING

190°F  
4" ABOVE  
OPENING

Standard  
Drywall

Included  
Cement Board



### Trim Kits

For uneven and ledgerstone finishing, we developed a slim finishing kit that fits directly to the fireplace frame to conceal the finished edge.

These kits are adjustable and cover finishing depths up to 2"



### CHASE VENTING VALANCE

Prevent heat from being trapped within the chase by leaving the top open to allow heat to ventilate back into the room.

## Cool Wall Release

### DRSQ38 VENTED CHASE SURFACE TEMPERATURES

DRSQ34  
Minimum 70<sup>2</sup> inch opening  
DRSQ38  
Minimum 100<sup>2</sup> inch opening  
DRSQ42  
Minimum 120<sup>2</sup> inch opening  
DRSQ46  
Minimum 140<sup>2</sup> inch opening

Temperatures shown are based on a DRSQ38NI-2 with vented chase

Minimum 6' chase  
(When venting ports open or using Cool Wall Advantage kit)  
Minimum 7' chase for DRSQ46

Included cement board and stud heat deflector not required when using the Cool Wall Release or Cool Wall Advantage System.

90°F  
16" ABOVE OPENING

100°F  
12" ABOVE OPENING

115°F  
8" ABOVE OPENING

130°F  
4" ABOVE OPENING

Combustible Finish



### VENTING PORTS

Opening the venting ports diverts heat through the chase, resulting in lower wall surface temperatures

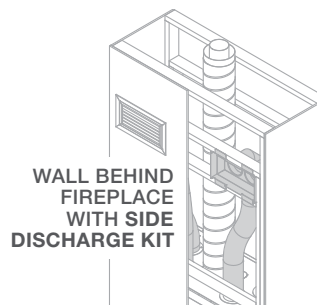
COOL WALL ADVANTAGE / SIDE DISCHARGE KIT

## Cool Wall Advantage

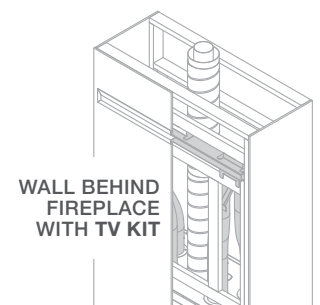
Cool Wall Advantage kits convection pulls the heat through the attached vents and distributes it where it belongs - in the room.

### HEAT DIVERSION INTO AN ADJACENT ROOM

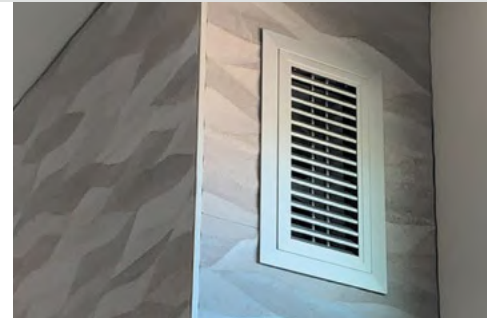
Leverage the heat from your fireplace to warm a room that shares a wall with the unit.



WALL BEHIND FIREPLACE WITH SIDE DISCHARGE KIT



WALL BEHIND FIREPLACE WITH TV KIT







DELRAY / SQUARE / DRSQ34NI-2 / WINTER / BLACK REFLECTIVE GLASS

DELRAY / SQUARE / DRSQ34NI-2 / SPLIT OAK / RED BRICK







DELRAY SQUARE / DRSQ34NI-2 / SPECKLED STONES / ASH FLUTED

DELRAY SQUARE / DRSQ42NI-2 / BEACH / LEDGESTONE





VINTAGE BROWN BRICK  
DRSQBK\*\*VB

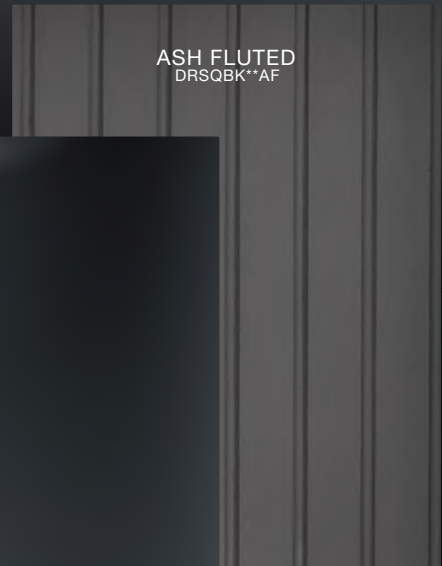
TAN BRICK  
DRSQBK\*\*TB

RED BRICK  
DRSQBK\*\*RB

# LINERS



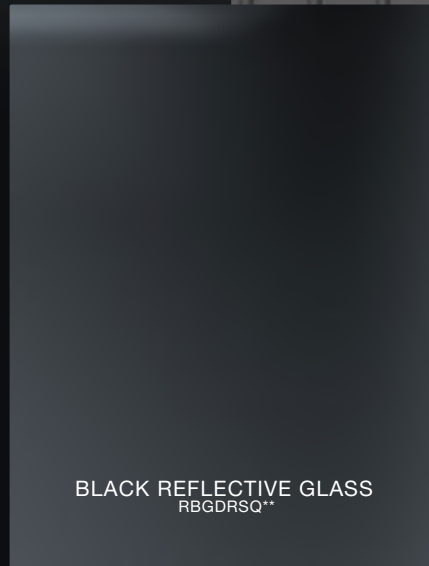
GREY LEDGESTONE  
DRSQBK\*\*GL



ASH FLUTED  
DRSQBK\*\*AF



GREY HERRINGBONE  
DRSQBK\*\*GH



BLACK REFLECTIVE GLASS  
RBGDRSQ\*\*





SPECKLED STONES  
RR\*\*\*SS



COPPER  
HW1143

AMBER  
HW1261

ICE  
HW1157

GLACIER  
HW1219B

PLATINUM  
HW1144

ALABASTER  
HW1260

OBSIDIAN  
HW1113

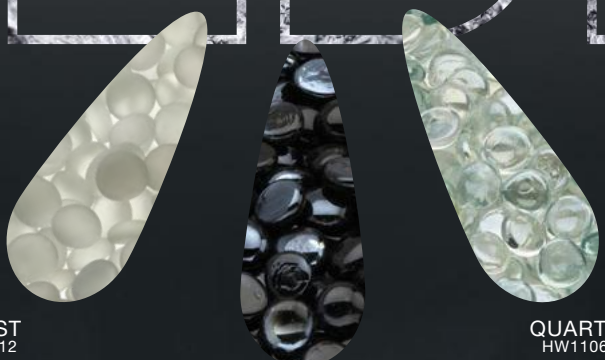
ONYX  
HW1259

# MEDIA



FROST  
HW1112

QUARTZ  
HW1106



EBONY  
HW1091

COALS  
HW1265, HW1266







DELRAY / SQUARE / DRSQ46NI-2 / WINTER SCENE / REFLECTIVE BLACK GLASS

DELRAY / SQUARE / DRSQ38NI-2 / SPLIT OAK LOGSET / TAN BRICK





# Unit Specifications

## ICON LEGEND

AVAILABLE	+	NOT AVAILABLE	-
DEDICATED	◊	STANDARD	◦

	BTU NATURAL GAS	BTU LIQUID PROPANE	VENTING	CLEARANCE TOP - TOP VENT	CLEARANCE REAR - TOP VENT	CLEARANCE SIDES	CLEARANCE BACK	CLEARANCE FLOOR	CLEARANCE MANTEL	FRONT VIEWING AREA	FRONT GLASS TYPE	STANDARD MEDIA	MICRO MESH SAFETY SCREEN	POWERVENT	REMOTE CONTROL	FANS	UPLIGHTING	DOWNLIGHTING
DRSQ34*1-2	18,000	16,000	4"/7"	21	17	0	1½	0	9	29 <sup>11</sup> / <sub>16</sub> " X 18 <sup>7</sup> / <sub>8</sub> "	BOROSILICATE	N/A	◦	+	◦	◦	-	◦
DRSQ34*1	15,500	14,000	4"/7"	21	17	0	1½	0	9	29 <sup>11</sup> / <sub>16</sub> " X 18 <sup>7</sup> / <sub>8</sub> "	BOROSILICATE	N/A	+	+	+	+	-	-
DRSQ38*1-2	24,000	19,500	5"/8" <sup>Δ</sup>	21	17	0	1½	0	6	33 <sup>11</sup> / <sub>16</sub> " X 22 <sup>7</sup> / <sub>8</sub> "	BOROSILICATE	N/A	◦	+	◦	◦	-	◦
DRSQ38*1	20,500	16,500	5"/8" <sup>Δ</sup>	21	17	0	1½	0	6	33 <sup>11</sup> / <sub>16</sub> " X 22 <sup>7</sup> / <sub>8</sub> "	BOROSILICATE	N/A	+	+	+	+	-	-
DRSQ42*1-2	32,500	27,000	5"/8"	28	28	½	1½	0	10	37 <sup>11</sup> / <sub>16</sub> " X 26 <sup>7</sup> / <sub>8</sub> "	BOROSILICATE	N/A	◦	+	◦	◦	-	◦
DRSQ42*1	32,500	27,000	5"/8"	28	28	½	1½	0	10	37 <sup>11</sup> / <sub>16</sub> " X 26 <sup>7</sup> / <sub>8</sub> "	BOROSILICATE	N/A	+	+	+	+	-	-
DRSQ46*1-2	40,000	34,000	5"/8"	35	35	½	1	0	10	41 <sup>11</sup> / <sub>16</sub> " X 30 <sup>7</sup> / <sub>8</sub> "	BOROSILICATE	N/A	◦	+	◦	◦	-	◦
DRSQ46*1	40,000	34,000	5"/8"	35	35	½	1	0	10	41 <sup>11</sup> / <sub>16</sub> " X 30 <sup>7</sup> / <sub>8</sub> "	BOROSILICATE	N/A	+	+	+	+	-	-

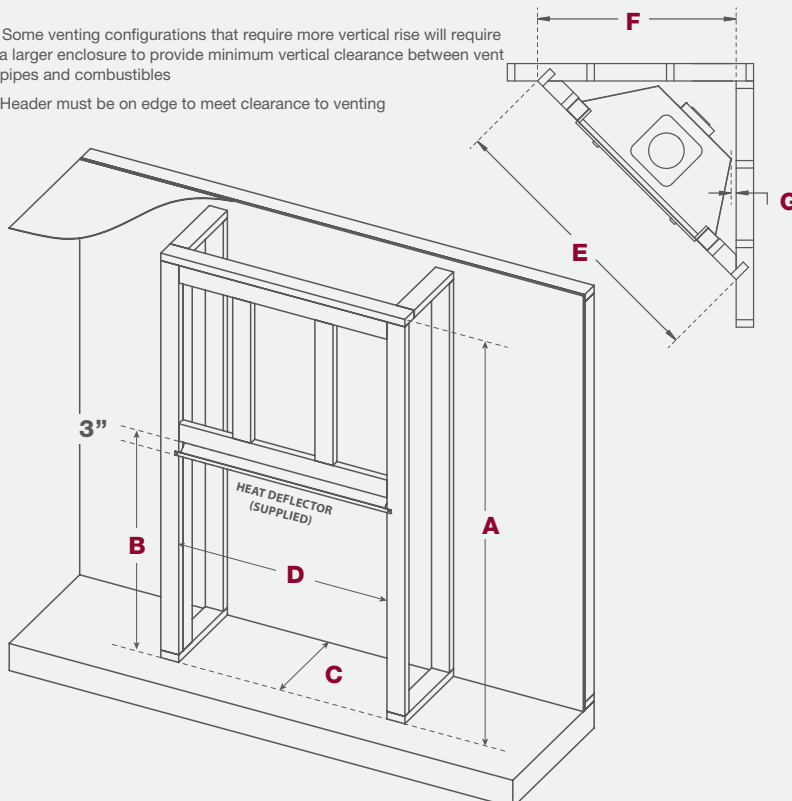
ΔCan be reduced to 4"7"

## DELRAY SQUARE FRAMING (MINIMUM DIMENSIONS)

	A*	B	C	D	E	F	G
DRSQ34	49	40½	18	36	52 <sup>5</sup> / <sub>16</sub>	37 <sup>1</sup> / <sub>16</sub>	1
DRSQ38	62 <sup>1</sup> / <sub>8</sub>	44 <sup>7</sup> / <sub>16</sub>	18	40 <sup>3</sup> / <sub>16</sub>	59¼	41 <sup>7</sup> / <sub>8</sub>	2
DRSQ42	72	51	21	45	62 <sup>1</sup> / <sub>16</sub>	44 <sup>1</sup> / <sub>8</sub>	1
DRSQ46	84	55	22	49	67 <sup>3</sup> / <sub>8</sub>	47 <sup>5</sup> / <sub>8</sub>	1

\* Some venting configurations that require more vertical rise will require a larger enclosure to provide minimum vertical clearance between vent pipes and combustibles

Header must be on edge to meet clearance to venting



## 1976: The Days Before Gas Fireplaces

In 1976, Montigo president and founder, Dan Binzer, started installing zero-clearance wood burning fireplaces for local builders in Vancouver, BC. Over the years, demand grew for a gas alternative, and Dan engineered and manufactured the first ever sandpan logset. The logset was installed in a zero-clearance wood burning fireplaces shell, resulting in one of the first zero-clearance gas fireplaces on the market.

## 1985: Gas Fireplace Manufacturing Begins

Demand for gas grew rapidly, especially among multi-unit developments so Dan Binzer started a company called Canadian Heating that would offer full service design, engineering and manufacturing for gas fireplaces. Under the Montigo brand, Canadian Heating began manufacturing and selling a wide selection of zero-clearance gas fireplaces throughout Canada and in 1985 development began for the latest and greatest in gas fireplace technology – direct venting.

## 1994: Manufacturing Excellence is Achieved

Development and advancement of the gas fireplace continued over the years with continual developments to improve the efficiency of the fireplaces and perfected manufacturing processes to deliver an optimum fireplace each and every time – even for completely custom units.

## Present: Leading the Way with Modern Fireplace Design

As one of the first to bring a linear designed fireplace to market, Montigo now offers the largest selection of linear fireplaces demanded by designers, architects and homeowners wanting to create a modern and contemporary space and homeowners wanting to create a modern and contemporary space.

### **WARNING**

Some materials used in the manufacturing process of this product can expose you to Benzene which is known in the State of California to cause cancer and birth defects or other reproductive harm. For more information go to [www.P65warnings.ca.gov](http://www.P65warnings.ca.gov)

for more inspiration go to  
[www.montigo.com](http://www.montigo.com)

**MONTIGO**<sup>®</sup>  
the art of **fireplaces**



## Our Guarantee

Montigo<sup>®</sup> stands behind the craftsmanship and durability of our products by providing a 15 year warranty on the burner and firebox in all our residential fireplaces.



Printed in Canada

XB2219