

MONTIGO®

PHENOM

PHENOM / PROUDLY HANDCRAFTED IN NORTH AMERICA

P38DF

PL38DF

P42DF

PL42DF

P52DF

PL52DF

L38FSD

L42FSD

L52FSD



PHENOM / LEGACY P + L SERIES



PHENOM / PROUDLY HANDCRAFTED IN NORTH AMERICA

PHENOM

IT STARTS WITH A SPARK

P38, P42, P52
PL38, PL42,
PL52

SINGLE SIDED
DIRECT VENT

QUICK DIMENSIONS

	P38		P42		P52	
	UNIT	FRAM.	UNIT	FRAM.	UNIT	FRAM.
F.WIDTH	37 ¹¹ / ₁₆	37 ³ / ₄	42	42	52	52
B.WIDTH	37 ¹ / ₄	37 ³ / ₄	41 ¹ / ₂	42	47 ³ / ₈	52
HEIGHT	33 ³ / ₄	41 ¹ / ₄	34 ⁵ / ₈	42	36 ³ / ₁₆	43 ³ / ₄
DEPTH	19 ¹ / ₂	20 ¹ / ₈	20 ⁵ / ₈	21 ¹ / ₈	22 ¹ / ₁₆	24 ¹ / ₄
VIEWING	35 ³ / ₁₆ × 19 ¹ / ₂		39 ¹ / ₂ × 20 ³ / ₈		47 × 21 ¹ / ₈	

PHENOM FULL LOAD CONTEMPORARY

Standard

Concealed burner with Quartz firebeads

Multi-function remote control

Remote controlled fans

Black porcelain liner

Halogen uplighting

Remote Hi-Lo flame

Micro mesh screen

Battery backup

Options

Surrounds in satin black or stainless steel

Speckled stones, driftwood, glass media

WiFi phone app control

PHENOM BASIC CONTEMPORARY

Standard

Concealed burner with Ice fireglass

Micro mesh screen

Comes with Proflame 2 BASIC control system

Options

Surrounds in satin black or stainless steel

Speckled stones, driftwood, glass media

Multi-function remote control

Remote controlled fans

Black porcelain liner

Battery backup



BTU LISTING

P*38DF-I-2 / 25,000
P*42DF-I-2 / 32,000
P*52DF-I-2 / 40,000

EFFICIENCY (FE)

P38DFNI-2 / 58%
PL38DFNI / 58%
P38DFLI-2 / 58%
PL38DFLI / 58%

P42DFNI-2 / 57%
PL42DFNI / 57%
P42DFLI-2 / 60%
PL42DFLI / 57%

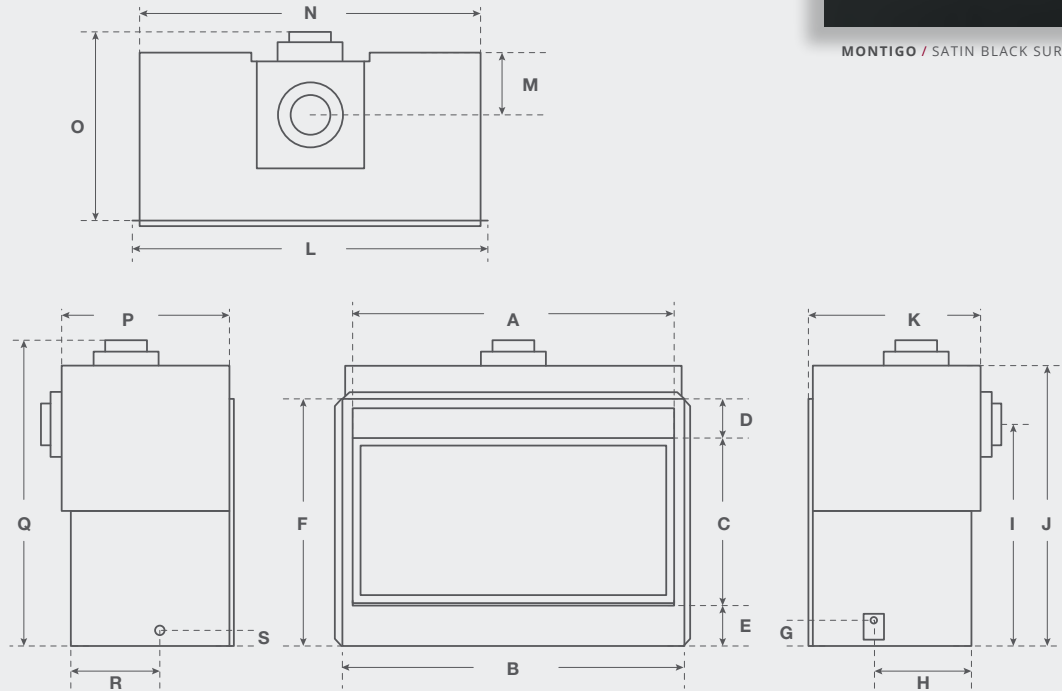
P52DFNI-2 / 59.3%
PL52DFNI / 56%
P52DFLI-2 / 59.3%
PL52DFLI / 59.3%



PHENOM DIMENSIONS

MONTIGO / STAINLESS STEEL SURROUND

MONTIGO / SATIN BLACK SURROUND



	A	B	C	D	E	F	G	H	I	J	K	L	M	N	O	P	Q	R	S
P38	35 ³ / ₁₆	37 ¹ / ₁₆	19 ¹ / ₂	4 ³ / ₈	5 ⁷ / ₁₆	29 ³ / ₁₆	3	13 ³ / ₁₆	26 ³ / ₁₆	33 ³ / ₄	20 ³ / ₁₆	39 ¹ / ₄	71 ⁵ / ₁₆	37 ¹ / ₄	22 ¹ / ₈	19 ¹ / ₂	36 ³ / ₈	11	2
P42	39 ¹ / ₂	42	20 ³ / ₈	4 ¹ / ₁₆	5 ¹ / ₂	30 ³ / ₁₆	3	14 ³ / ₁₆	27 ³ / ₈	34 ³ / ₈	21 ¹ / ₁₆	43 ³ / ₁₆	8	41 ¹ / ₂	23 ¹ / ₈	20 ⁵ / ₈	37 ¹ / ₁₆	12 ¹ / ₁₆	2
P52	47	52	21 ⁷ / ₈	5 ¹ / ₁₆	5 ³ / ₈	33 ³ / ₁₆	3	14 ⁵ / ₈	28 ³ / ₄	36 ³ / ₁₆	22 ¹ / ₁₆	53 ³ / ₈	7 ⁵ / ₁₆	47 ³ / ₈	23 ¹ / ₈	22	39	12 ¹ / ₁₆	2

MONTIGO / PHENOM / PL42 / SPECKLED STONES AND DRIFTWOOD

MONTIGO / PHENOM / PL42 / SAGE FIREBEADS



REMOTE[†]
RX200**



WALL REMOTE[†]
EC1550



WIFI PHONE APP
CONTROL
SIT-WIFI[†]



BLACK PORCELAIN[†]
PPL**



UPLIGHTING[†]

[†]Standard for full load units
^{**}For full load units only



PHENOM / PROUDLY HANDCRAFTED IN NORTH AMERICA

PHENOM

MULTI SIDED

A NEW DIMENSION

PHENOM SEE THROUGH CONTEMPORARY

L38FSD
L42FSD
L52FSD

SEE THROUGH
DIRECT VENT

QUICK DIMENSIONS

	L38FSD		L42FSD		L52FSD	
	UNIT	FRAM.	UNIT	FRAM.	UNIT	FRAM.
F.WIDTH	39 ⁵ / ₁₆	41	43 ³ / ₁₆	45	58 ¹ / ₄	60
B.WIDTH	39 ⁵ / ₁₆	41	43 ³ / ₁₆	45	58 ¹ / ₄	60
HEIGHT	33 ³ / ₁₆	40	33 ³ / ₈	40	34 ¹³ / ₁₆	39
DEPTH	25 ¹ / ₈	23 ³ / ₄	25 ¹ / ₄	23 ³ / ₄	25 ³ / ₁₆	23 ³ / ₄
VIEWING	35 ¹ / ₄ × 19 ³ / ₈		39 ¹ / ₂ × 20 ³ / ₁₆		47 × 21 ¹³ / ₁₆	

Standard

- Contemporary burner with Ice fireglass
- Comes with Proflame 2 BASIC control system
- Micro mesh screen
- Manual Hi-Lo flame control

Options

- Glass media
- Surrounds in satin black or stainless steel
- Multi-function remote control
- Battery backup
- Remote controlled fans
- WiFi phone app control



BTU LISTING

L38FSD** / 27,000
L42FSD** / 34,000
L52FSD** / 40,000

EFFICIENCY (FE)

L38FSDNI / 58%
L38FSDN / 58.6%
L38FSDLI / 59.6%
L38FSDL / 58.6%

L42FSDNI / 57%
L42FSDN / 58%
L42FSDLI / 60%
L42FSDL / 58%

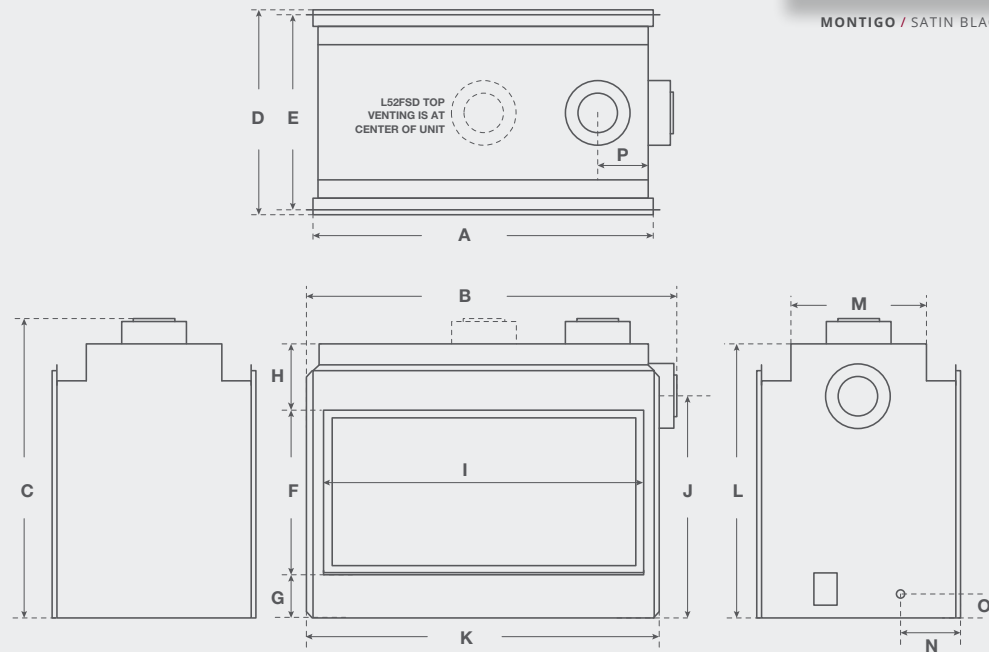
L52FSDNI / 56.99%
L52FSDN / 56.71%
L52FSDLI / 61.2%
L52FSDL / 60%



PHENOM FSD DIMENSIONS

MONTIGO / STAINLESS STEEL SURROUND

MONTIGO / SATIN BLACK SURROUND



	A	B	C	D	E	F	G	H	I	J	K	L	M	N	O	P
L38FSD	37 ³ / ₄	41 ¹ / ₈	36	25 ¹ / ₄	23 ³ / ₈	19 ³ / ₈	5 ¹ / ₂	9	35 ¹ / ₄	26 ⁵ / ₈	39 ³ / ₁₆	33 ³ / ₁₆	18 ⁵ / ₈	7 ³ / ₈	3	6 ¹ / ₄
L42FSD	42	45 ¹ / ₁₆	37	25 ¹ / ₄	23 ³ / ₈	20 ³ / ₁₆	5 ¹ / ₂	8 ³ / ₁₆	39 ¹ / ₂	27 ⁷ / ₁₆	43 ³ / ₁₆	33 ³ / ₈	16 ¹ / ₁₆	7 ³ / ₈	3	6 ¹ / ₄
L52FSD	52	N/A	38 ¹ / ₈	25 ¹ / ₄	23 ³ / ₈	21 ¹ / ₁₆	5 ¹ / ₂	7 ¹ / ₁₆	47	N/A	58 ¹ / ₄	34 ¹ / ₁₆	10 ¹ / ₁₆	7 ³ / ₈	3	29 ¹ / ₈

MONTIGO / PHENOM / L38FSD

MONTIGO / PHENOM / L38FSD / SAGE FIREBEADS



REMOTE[†]
RX100**



WALL REMOTE
EC1550



WIFI PHONE APP
CONTROL
SIT-WIFI[†]

OPTIONS &
FEATURES

[†]Available on IPI ignition units only (other remotes available for standing pilot)



SPECKLED STONES
RR***SS

COPPER
HW1143

AMBER
HW1261

ICE
HW1157

GLACIER
HW1219B

PLATINUM
HW1144

ALABASTER
HW1260

OBSIDIAN
HW1113

ONYX
HW1259

MEDIA

FROST
HW1112

QUARTZ
HW1106

EBONY
HW1091

DRIFTWOOD
LGS***

Unit Specifications

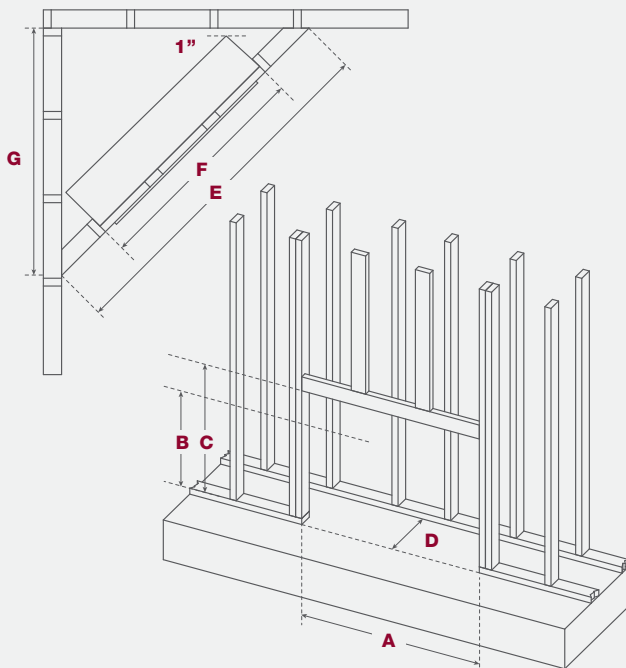
ICON LEGEND

AVAILABLE	+	NOT AVAILABLE	-
DEDICATED	◊	STANDARD	◦

	BTU NATURAL GAS	BTU LIQUID PROPANE	VENTING	CLEARANCE TOP - REAR VENT	CLEARANCE TOP - TOP VENT	CLEARANCE SIDES	CLEARANCE BACK	CLEARANCE FLOOR	FRONT VIEWING AREA	FRONT GLASS TYPE	STANDARD MEDIA	MICRO MESH SCREEN	POWERVENT	REMOTE CONTROL	FANS	UPLIGHTING	DOWNLIGHTING
PL38DF*I	25,000	25,000	5"8"	9	17½	0	0	0	35¾ × 19½	BOROSILICATE	HW1157	◦	+	+	+	-	-
PL42DF*I	32,000	32,000	5"8"	9	17½	0	0	0	39½ × 20¾	BOROSILICATE	HW1157	◦	+	+	+	-	-
PL52DF*I	40,000	40,000	5"10"	12	26	2½	1	0	47 × 21¾	TEMPERED	HW1157	◦	+	+	+	-	-
P38DF*I	25,000	25,000	5"8"	9	17½	0	0	0	35¾ × 19½	BOROSILICATE	HW1106	◦	+	◦	◦	◦	-
P42DF*I	32,000	32,000	5"8"	9	17½	6	0	0	39½ × 20¾	BOROSILICATE	HW1106	◦	+	◦	◦	◦	-
P52DF*I	40,000	40,000	5"10"	12	26	2½	1	0	47 × 21¾	TEMPERED	HW1106	◦	+	◦	◦	◦	-
L38FSD*I	27,000	27,000	5"8"	24	24	6	2	0	35¼ × 19¾	TEMPERED	HW1157	◦	+	+	+	-	-
L42FSD*I	34,000	34,000	5"8"	24	24	6	2	0	39½ × 20¾	TEMPERED	HW1157	◦	+	+	+	-	-
L52FSD*I	40,000	40,000	5"8"	24	24	6	2	0	47 × 21¾	TEMPERED	HW1157	◦	+	+	-	-	-

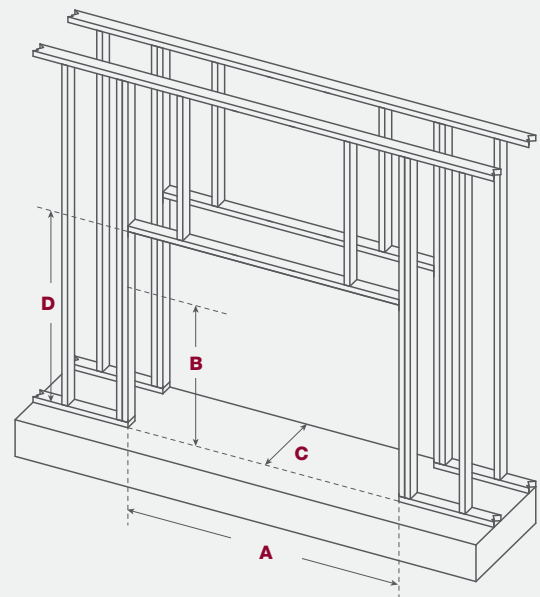
PHENOM SINGLE SIDED FRAMING

	A	B†	C	D	E	F	G
P38	37¾	34¼	41¼	20⅞	76¼	37¾	53⅞
P42	42	35	42	21¾	84½	42	59¾
P52	52	37½	43¾	24½	98	52	64¼



PHENOM SEE THROUGH FRAMING

	A	B†	C	D
P38	41	34½	23¾	40
P42	45	35	23¾	40
P52	59	N/A	23¾	39



† "B" dimension is from grade to non-combustible stud
Header on edge not required if framing meets clearance to venting

1976: The Days Before Gas Fireplaces

In 1976, Montigo president and founder, Dan Binzer, started installing zero-clearance wood burning fireplaces for local builders in Vancouver, BC. Over the years, demand grew for a gas alternative, and Dan engineered and manufactured the first ever sandpan logset. The logset was installed in a zero-clearance wood burning fireplace shell, resulting in one of the first zero-clearance gas fireplaces on the market.

1985: Gas Fireplace Manufacturing Begins

Demand for gas grew rapidly, especially among multi-unit developments so Dan Binzer started a company called Canadian Heating that would offer full service design, engineering and manufacturing for gas fireplaces. Under the Montigo brand, Canadian Heating began manufacturing and selling a wide selection of zero-clearance gas fireplaces throughout Canada and in 1985 development began for the latest and greatest in gas fireplace technology – direct venting.

1994: Manufacturing Excellence is Achieved

Development and advancement of the gas fireplace continued over the years with continual developments to improve the efficiency of the fireplaces and perfected manufacturing processes to deliver an optimum fireplace each and every time – even for completely custom units.

Present: Leading the Way with Modern Fireplace Design

As one of the first to bring a linear designed fireplace to market, Montigo now offers the largest selection of linear fireplaces demanded by designers, architects and homeowners wanting to create a modern and contemporary space and homeowners wanting to create a modern and contemporary space.

WARNING

Some materials used in the manufacturing process of this product can expose you to Benzene which is known in the State of California to cause cancer and birth defects or other reproductive harm. For more information go to www.P65warnings.ca.gov

for more inspiration go to
www.montigo.com

MONTIGO[®]
the art of **fireplaces**



Our Guarantee

Montigo[®] stands behind the craftsmanship and durability of our products by providing a 15 year warranty on the burner and firebox in all our residential fireplaces.



Printed in Canada

XB2217