

MONTIGO®

EXEMPLAR

EXEMPLAR / PROUDLY HANDCRAFTED IN NORTH AMERICA

R320

R420

R520

R720

R820

R320ST

R420ST

R520ST

R620ST

RP620

R324STIO

RP424



EXEMPLAR / LEGACY R SERIES



EXEMPLAR / RP620N / DRIFTWOOD SPECKLED STONES

EXEM



EXEMPLAR / R324STION / SAGE FIREBEADS

INNOVATION, LUXURY AND COMFORT AT ITS FINEST

EXEMPLAR

BALANCED DESIGN IN ELEGANT PROPORTIONS

A flame viewing experience unlike any other. From the sleek linear burners of the Exemplar 820, to the robust towering flames of the RP424, our catalog offers endless choices in flames across a variety of burner media. Montigo's patented COOL-Pack technology is featured in the RP424, creating a cool-to-the-touch glass surface without a safety screen obstructing your view.

EXEMPLAR

EXEMPLAR / RP424PFN DRIFTWOOD SPECKLED STONES

EXEMPLAR / PROUDLY HANDCRAFTED IN NORTH AMERICA



EXEMPLAR PROFESSIONAL GRADE

R320, R420,
R520, R720,
R820

SINGLE SIDED
POWER VENTED

EXEMPLAR CONTEMPORARY

Standard

- Contemporary burner with Ice fireglass
- Tempered glass
- Micro mesh screen
- Power vent control box

Options

- Speckled stones, driftwood, glass media
- Remote control on/off

EXEMPLAR POWER VENTS

Wall Mount

- PVHEX58-300
- PVHEX510-300
- PVHEXD-300

Flush Wall Mount

- PVHFL58-300
- PVHFL510-300
- PVHIN58-300-FS^Δ

Roof Mount

- PVEX58-300
- PVEX510-300

QUICK DIMENSIONS

	R320		R420		R520		R720		R820	
	UNIT	FRAM.	UNIT	FRAM.	UNIT	FRAM.	UNIT	FRAM.	UNIT	FRAM.
F.WIDTH	41 ¹ / ₁₆	55	53 ³ / ₁₆	67	65 ⁹ / ₁₆	77	89 ⁹ / ₁₆	101	101 ¹ / ₁₆	113
B.WIDTH	48 ¹ / ₁₆	55	60 ¹ / ₁₆	67	72 ¹ / ₁₆	77	96 ¹ / ₁₆	101	108 ¹ / ₁₆	113
HEIGHT	38 ¹ / ₁₆	47	38 ¹ / ₁₆	47	39 ¹ / ₁₆	45	40 ¹ / ₁₆	46	40 ¹ / ₁₆	46
DEPTH	21 ¹ / ₈	23 ³ / ₄ [†]	21 ¹ / ₈	23 ³ / ₄ [†]	21 ¹ / ₈	23 ³ / ₄ [†]	21 ¹ / ₈	23 ³ / ₄ [†]	21 ¹ / ₈	23 ³ / ₄ [†]
VIEWING	37 ¹ / ₄ × 16 ¹ / ₈		49 ¹ / ₄ × 16 ¹ / ₈		61 ¹ / ₄ × 18 ¹ / ₈		85 ¹ / ₄ × 18 ¹ / ₈		97 ¹ / ₄ × 18 ¹ / ₈	

[†]Dimension is for rear venting

^ΔPower Vent is for R320 and R420 only

BTU LISTING

R320N / 50,000
R320L / 40,000

R420N / 65,000
R420L / 55,000

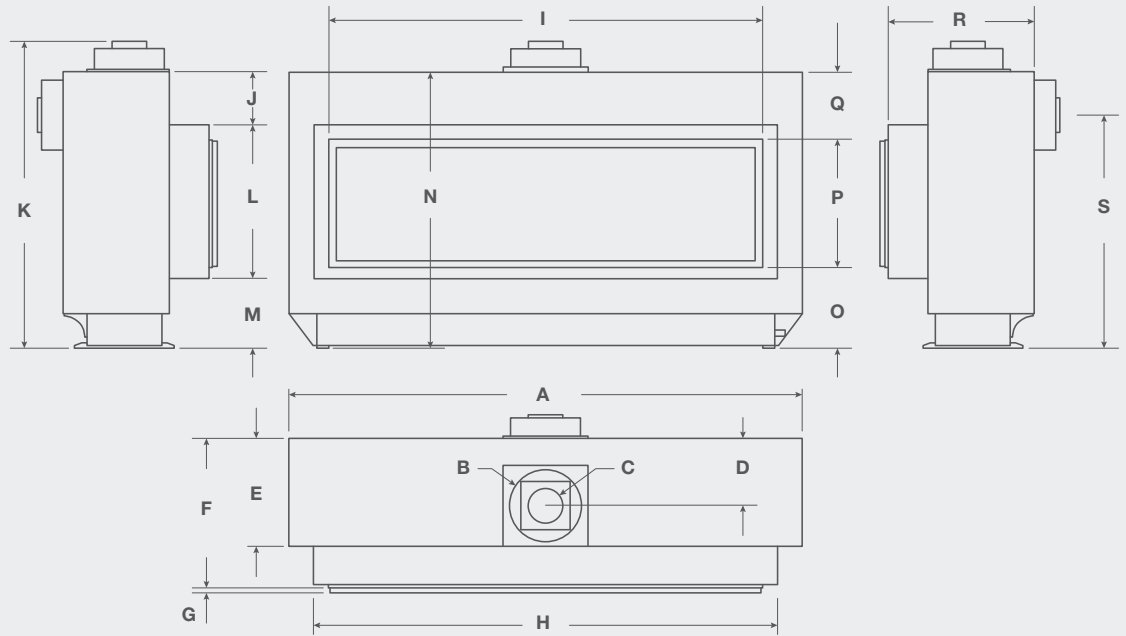
R520N / 80,000
R520L / 65,000

R720N / 100,000
R720L / 80,000

R820N / 100,000
R820L / 80,000

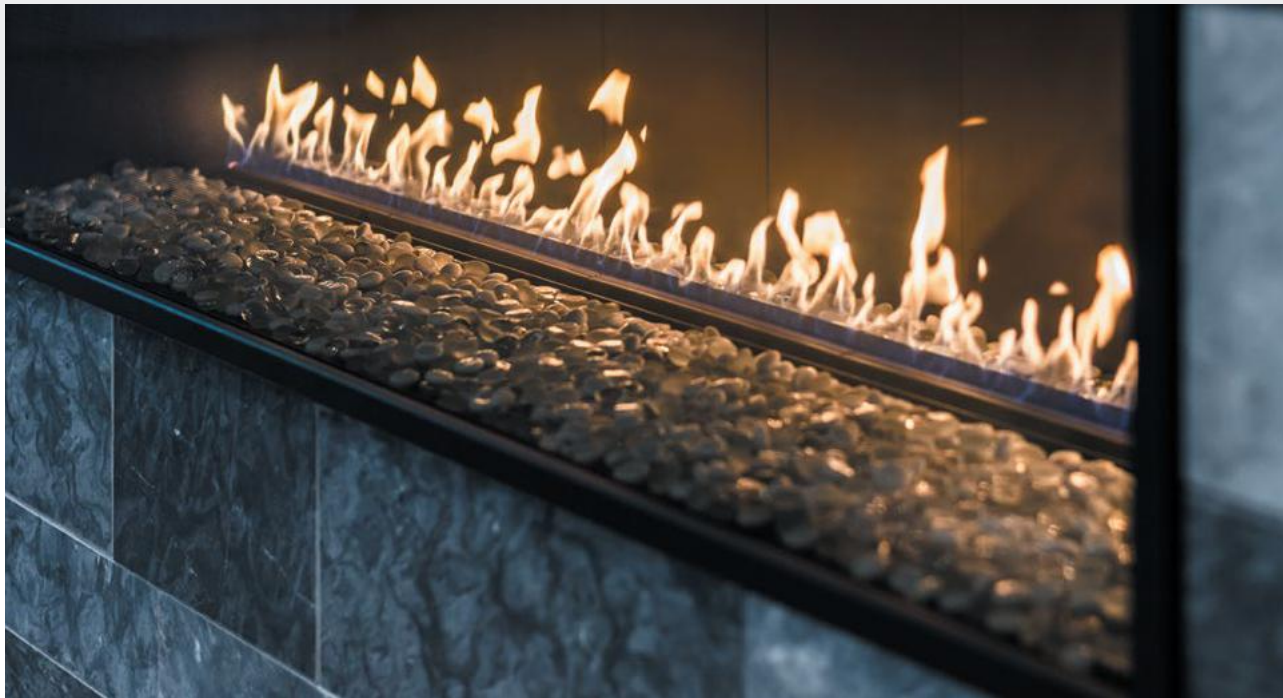


EXEMPLAR DIMENSIONS



	A	B	C	D	E	F	G	H	I	J	K	L	M	N	O	P	Q	R	S
R320	48 $\frac{3}{8}$ "	8	5	9 $\frac{1}{2}$ "	15 $\frac{1}{4}$ "	21 $\frac{1}{8}$ "	7 $\frac{7}{8}$ "	41 $\frac{1}{2}$ "	37 $\frac{1}{4}$ "	7 $\frac{1}{4}$ "	42 $\frac{1}{4}$ "	19 $\frac{3}{4}$ "	10 $\frac{7}{8}$ "	38 $\frac{1}{16}$ "	12 $\frac{3}{8}$ "	16 $\frac{1}{8}$ "	9 $\frac{1}{2}$ "	21 $\frac{1}{8}$ "	32
R420	60 $\frac{5}{8}$ "	8	5	9 $\frac{1}{2}$ "	15 $\frac{1}{4}$ "	21 $\frac{1}{8}$ "	7 $\frac{7}{8}$ "	53 $\frac{1}{2}$ "	49 $\frac{1}{4}$ "	7 $\frac{1}{2}$ "	42 $\frac{1}{4}$ "	19 $\frac{3}{4}$ "	10 $\frac{7}{8}$ "	38 $\frac{1}{16}$ "	12 $\frac{3}{8}$ "	16 $\frac{1}{8}$ "	9 $\frac{1}{2}$ "	21 $\frac{1}{8}$ "	32
R520	72 $\frac{5}{8}$ "	10	5	9 $\frac{1}{2}$ "	15 $\frac{1}{4}$ "	21 $\frac{1}{8}$ "	7 $\frac{7}{8}$ "	65 $\frac{1}{2}$ "	61 $\frac{1}{4}$ "	7 $\frac{1}{2}$ "	43 $\frac{3}{4}$ "	21 $\frac{3}{4}$ "	9 $\frac{7}{8}$ "	39 $\frac{1}{16}$ "	11 $\frac{3}{8}$ "	18 $\frac{3}{8}$ "	9 $\frac{1}{2}$ "	20 $\frac{1}{16}$ "	33
R720	96 $\frac{5}{8}$ "	10	5	9 $\frac{1}{2}$ "	15 $\frac{1}{4}$ "	21 $\frac{1}{8}$ "	7 $\frac{7}{8}$ "	89 $\frac{1}{2}$ "	85 $\frac{1}{4}$ "	7 $\frac{1}{2}$ "	43 $\frac{3}{4}$ "	21 $\frac{3}{4}$ "	10 $\frac{7}{8}$ "	40 $\frac{1}{16}$ "	12 $\frac{3}{8}$ "	18 $\frac{3}{8}$ "	9 $\frac{1}{2}$ "	20 $\frac{1}{16}$ "	34
R820	108 $\frac{5}{8}$ "	10	5	9 $\frac{1}{2}$ "	15 $\frac{1}{4}$ "	21 $\frac{1}{8}$ "	7 $\frac{7}{8}$ "	101 $\frac{1}{2}$ "	97 $\frac{1}{4}$ "	7 $\frac{1}{2}$ "	43 $\frac{3}{4}$ "	21 $\frac{3}{4}$ "	10 $\frac{7}{8}$ "	40 $\frac{1}{16}$ "	12 $\frac{3}{8}$ "	18 $\frac{3}{8}$ "	9 $\frac{1}{2}$ "	20 $\frac{1}{16}$ "	34

MONTIGO / EXEMPLAR / R420 / SAGE FIREBEADS



OPTIONS & FEATURES



REMOTE ON/OFF
RXM40VAC

EXEMPLAR / PROUDLY HANDCRAFTED IN NORTH AMERICA



Features

Frameless window design

Convertible to top or rear flue vent

Compatible with 24VAC home automation systems

EXEMPLAR

LUXURY AND COMFORT

EXEMPLAR RP620 CONTEMPORARY

EXEMPLAR POWER VENTS

RP620

SINGLE SIDED POWER VENTED

Standard

Concealed burner with Quartz firebeads

Black porcelain liner

Micro mesh screen

Halogen uplighting

Options

Speckled stones, driftwood, glass media

Remote control on/off

Wall Mount

PVHEX58-300

PVHEX510-300

PVHEXD-300

Flush Wall Mount

PVHFL58-300

PVHFL510-300

PVHIN58-300-FS

Roof Mount

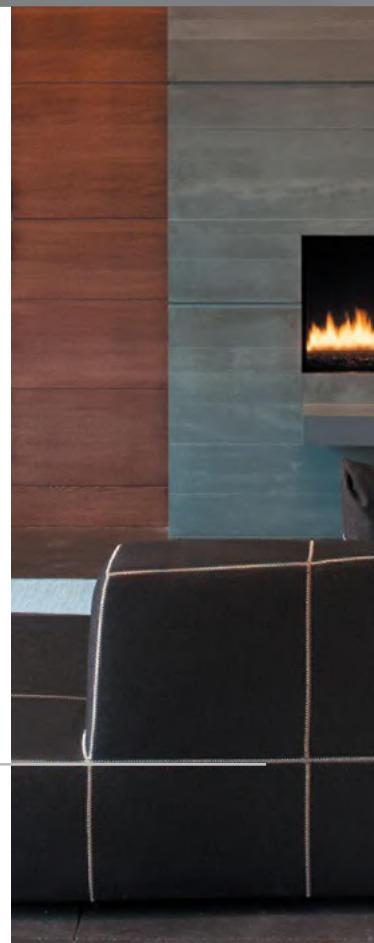
PVEX58-300

PVEX510-300

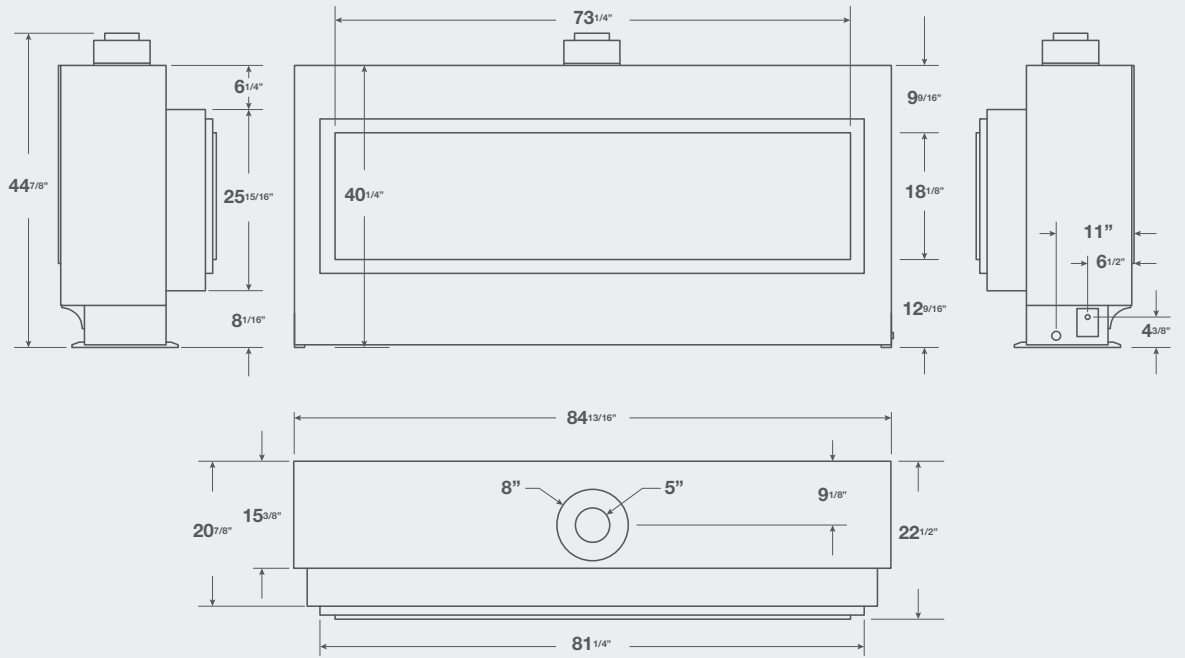
QUICK DIMENSIONS

RP620	UNIT	FRAM.
F.WIDTH	84 ¹³ / ₁₆	96
B.WIDTH	84 ¹³ / ₁₆	96
HEIGHT	44 ⁷ / ₈	54
DEPTH	22 ¹ / ₂	26
VIEWING	73 ¹ / ₄ ×	18 ¹ / ₈

BTU LISTING
 RP620N / 75,000
 RP620L / 70,000



EXEMPLAR RP620 DIMENSIONS



MONTIGO / EXEMPLAR / RP620N / OBSIDIAN FIREGLASS



MONTIGO / EXEMPLAR / RP620N / DRIFTWOOD SPECKLED STONES

OPTIONS & FEATURES



REMOTE ON/OFF
RXM40VAC



BLACK PORCELAIN[†]



UPLIGHTING[‡]

[†]Optional on RP620
[‡]Standard on RP620



EXEMPLAR / PROUDLY HANDCRAFTED IN NORTH AMERICA

EXEMPLAR

MULTI SIDED

A NEW VIEW

R320ST
R420ST
R520ST
R620ST

EXEMPLAR CONTEMPORARY

Standard

- Contemporary burner with Ice fireglass
- Tempered glass
- Micro mesh screen
- Power vent control box

Options

- Speckled stones, driftwood, glass media
- Indoor outdoor kit
- Remote control on/off

EXEMPLAR POWER VENTS

Wall Mount

- PVHEX58-300
- PVHEX510-300
- PVHEXD-300

Flush Wall Mount

- PVHFL58-300
- PVHFL510-300
- PVHIN58-300-FS^A

Roof Mount

- PVVEX58-300
- PVVEX510-300

QUICK DIMENSIONS

	R320ST		R420ST		R520ST		R620ST	
	UNIT	FRAM.	UNIT	FRAM.	UNIT	FRAM.	UNIT	FRAM.
F.WIDTH	41½	56 ¹³ / ₁₆	53½	68 ¹³ / ₁₆	65½	80 ¹³ / ₁₆	77½	92 ¹³ / ₁₆
B.WIDTH	50 ¹³ / ₁₆	56 ¹³ / ₁₆	62 ¹³ / ₁₆	68 ¹³ / ₁₆	74 ¹³ / ₁₆	80 ¹³ / ₁₆	86 ¹³ / ₁₆	92 ¹³ / ₁₆
HEIGHT	45 ⁷ / ₈	47	45 ⁷ / ₈	47	45 ⁷ / ₈	47	45 ⁷ / ₈	47
DEPTH	24 ⁵ / ₈	23¾	24 ⁵ / ₈	23¾	24 ⁵ / ₈	23¾	24 ⁵ / ₈	23¾
VIEWING	37¼ x 16½		49¼ x 16½		61¼ x 18½		73¼ x 18½	

^APower Vent is for R320ST and R420ST only

BTU LISTING

R320STN / 45,000
R320STL / 42,000

R420STN / 55,000
R420STL / 55,000

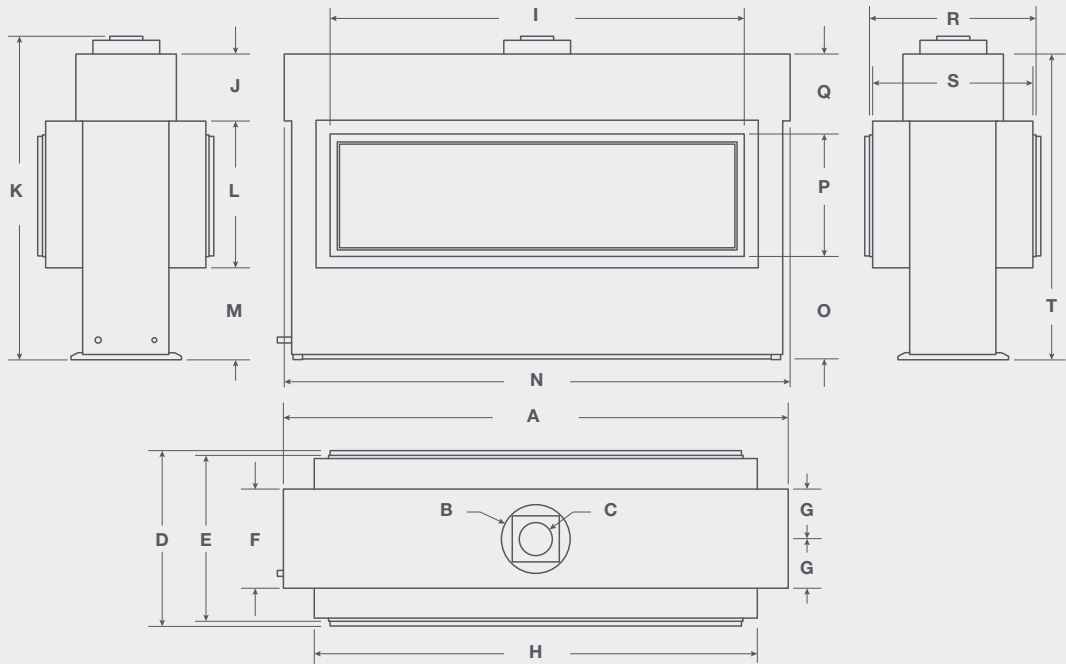
R520STN / 80,000
R520STL / 80,000

R620STN / 100,000
R620STL / 100,000

MONTIGO / EXEMPLAR / R520ST / SAGE FIREBEADS



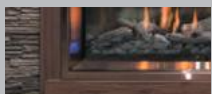
EXEMPLAR DIMENSIONS



	A	B	C	D	E	F	G	H	I	J	K	L	M	N	O	P	Q	R	S
R320	50 $\frac{3}{8}$ "	8	5	26 $\frac{3}{8}$ "	24 $\frac{3}{8}$ "	15	7 $\frac{1}{16}$ "	41 $\frac{1}{2}$ "	37 $\frac{1}{8}$ "	9 $\frac{13}{16}$ "	45 $\frac{7}{8}$ "	19 $\frac{3}{4}$ "	13 $\frac{3}{8}$ "	50 $\frac{13}{16}$ "	15 $\frac{1}{8}$ "	16 $\frac{1}{8}$ "	12	24 $\frac{3}{8}$ "	23 $\frac{3}{8}$ "
R420	62 $\frac{7}{8}$ "	8	5	26 $\frac{3}{8}$ "	24 $\frac{3}{8}$ "	15	7 $\frac{1}{16}$ "	53 $\frac{1}{2}$ "	49 $\frac{1}{4}$ "	9 $\frac{13}{16}$ "	45 $\frac{7}{8}$ "	19 $\frac{3}{4}$ "	13 $\frac{3}{8}$ "	62 $\frac{13}{16}$ "	15 $\frac{1}{8}$ "	16 $\frac{1}{8}$ "	12	24 $\frac{3}{8}$ "	23 $\frac{3}{8}$ "
R520	74 $\frac{7}{8}$ "	10	5	26 $\frac{3}{8}$ "	24 $\frac{3}{8}$ "	15	7 $\frac{1}{16}$ "	65 $\frac{1}{2}$ "	61 $\frac{1}{4}$ "	9 $\frac{13}{16}$ "	45 $\frac{7}{8}$ "	19 $\frac{3}{4}$ "	13 $\frac{3}{8}$ "	74 $\frac{13}{16}$ "	15 $\frac{1}{8}$ "	16 $\frac{1}{8}$ "	12	24 $\frac{3}{8}$ "	23 $\frac{3}{8}$ "
R620	86 $\frac{7}{8}$ "	10	5	26 $\frac{3}{8}$ "	24 $\frac{3}{8}$ "	15	7 $\frac{1}{16}$ "	77 $\frac{1}{2}$ "	73 $\frac{1}{4}$ "	9 $\frac{13}{16}$ "	45 $\frac{7}{8}$ "	19 $\frac{3}{4}$ "	13 $\frac{3}{8}$ "	86 $\frac{13}{16}$ "	15 $\frac{1}{8}$ "	16 $\frac{1}{8}$ "	12	24 $\frac{3}{8}$ "	23 $\frac{3}{8}$ "



OPTIONS & FEATURES



INDOOR
OUTDOOR KIT
IOSK*



REMOTE ON/OFF
RXM40VAC

Features

Built in power vent system
requires no venting



EXEMPLAR / PROUDLY HANDCRAFTED IN NORTH AMERICA

EXEMPLAR
MULTI SIDED

A WINDOW TO LUXURY

EXEMPLAR R324
CONTEMPORARY

R324 STIO

INDOOR-OUTDOOR
INTERNAL POWER VENTED

Standard

Concealed burner with
Ice fireglass

Sealing frame for
outside glass

Micro mesh screen

Options

Black porcelain liner

Speckled stones,
driftwood, glass media

QUICK DIMENSIONS

R324STIO	UNIT	FRAM.
F.WIDTH	48 ³ / ₈	49
B.WIDTH	48 ³ / ₈	49
HEIGHT	45	48
DEPTH	21 ⁵ / ₈	n/a
VIEWING	35 ³ / ₄ × 23 ³ / ₈	

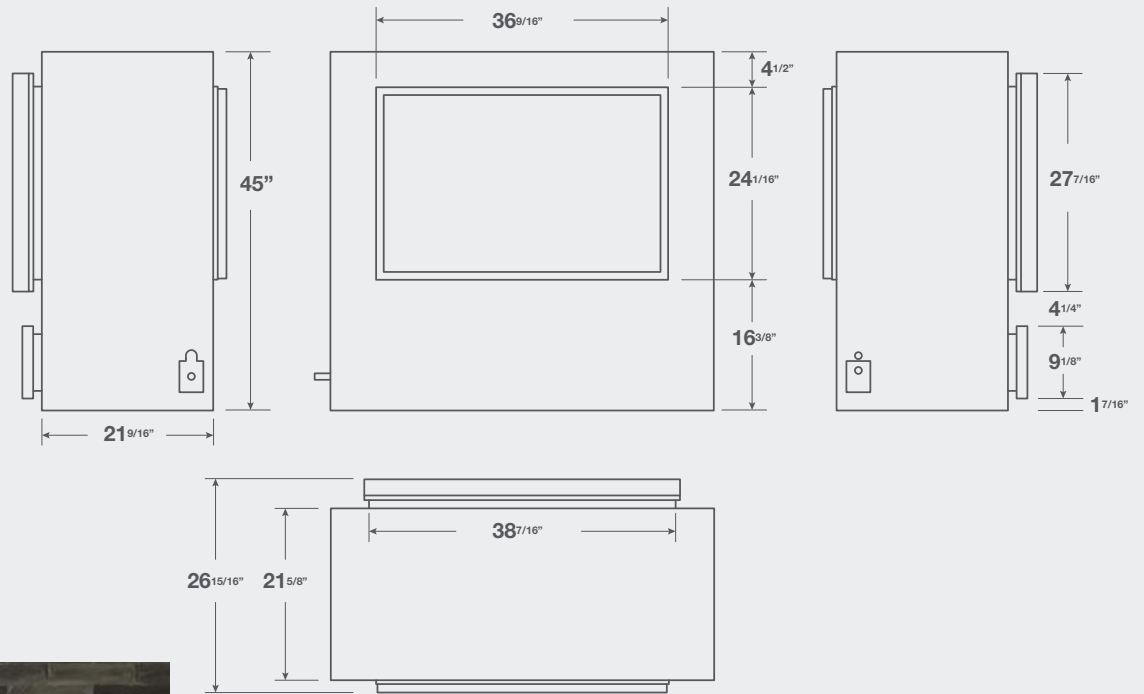
BTU LISTING

R324STION / 50,000
R324STIOL / 50,000





EXEMPLAR DIMENSIONS



MONTIGO / EXEMPLAR / R324STION / DRIFTWOOD SPECKLED STONES



MONTIGO / EXEMPLAR / R324STION / DRIFTWOOD SPECKLED STONES

OPTIONS &
FEATURES



BLACK PORCELAIN
PPR324

Features

Zero clearance to combustibles

Frameless window design

EXEMPLAR / PROUDLY HANDCRAFTED IN NORTH AMERICA

EXEMPLAR

MULTI SIDED

PREMIUM PIER

RP424

PIER
POWER VENTED

EXEMPLAR RP424
CONTEMPORARY

Standard

- Concealed burner
- Halogen uplighting
- Reflective firebox liner
- Speckled stones or glass media

Options

- Driftwood logset
- Remote control on/off

EXEMPLAR
POWER VENTS

Wall Mount

- PVHEX58-300
- PVHEXD-300

Flush Wall Mount

- PVHFL58-300

Roof Mount

- PVVEX58-300

QUICK DIMENSIONS

RP424	UNIT	FRAM.
F.WIDTH	66½	68½
B.WIDTH	66½	24
HEIGHT	53	53
DEPTH	24	24
VIEWING	24 x 48	

BTU LISTING

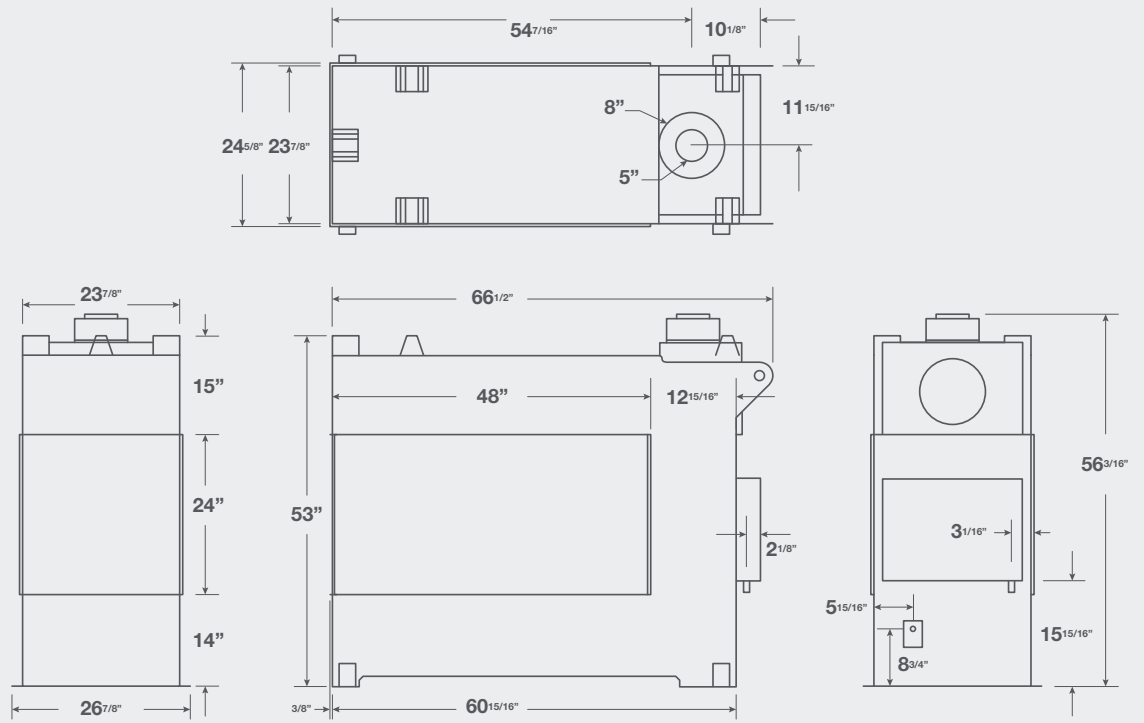
RP424PFN / 45,000
RP424PFL / 45,000

MONTIGO / EXEMPLAR / RP424PFN / DRIFTWOOD SPECKLED STONES





EXEMPLAR DIMENSIONS



OPTIONS & FEATURES



REMOTE ON/OFF
RXM40VAC



SPECKLED STONES
SS***



COPPER
HW1143

AMBER
HW1261

ICE
HW1157

GLACIER
HW1219B

PLATINUM
HW1144

ALABASTER
HW1260

OBSIDIAN
HW1113

ONYX
HW1259

MEDIA

FROST
HW1112

QUARTZ
HW1106

EBONY
HW1091

DRIFTWOOD
LGS***



See Montigo pricepages for exact ordering codes and quantities needed
Speckled stones and driftwood not available on all units, see pricepages for details

Unit Specifications

ICON LEGEND

AVAILABLE	+	NOT AVAILABLE	-
DEDICATED	◊	STANDARD	◦

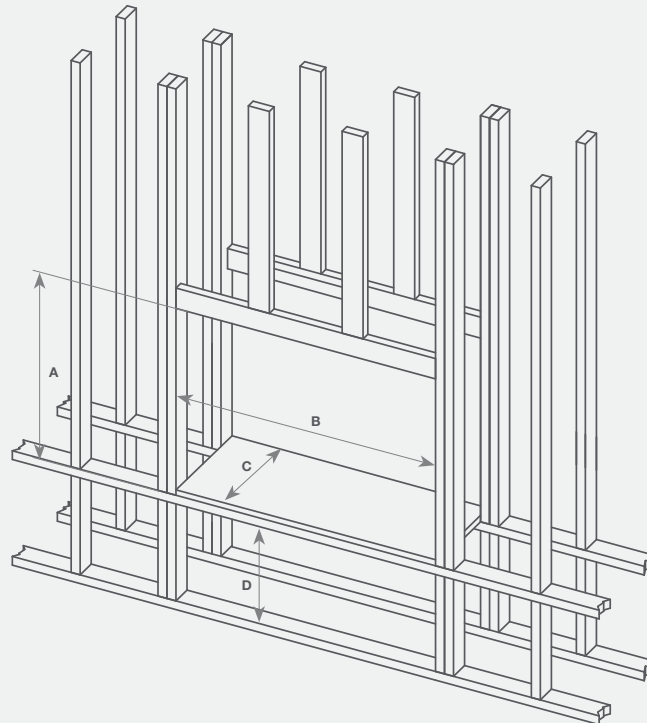
	BTU NATURAL GAS	BTU LIQUID PROPANE	VENTING	CLEARANCE TOP - REAR VENT	CLEARANCE TOP - TOP VENT	CLEARANCE SIDES	CLEARANCE BACK	CLEARANCE FLOOR	FRONT VIEWING AREA	STANDARD MEDIA	FRONT GLASS TYPE	MICRO MESH SCREEN	POWERVENT	REMOTE CONTROL FANS	UPLIGHTING	DOWNLIGHTING
R320	50,000	40,000	5"8"	24	24	6	2	0	37¼ × 16½	HW1157	TEMPERED	◦	◊	-	-	-
R420	65,000	55,000	5"8"	24	24	6	2	0	49¼ × 16½	HW1157	TEMPERED	◦	◊	-	-	-
R520	80,000	65,000	5"10"	24	24	6	2	0	61¼ × 18½	HW1157	TEMPERED	◦	◊	-	-	-
R620ST	100,000	100,000	5"10"	26	26	3	2	0	85¼ × 18½	HW1157	TEMPERED	◦	◊	-	-	-
RP620	75,000	70,000	5"8"	25¾	25¾	5½	4	0	73¼ × 18½	HW1157	NEOCERAMIC	◦	◊	-	-	◦
R720	100,000	80,000	5"10"	24	24	6	2	0	85¼ × 18½	HW1157	TEMPERED	◦	◊	-	-	-
R820	100,000	80,000	5"10"	24	24	6	2	0	97¼ × 18½	HW1157	TEMPERED	◦	◊	-	-	-
R324	50,000	50,000	N/A	3	3	½	N/A	0	35¼ × 26¾	HW1157	TEMPERED	◦	◦	-	-	-
RP424	45,000	45,000	5"8"	0	0	0	0	0	35¼ × 26¾	N/A	TEMPERED	-	◊	-	-	◦

EXEMPLAR FRAMING

	A	B	C	D
R320	47	55	23¾ [†]	0
R420	47	67	23¾ [†]	0
R520	45	77	23¾ [†]	0
RP620	54	96	26 [†]	0
R720	46	101	23¾ [†]	0
R820	46	113	23¾ [†]	0

EXEMPLAR ST FRAMING

	A	B	C	D
R320ST	47	56 ¹³ / ₁₆	23¾	0
R324	48	49	N/A	10
R420ST	47	68 ¹³ / ₁₆	23¾	0
R520ST	47	80 ¹³ / ₁₆	23¾	0
R620ST	47	92 ¹³ / ₁₆	23¾	0



See instruction manual for detailed instructions

Header on edge not required if framing meets clearance to venting

[†]Dimension is to back wall or back studs

1976: The Days Before Gas Fireplaces

In 1976, Montigo president and founder, Dan Binzer, started installing zero-clearance wood burning fireplaces for local builders in Vancouver, BC. Over the years, demand grew for a gas alternative, and Dan engineered and manufactured the first ever sandpan logset. The logset was installed in a zero-clearance wood burning fireplace shell, resulting in one of the first zero-clearance gas fireplaces on the market.

1985: Gas Fireplace Manufacturing Begins

Demand for gas grew rapidly, especially among multi-unit developments so Dan Binzer started a company called Canadian Heating that would offer full service design, engineering and manufacturing for gas fireplaces. Under the Montigo brand, Canadian Heating began manufacturing and selling a wide selection of zero-clearance gas fireplaces throughout Canada and in 1985 development began for the latest and greatest in gas fireplace technology – direct venting.

1994: Manufacturing Excellence is Achieved

Development and advancement of the gas fireplace continued over the years with continual developments to improve the efficiency of the fireplaces and perfected manufacturing processes to deliver an optimum fireplace each and every time – even for completely custom units.

Present: Leading the Way with Modern Fireplace Design

As one of the first to bring a linear designed fireplace to market, Montigo now offers the largest selection of linear fireplaces demanded by designers, architects and homeowners wanting to create a modern and contemporary space and homeowners wanting to create a modern and contemporary space.

WARNING

Some materials used in the manufacturing process of this product can expose you to Benzene which is known in the State of California to cause cancer and birth defects or other reproductive harm. For more information go to www.P65warnings.ca.gov

for more inspiration go to
www.montigo.com

MONTIGO[®]
the art of **fireplaces**



Our Guarantee

Montigo[®] stands behind the craftsmanship and durability of our products by providing a 15 year warranty on the burner and firebox in all our residential fireplaces.



Printed in Canada

XB2214