



Features

Compatible with the Cool Wall Advantage kit

Certain size models meet requirements for efficiency rebates

DISTINCTION / PROUDLY HANDCRAFTED IN NORTH AMERICA

DISTINCTION PERFORMANCE & DESIGN

DISTINCTION FULL LOAD CONTEMPORARY

D3615
D4815
D6315
D7215

SINGLE SIDED
DIRECT VENT

Standard

Concealed burner with Ice fireglass

Multi-function remote control

Remote Hi-Lo flame control[†]

Remote controlled fans

Micro mesh screen

Black reflective glass

Multicolor LED uplighting

Battery backup

Options

Cool Wall Advantage

Propane conversion kit

Adjustable trim kit

Fluted liners

WiFi phone app control

[†]30% turndown, 50% turndown for D6315

QUICK DIMENSIONS

	D3615		D4815		D6315		D7215	
	UNIT	FRAM.	UNIT	FRAM.	UNIT	FRAM.	UNIT	FRAM.
WIDTH	51 ⁷ / ₈	59 ³ / ₄	63 ⁷ / ₈	71 ³ / ₄	72 ⁷ / ₈	79 ¹ / ₂	87 ⁷ / ₈	95 ³ / ₄
HEIGHT	41	49 ¹³ / ₁₆	41	49 ¹³ / ₁₆	33 ³ / ₁₆	50 ³ / ₈	43 ³ / ₈	59 ³ / ₈
DEPTH	16 ⁷ / ₈	17 ¹ / ₂	16 ⁷ / ₈	17 ¹ / ₂	16 ¹ / ₂	18	17 ⁷ / ₈	18 ¹ / ₂
VIEWING	36 x 15 ¹ / ₂		48 x 15 ¹ / ₂		63 x 14		73 ⁷ / ₈ x 15 ¹ / ₂	

BTU LISTING

D3615***I**-2 / 35,000
D4815***I**-2 / 40,000
D6315***I**-2 / 50,000
D7215***I**-2 / 57,000

EFFICIENCY P.4. 1-15

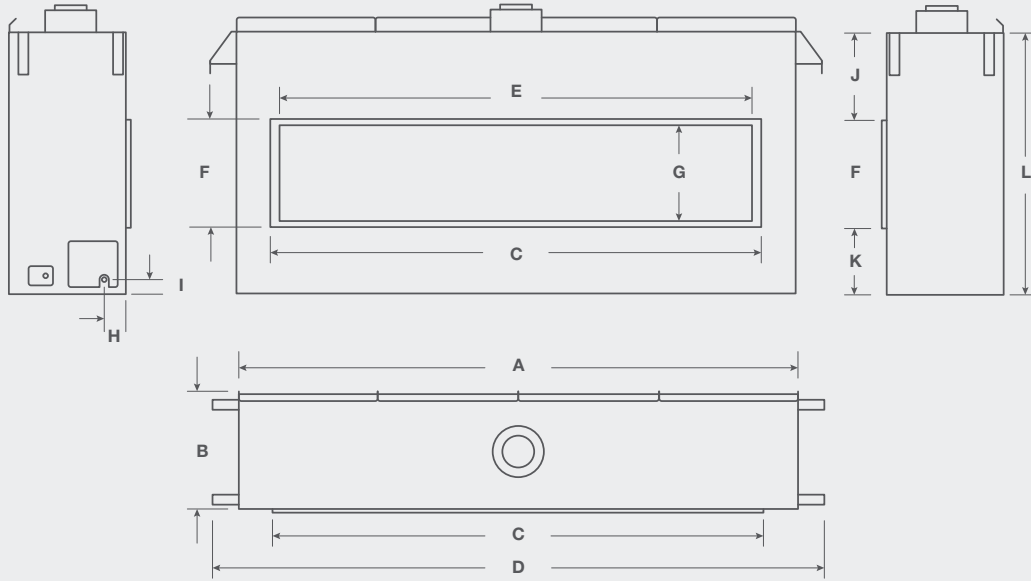
D3615**NI**-2 / 71.96%
D3615**LI**-2 / 70.48%
D4815**NI**-2 / 77.49%
D4815**LI**-2 / 76.58%

D6315**NI**-2 / 62.69%
D6315**LI**-2 / 60.49%

D7215**NI**-2 / 73.86%
D7215**LI**-2 / 74.54%



DISTINCTION DIMENSIONS



	A	B	C	D	E	F	G	H	I	J	K	L
D36	51 $\frac{1}{8}$	16 $\frac{7}{8}$	40 $\frac{3}{4}$	59 $\frac{3}{4}$	37 $\frac{7}{8}$	17	15 $\frac{1}{2}$	6 $\frac{1}{8}$	2 $\frac{3}{8}$	13 $\frac{5}{8}$	10 $\frac{3}{8}$	41
D48	63 $\frac{3}{8}$	16 $\frac{7}{8}$	52 $\frac{13}{16}$	71 $\frac{3}{4}$	49 $\frac{7}{8}$	17	15 $\frac{1}{2}$	6 $\frac{1}{8}$	2 $\frac{3}{8}$	13 $\frac{5}{8}$	10 $\frac{3}{8}$	41
D63	72 $\frac{7}{8}$	16	65 $\frac{13}{16}$	79 $\frac{1}{2}$	63 $\frac{1}{16}$	16 $\frac{1}{2}$	14	7	2 $\frac{1}{2}$	6	10 $\frac{3}{8}$	33 $\frac{3}{16}$
D72	87 $\frac{7}{8}$	17 $\frac{7}{8}$	76 $\frac{3}{4}$	95 $\frac{1}{16}$	73 $\frac{7}{8}$	17	15 $\frac{1}{2}$	5 $\frac{1}{2}$	2 $\frac{3}{8}$	13 $\frac{5}{8}$	10 $\frac{3}{8}$	41



MONTIGO / DISTINCTION / D6315 / ICE FIREGLASS



MONTIGO / DISTINCTION / D4815 / ICE FIREGLASS

OPTIONS & FEATURES

REMOTE[†]
RX200**

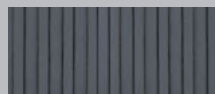
WALL REMOTE
EC1550

WIFI PHONE APP
CONTROL
SIT-WIFI[†]

TRIM KIT[†]
DT**

UPLIGHTING[†]
MCLEDDL63

LINERS



ASH FLUTED
DBK**AF



TUSCAN FLUTED
DBK**TF



BLACK GLASS[†]
RBGD63

[†]Standard on Distinction units

HOW IT WORKS

Heat is pulled by natural convection through a series of 5" flex vents attached to the top of the fireplace. The heat is then discharged through a TV plenum, horizontal, or vertical, sidewall kit. By routing excess heat this way, we can reduce the temperatures that may damage artwork or electronics mounted above your fireplace.



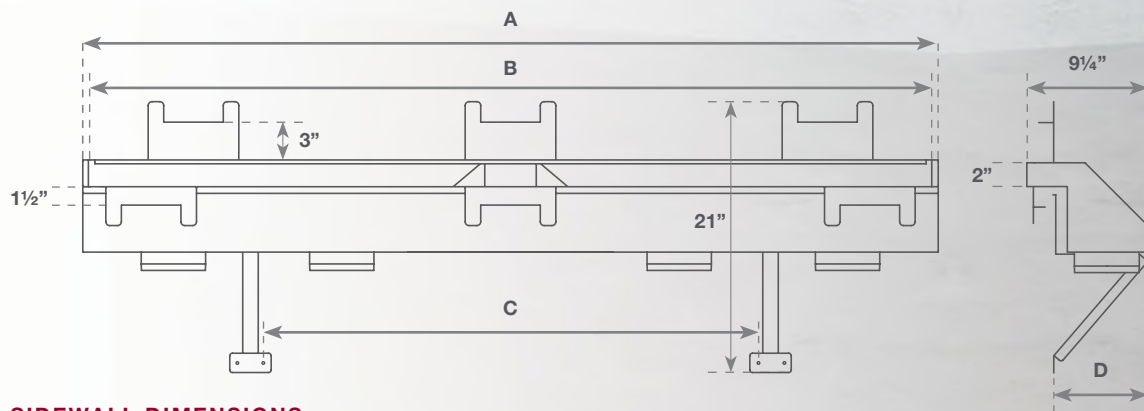
Cool Wall Advantage

Diverting heat away from the wall, keeping your TV or artwork safe

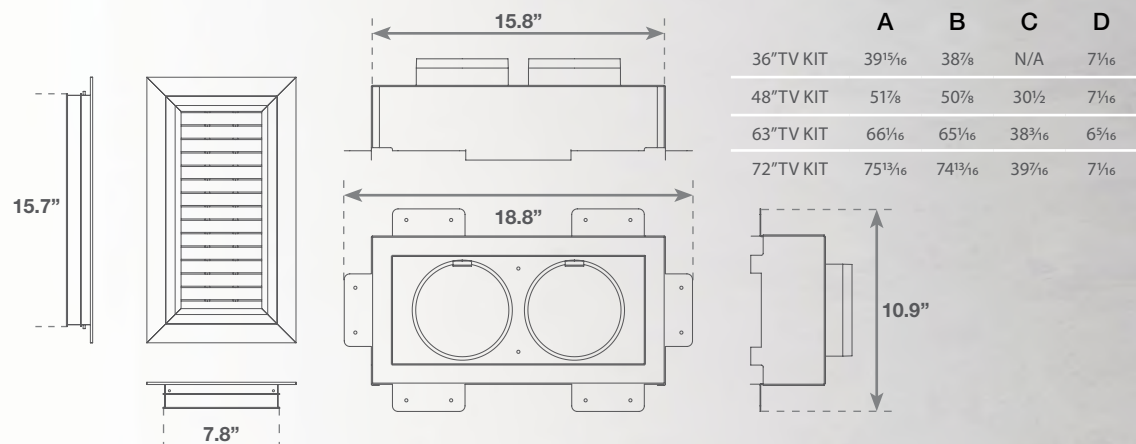
As heater rated fireplaces, the Distinction Series produces a generous amount of heat that requires the chase to be vented. The most elegant and efficient way to do this is with the Montigo Cool Wall Advantage system.

Cool Wall Advantage TV and sidewall kit plenums are finished with aluminum and are ready to match any interior with your choice of high temperature paint.

COOL WALL KIT DIMENSIONS



SIDEWALL DIMENSIONS



OTHER CONSIDERATIONS

Designed not only for protecting art and electronics, delicate facing materials such as marble and granite benefit from the lower surface temperatures generated from a Cool Wall Advantage Kit.

Image shown is for example purposes only, please refer to your installation manual for recommendations on framing, recesses and surface temperatures.

Sidewall kits include

2 Louvers

2 Plenums

Collars

Requires flex venting

SIDEWALL KIT CODES

HORIZONTAL WALL KIT / HDKSD

VERTICAL WALL KIT / HDKSVD

TV kits include

Louver

Plenum

Collars

Requires flex venting

TV KIT CODES

36" WALL KIT / HDKPD36

48" WALL KIT / HDKPD48

63" WALL KIT / HDKPD63

72" WALL KIT / HDKPD72

190°F / 87°C Heat Vent

Heat is diverted through the Cool Wall Advantage kit, safely bypassing the space above the fireplace.

100°F / 38°C Cool Wall*

Wall temperature is cool, creating an area safer for mounting a TV, or hanging artwork.

550°F / 287°C Glass*

Reduced glass temperature, combined with the provided screen creates a safe viewing area.

* 100°F / 38°C temperature taken at 30" above fireplace opening

* Subject to measurement technique or fireplace/vent setup

Unit Specifications

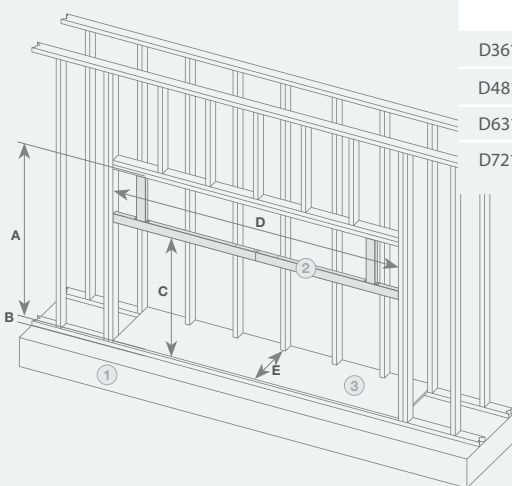
ICON LEGEND

AVAILABLE	+	NOT AVAILABLE	-
DEDICATED	◊	STANDARD	◦

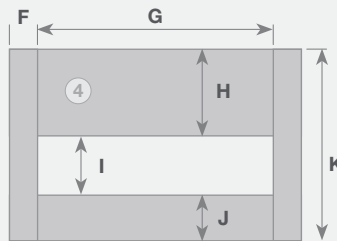
	BTU NATURAL GAS	BTU LIQUID PROPANE	GAS SUPPLY PRESSURE NG (SHOWN IN W.C.) LP (SHOWN IN W.C.)		VENTING	CLEARANCE SIDES	CLEARANCE BACK	CLEARANCE FLOOR	FRONT VIEWING AREA	FRONT GLASS TYPE	STANDARD MEDIA	POWERVENT	REMOTE CONTROL	FANS	UPLIGHTING	DOWNLIGHTING
D3615*1-2	35,000	35,000	11	13.8	5"/8" ^{na}	4	½	0	36 X 14%	CERAMIC	HW1157	+	◦	◦	◦	-
D4815*1-2	40,000	40,000	11	13.8	5"/8" ^{na}	4	½	0	48 X 14%	BOROSILICATE	HW1157	+	◦	◦	◦	-
D6315*1-2	50,000	50,000	11	13.8	5"/8"	3½	2	0	63½ X 14	BOROSILICATE	HW1157	+	◦	◦	◦	-
D7215*1-2	57,000	57,000	11	13.8	5"/8"	4	½	0	73¾ X 15½	NEOCERAMIC	HW1157	+	◦	◦	◦	-
D3615ST*1-2	35,000	35,000	11	13.8	5"/8" ^{na}	4	½	0	36 X 14%	CERAMIC	HW1157	+	◦	-	◦	-
D4815ST*1-2	40,000	40,000	11	13.8	5"/8" ^{na}	4	½	0	48 X 14%	BOROSILICATE	HW1157	+	◦	-	◦	-
D6315ST*1-2	50,000	50,000	11	13.8	5"/8"	3½	2	0	63½ X 14	BOROSILICATE	HW1157	+	◦	-	◦	-
D7215ST*1-2	57,000	57,000	11	13.8	5"/8"	4	½	0	73¾ X 15½	NEOCERAMIC	HW1157	+	◦	-	◦	-

ΔCan be reduced to 4"7"

DISTINCTION SINGLE SIDED FRAMING



	A	B	C	D	E	F	G	H	I	J	K
D3615	49½	2¼	N/A	59¾	17½	10%	40%	24	17½	12%	53½
D4815	49½	2¼	N/A	71½	17½	10%	52%	24	17½	12%	53½
D6315	50¾	2¼	33½	79½	18	8%	66%	24½	16½	13	54½
D7215	59¾	2¼	41½	95¾	18½	10%	76%	33½	17½	12%	63½

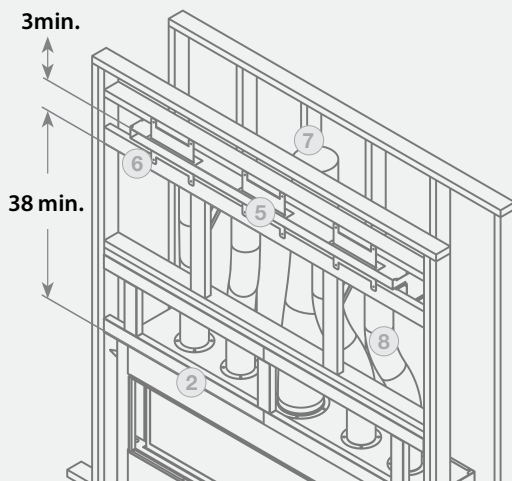


DISTINCTION ST FRAMING

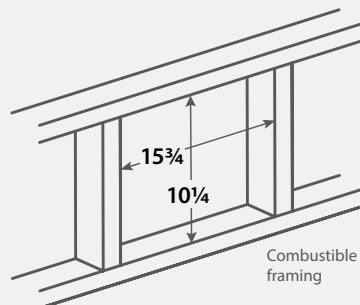
Use single sided framing chart except for dimension "E". this measurement is from edge to edge of the platform.

	E
D3615ST	17½
D4815ST	17½
D6315ST	18½
D7215ST	17½

COOL WALL ADVANTAGE FRAMING



COOL WALL ADVANTAGE SIDEWALL FRAMING



Dimensions are the same for both horizontal and vertical sidewall kits

36" size features 2 venting holes

LEGEND

1	FLOOR STRUCTURE
2	NON-COMBUSTIBLE METAL FRAMING (NOT USED ON 36, 48)
3	FIREPLACE PLATFORM
4	CONCRETE BOARD
5	COOL WALL ADVANTAGE OPENING
6	2X4 ON EDGE
7	MAIN VENT
8	5" VENTING

See through versions include two sets of non combustible framing and concrete board.

36" and 48" version does not include non combustible framing kit

Chase venting is needed for safe operation of the unit, see instruction manual for detailed instructions

Minimum distance from unit base to ceiling is 89"