



# RADIANT PLUS™ ON DEMAND MILLIVOLT CAST IRON GAS STOVES



**NEVER BE COLD AGAIN!**

# BUILDING NORTH AMERICA'S FAVORITE FIRE

Lopi heating appliances are designed and hand-assembled at our state-of-the-art factory in Mukilteo, Washington. With over 43 years of experience manufacturing innovative hearth products, Lopi has gained a reputation for standing behind every single product we make. Some things that haven't changed throughout the years are the quality of construction, the beauty of our gas stoves, performance you can trust, and our commitment to your satisfaction.



## RADIANT PLUS™ ON DEMAND MILLIVOLT CAST IRON GAS STOVES

### A RELIABLE HEAT SOURCE FOR YOUR HOME

Radiant Plus™ On Demand Millivolt (MV) cast iron stoves provide comforting RADIANT heat PLUS natural convection, delivering optimum warmth throughout your home. These models offer more features and benefits than any other value-priced gas stoves available, making them both a beautiful and economical way to heat your home.

RADIANT heat is the cozy, satisfying warmth you can actually feel from any source of heat, such as sitting in front of a campfire or soaking up the rays of the sun. NATURAL CONVECTION occurs as room air in the convection chamber is heated. This heated air rises, drawing cooler room air into the chamber, which in turn heats up and circulates around the firebox continuously.

These stoves feature basic, easy-to-use controls and do not require power to operate. Our basic on/off remote control and 130 CFM convection fan are optional accessories that can be added to these models. Their timeless cast iron design adds beauty to any home.

### REASONABLY PRICED

With Radiant Plus™ stoves, you get MORE HEAT FOR LESS MONEY; that's more features and benefits than any other value-priced gas stoves available, making them both a beautiful and economical way to heat your home!

Radiant Plus™ MV gas stoves are available in three sizes:  
Small Northfield™, Medium Berkshire™, and Large Greenfield™.



**NORTHFIELD™ MV**  
22,000 BTU  
(SMALL)



**BERKSHIRE™ MV**  
31,000 BTU  
(MEDIUM)



**GREENFIELD™ MV**  
40,000 BTU  
(LARGE)



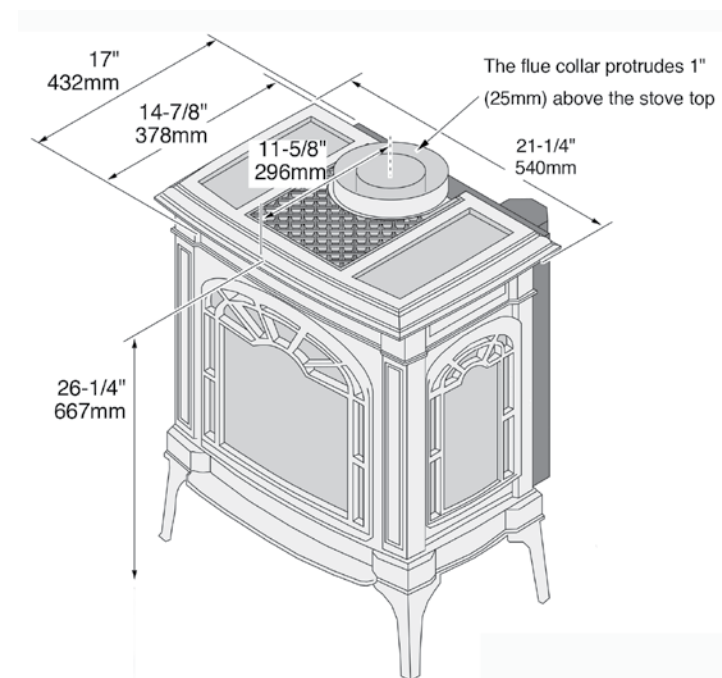
## **NORTHFIELD™** **RADIANT PLUS™ MV SMALL STOVE** 850 Square Foot Heater

The Northfield™ MV is the smallest model in our Millivolt gas stove series. This stove is an excellent choice for heating those intimate rooms in your home, such as bedrooms, bathrooms, and kitchens. It is also ideal for apartments, lofts, and other compact living spaces up to 850 square feet.

Learn more about the exciting features and benefits of this stove on pages 10-11.

### **SPECIFICATIONS**

- Heating Capacity: Up to 850 square feet
- Maximum BTU Input: 22,000 (NG/LP) BTU's / Hour
- Steady State Efficiency (High): Up to 70.19% (NG), 69.47% (LP)
- EnerGuide Efficiency Rating: Up to 56.37% (NG), 57.02% (LP)
- AFUE: Up to 53.4% (NG), 54.7% (LP)
- Glass Viewing Area: 13-3/4" H x 12-5/8" W (143 Square Inches)
- Weight: 130 lbs, 59 kg
- Burner System: Dancing-Fyre™





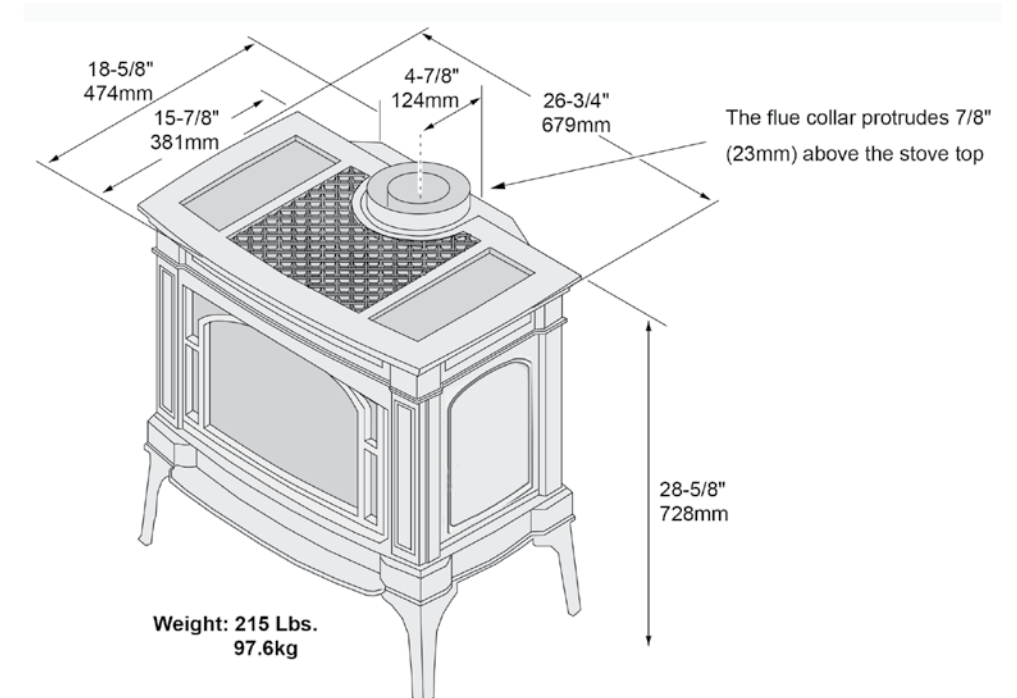
**BERKSHIRE™**  
**RADIANT PLUS™ MV MEDIUM STOVE**  
 1,400 Square Foot Heater

The Berkshire™ MV represents our medium sized Millivolt gas stove model. This is a perfect stove for family rooms, or for anyone seeking supplemental year-round warmth for living spaces up to 1,400 square feet.

Learn more about the exciting features and benefits of this stove on pages 10-11.

**SPECIFICATIONS**

- Heating Capacity: Up to 1,400 square feet
- Maximum BTU Input: 31,000 (NG/LP) BTU's / Hour
- Steady State Efficiency (High): Up to 71.76% (NG), 72.96% (LP)
- EnerGuide Efficiency Rating: Up to 57.95% (NG), 62.75% (LP)
- AFUE: Up to 55.9% (NG), 55.0% (LP)
- Glass Viewing Area: 12" H x 18" W (199 Square Inches)
- Weight: 215 lbs, 97.5 kg
- Burner System: Dancing-Fyre™





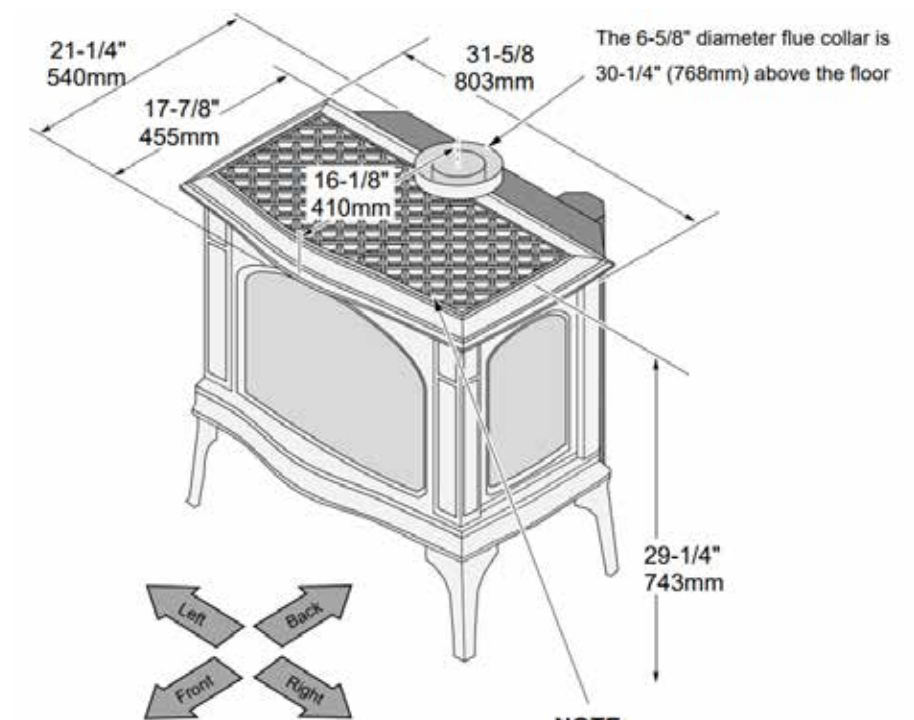
**GREENFIELD™**  
**RADIANT PLUS™ MV LARGE STOVE**  
 1,750 Square Foot Heater

As the largest model in this lineup, the Greenfield™ MV gas stove provides our highest heat output and biggest fire view. This stove is suited for colder climate areas or larger sized homes up to 1,750 square feet.

Learn more about the exciting features and benefits of this stove on pages 10-11.

**SPECIFICATIONS**

- Heating Capacity: Up to 1,750 square feet
- Maximum BTU Input: 40,000 (NG/LP) BTU's / Hour
- Steady State Efficiency (High): Up to 73.33% (NG), 73.90% (LP)
- EnerGuide Efficiency Rating: Up to 62.87% (NG), 63.28% (LP)
- AFUE: Up to 56.30% (NG), 56.70% (LP)
- Glass Viewing Area: 13-1/2" H x 22-1/2" W (306 sq. in.)
- Weight: 310 lbs, 140.6 kg
- Burner System: Dancing-Fyre™



Weight 310 Lbs. (140 Kg)

**NOTE:**  
 Measure side, corner, and back clearances from the stove top.



# RADIANT PLUS™ ON DEMAND MILLIVOLT CAST IRON GAS STOVES

## FEATURES YOU ARE GOING TO LOVE:

- No electricity required to own or operate these stoves. The pilot light generates enough voltage to operate the valve, keeping you and your family warm during a power outage.
- Excellent radiant and convective heat
- High-temperature ceramic glass
- Exquisite quality cast iron detailing (read more below)
- Beautiful Dancing-Fyre™ Burner and Classic Log Set (read more below)
- Heavy duty construction for years of dependable warmth
- Basic controls and simple functionality make these stoves easy to operate and live with
- Optional Basic GreenSmart® Remote Control (read more on page 11)
- Optional 130 CFM convection fan delivers more heated air into the room (read more on page 11)
- Flexible direct vent installation
- Your choice of Natural Gas (NG) or Liquid Propane (LP)

## CAST IRON DETAIL



Lopi builds the finest cast iron stoves on the planet. These stoves feature elegant European castings with intricate detailing and timeless silhouettes that will complement any home's decor. The soft charcoal "new iron" paint finish echoes the richness of cast iron and highlights the beautiful cast details. The high quality cast iron construction of these stoves will provide your family with years of dependable warmth.

## DANCING-FYRE™ BURNER & CLASSIC LOG SET



The Dancing-Fyre™ Burner features a high definition Classic Log Set and glowing embers that replicate the look of a real wood-burning fire.



Northfield™ MV - 5 Piece Log Set



Berkshire™ MV - 7 Piece Log Set



Greenfield™ MV - 7 Piece Log Set

## BATTERY OPERATED BASIC REMOTE CONTROL



The Optional Basic GreenSmart® Remote offers two modes of operation:

### Manual Setting

ON/OFF control

### Thermostat Setting

Stove turns ON/OFF to maintain your desired home/room temperature

## OPTIONAL CONVECTION FAN



This 130 CFM "set it and forget it" fan is designed to enhance the natural convection and deliver more heated air into the room. Simply set the fan to your preferred comfort level and it will automatically turn on and off with the unit.

110 V power is required for fan operation.

## KEEP THEM WARM, KEEP THEM SAFE

Lopi cast iron gas stoves come standard with ANSI-compliant ClearFire™ glass screens. This provides a safety barrier that protects against accidental contact with the hot glass surfaces and reduces the potential for injury. These screens are practically invisible and are so discrete that they do not detract from the fire view in any way.

## SEVEN YEAR "REAL WORLD" WARRANTY

Our Seven-Year Warranty offers more protection on key components than the so-called "Limited Lifetime" warranties of our competitors. Lopi builds gas stoves to last a lifetime. We'll stand behind the quality and performance of our products year after year because that's the way we do business - and you don't have to read the fine print for your peace of mind. We even continue to sell service parts that date back 40 years.

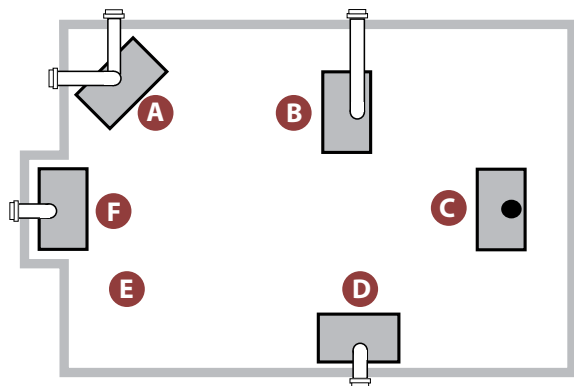
- Years 1-2: All parts and labor on your appliance, including the blower.
- Years 3-5: All parts and labor on the firebox, door assembly, and air control assemblies.
- Years 6-7: Parts only on the firebox, door, and air control assemblies.



# STOVE PLACEMENT & CLEARANCES TO COMBUSTIBLES

## LOCATION OPTIONS WITH DIRECT VENT SYSTEM

Our Direct Venting System provides the option for horizontal or vertical venting through the outside wall or ceiling, allowing you to install your stove virtually anywhere in the room.



**You can install your stove in any of these configurations:**

- A - Cross Corner
- B - Room Divider
- C - Island
- D - Flat on Wall
- E - Flat on Wall Corner
- F - Flat with Wall/Alcove

**Where would you like the stove to go in your home?**

---



---



---



---



---

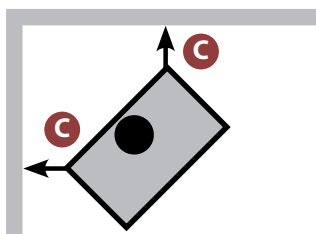
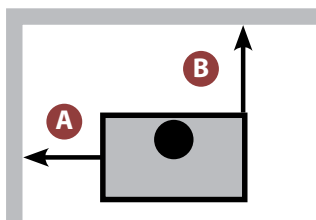


---

## CLEARANCES TO COMBUSTIBLES

The information on this page is for reference ONLY! Installation information is available through your Lopi dealer or through the Lopi website at [www.lopistoves.com](http://www.lopistoves.com).

All measurements are to be taken from stove top to combustible walls.



### NORTHFIELD™ MV BERKSHIRE™ MV GREENFIELD™ MV

(SMALL) (MEDIUM) (LARGE)

A - Stove to Sidewall 3 1/2" (89mm)	A - Stove to Sidewall 10" (254mm)	A - Stove to Sidewall 10" (254mm)
B- Stove to Backwall 5" (127mm)	B- Stove to Backwall 5" (127mm)	B- Stove to Backwall 5" (127mm)

### NORTHFIELD™ MV BERKSHIRE™ MV GREENFIELD™ MV

C - Stove to Corner 1" (25mm)	C - Stove to Corner 5" (127mm)	C - Stove to Corner 5" (127mm)
----------------------------------	-----------------------------------	-----------------------------------

## HEARTH PADS

A non-combustible hearth pad is required when the stove is installed directly on carpeting, vinyl, or combustible flooring other than wood. A metal or wood hearth pad must extend the full width and depth of the stove. A hearth pad is not required if the stove is installed on non-combustible flooring (tile, stone, brick), or if installed on a wood or wood laminate floor.



Your Authorized Lopi Dealer Is Located At:

Manufactured by Travis Industries, Inc.  
Mukilteo, WA  
[www.lopistoves.com](http://www.lopistoves.com)

