

# GREENFIELD™ MILLIVOLT GAS BURNING STOVE



## LARGE CAST IRON STOVE

The Greenfield™ MV, the largest model of Lopi's new moderately priced On Demand Standing Pilot Millivolt Cast Iron Gas Stove Series! The Greenfield™ MV features an elegant design with exquisite quality full cast iron construction and a large high-temperature ceramic glass viewing area. This stove provides comforting radiant heat plus Natural Convection, to deliver optimum warmth throughout your home.

Radiant heat is the cozy, satisfying warmth you can actually feel from any source of heat, such as sitting in front of a campfire or soaking up the rays of the sun. Natural Convection occurs as room air in the convection chamber is heated. This heated air rises, drawing cooler room air into the chamber, which in turn heats up and circulates around the firebox continuously.

These stoves feature basic easy-to-use controls and do not require power to operate. Our basic on/off remote control and a 130 CFM convection fan are optional accessories that can be added to these models. Their timeless cast iron design adds beauty to any home.

---



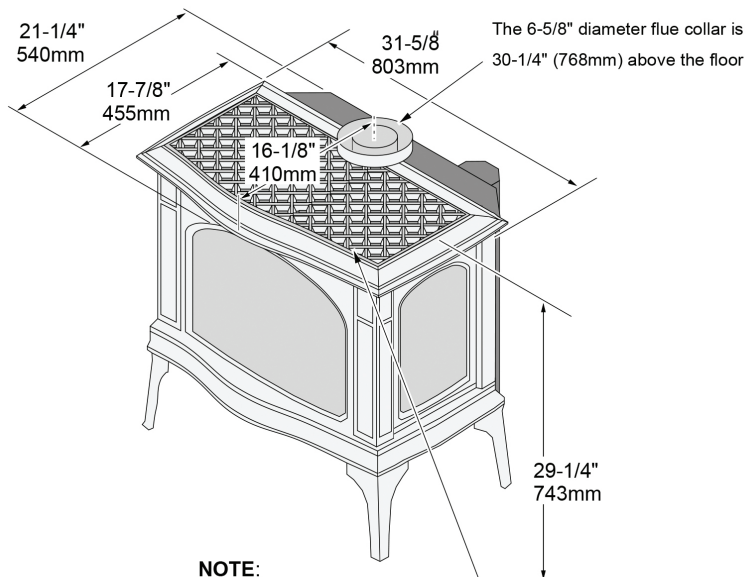
## SPECIFICATIONS

- Maximum BTU Input per Hour 40,000 NG & LP
- Minimum BTU Input per Hour 18,000 NG 16,000 LP
- Heating Capacity\* Up to 1,750 sq. ft.
- Canadian P.4.1 Efficiency 62.87% NG  
63.28% LP
- Steady State Efficiency (High) 73.33% NG  
73.90% LP
- AFUE 56.30% NG  
56.70% LP
- Weight 310 Lbs (140 Kg)
- Glass Viewing Area 13-1/2" H x 22-1/2" W (306 sq. in.)

\*Heating Capacity can be affected by negative pressure in the home and by prevailing atmospheric conditions. Contact local building or fire officials about restrictions and installation requirements in your area.

## OPTIONS:

- 130 CFM convection fan designed to enhance the transfer of heated air throughout the room.
- Wall mounted GreenSmart® Basic Remote operates ON/OFF power and thermostat.
- Wired Wall Timer with basic on/off function can be set in 30 minute increments up to two hours.

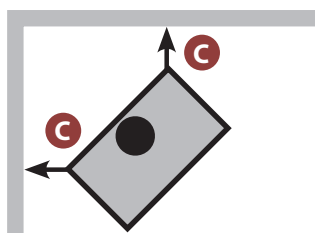
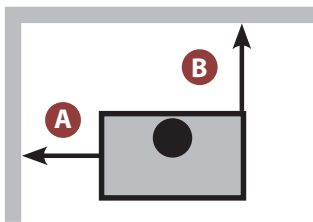


**NOTE:**

Measure side, corner, and back clearances from the stove top.

## CLEARANCES TO COMBUSTIBLES

All measurements are to be taken from the stove top to combustible walls.

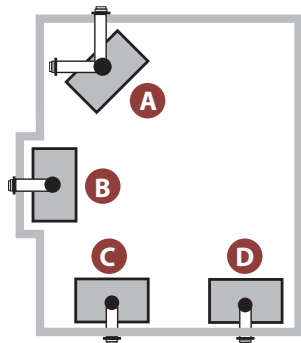


- A - Stove to Sidewall 10" (254mm)
- B - Stove to Backwall 5" (127mm) Top Vent  
8 1/4" (210mm) Rear Vent
- C - Stove to Corner 5" (127mm)

For straight wall installations the vent is centered 6-3/4" from backwall.  
For corner installations the vent is centered 17" from the wall.

## LOCATION OPTIONS WITH DIRECT VENT SYSTEM

Direct Venting System provides for TOP or REAR venting through the outside wall or ceiling, allowing you to install your stove virtually anywhere in the room. Horizontal venting must rise at least 2' (NG) and 3' (LP) above stove top before elbowing.



**You can install your stove in any of these configurations:**

- A - Cross Corner
- B - Flat with Wall/Alcove
- C - Flat on Wall Corner
- D - Flat on Wall

**Where would you like the stove to go in your home?**

---



---



---



---



---

## HEARTH PAD:

A non-combustible hearth pad is required when the stove is installed directly on carpeting, vinyl or combustible flooring other than wood.

No hearth pad is required if the stove is installed on non-combustible flooring (tile, stone, brick) or if installed on a wood or wood laminate floor.

