

564 GSR2 25K Deluxe Fireplace Installation Manual



⚠ WARNING: FIRE OR EXPLOSION HAZARD

Failure to follow safety warnings exactly could result in serious injury, death, or property damage.

- Do not store or use gasoline or other flammable vapors and liquids in the vicinity of this or any other appliance.
- **WHAT TO DO IF YOU SMELL GAS**
 - Do not try to light any appliance.
 - Do not touch any electrical switch; do not use any phone in your building.
 - Leave the building immediately
 - Immediately call your gas supplier from a neighbor's phone. Follow the gas supplier's instructions.
 - If you cannot reach your gas supplier, call the fire department.
- Installation and service must be performed by a qualified installer, service agency or the gas supplier.



**HOT GLASS WILL CAUSE
BURNS**

**DO NOT TOUCH GLASS
UNTIL COOLED**

**NEVER ALLOW CHILDREN
TO TOUCH GLASS**

A barrier designed to reduce the risk of burns from the hot viewing glass is provided with this appliance and shall be installed for the protection of children and other at-risk individuals.

Tested and Listed by



Intertek

Report # G103758188-001
ANSI Z21.88-2016
CSA 2.33-2016

- **Built-In Direct Vent
Fireplace**
- **Natural Gas or Propane**
- **Residential or Mobile
Home**

This appliance may be installed in an aftermarket, permanently located, manufactured home (USA only) or mobile home, where not prohibited by local codes.

This appliance is only for use with the type of gas indicated on the rating plate. A conversion kit is supplied with the appliance.

INSTALLER: Leave this manual with the appliance.

French language manuals at travisindustries.com

CONSUMER: Retain this manual for future reference.

Manuels de langue Française à travisindustries.com

Overview

This manual details the installation requirements for the 564 GSR2 25K fireplace. For operating and maintenance instructions, refer to the 564 GSR2 25K Owner's Manual.

Listing Details

This appliance was listed to ANSI Z21.88. The listing label is attached to the appliance near the gas control valve. A copy is shown to the right.

Massachusetts Approval

This manual has been submitted to the Massachusetts Board of State Examiners of Plumbers and Gas Fitters

National Fireplace Institute



We suggest that our gas hearth products be installed and serviced by professionals who are certified in the U.S. by the National Fireplace Institute® (NFI) as NFI Gas Specialists.



564 GSR2 25K / CF
Vented Gas Fireplace Heater
Le Gaz donné vent Cheminée
Appareil de chauffage



Certified to: ANSI Z21.88-2016/CSA 2.33-2016 "Vented Gas Fireplace Heater", CGA 2.17-2017 "Gas-Fired Appliances for use at High Altitudes", and CSA P4.1-15 Testing method for measuring annual fireplace efficiency.

This appliance must be installed in accordance with local codes, if any; if none, follow the National Fuel Gas Code, ANSI Z223.1/NFPA 54, or Natural Gas and Propane Installation Codes, CSA B149.1.

This appliance must be installed in accordance with the current Standard CAN/CSA Z240 MH, Mobile Housing, in Canada or with the Manufactured Home Construction and Safety Standard, Title 24 CFR, Part 3280, in the United States, or when such a standard is not applicable, ANSINC8BCS A225.1/NFPA 501A, Manufactured Home Installation Standard.

This vented gas fireplace heater is equipped at the factory for use with natural gas. If conversion to propane (LP) is desired, the optional factory conversion kit must be used. Part No. 250-04988 register kit may be used.

This appliance is only for use with the type of gas indicated on the rating plate and may be installed in an aftermarket, permanently located, manufactured home (USA only) or mobile home, where not prohibited by local codes. See owner's manual for details. This appliance is not convertible for use with other gases, unless a certified kit is used.

This vented gas fireplace heater is not for use with air filters.

Keep burner and control compartment clean. See installation and operating instructions accompanying appliance.

This appliance must be properly connected to a venting system in accordance with the manufacturer's installation instructions. Use only approved coaxial direct vent system to vent this appliance to the exterior. See owner's manual for approved brands of venting.

If the vent-air intake system is disconnected for servicing or any other reason, it must be resealed and / or reinstalled.

WARNING: Improper installation, adjustment, alteration, service or maintenance can cause injury or property damage. Refer to the owner's information manual provided with this appliance. For assistance or additional information consult a qualified installer, service agency or the gas supplier.

VENTED GAS FIREPLACE HEATER NOT FOR USE WITH SOLID FUEL

Minimum Clearances to Combustibles

Fireplace to Adjacent Wall	1" (26mm)
Wood Floor Beneath Fireplace	0" (0mm)
Back to Enclosure	0.5" (13mm)
Base of Fireplace to Enclosure Top	39.5" (1004mm)
Sides to Enclosure	0.5" (13mm)
Base of Fireplace to a Mantel	See Owner's Manual

FAN TYPE VENTED CIRCULATOR

Blower Electrical Rating: 120V AC, 1.5 Amps, 60 Hz, 150 Watts
Part No. 250-00031 / 250-00032 fan or blower assembly may be used.
DANGER! Risk of Electric Shock. Disconnect power before servicing unit.

	PROPANE	N.G.
Input Rate on "HI" (BTU/Hr)	25,000	25,000
Input Rate on "LO" (BTU/Hr)	6,500	7,500
Orifice Size - Front (DMS)	#60	#52
Orifice Size - Rear (DMS)	#60	#51
Minimum Inlet Pressure (inches W.C.)	11"	5.5"
Maximum Inlet Pressure (inches W.C.)	13"	7"
Manifold Pressure on "HI" (inches W.C.)	11"	3.5"

This appliance is equipped for use only at altitudes 0-2,000 feet (0-610m) in the USA. In Canada, 0-4,500 feet (0-1370m).

For altitudes above 2,000 feet, the vent configuration, orifice, or combination of both may need to be changed.

See owner's manual for information on making these changes.

WARNING: Failure to install this appliance per the manufacturer's instructions or failure to use only parts specifically approved with this appliance may result in property damage or personal injury.

MANUFACTURE DATE:

<input type="checkbox"/> 2019	<input type="checkbox"/> Jan.	<input type="checkbox"/> Apr.	<input type="checkbox"/> Jul.	<input type="checkbox"/> Oct.
<input type="checkbox"/> 2020	<input type="checkbox"/> Feb.	<input type="checkbox"/> May	<input type="checkbox"/> Aug.	<input type="checkbox"/> Nov.
<input type="checkbox"/> 2021	<input type="checkbox"/> Mar.	<input type="checkbox"/> Jun.	<input type="checkbox"/> Sep.	<input type="checkbox"/> Dec.

CAUTION:

Do not operate this appliance with glass removed, cracked or broken. Replacement of the panel(s) should be done by a licensed or qualified service person.

Certifiés: ANSI Z21.88-2016 / CSA 2.33-2016 «Rechauffeur de cheminée à gaz ventilée», CGA 2.17-2017 «Appareils à combustion à gaz pour utilisation à haute altitude» et CSA P4.1-15 Méthode d'essai pour mesurer le foyer annuel Efficacité.

Cet appareil doit être conformément installé aux codes locaux, si n'importe lequel; si aucun, suivre le Code de Gaz de Carburant National, ANSI Z223.1/NFPA 54, ou Gaz Naturels et les Codes d'Installation de Propane, CSA B149.1.

Cet appareil doit être conformément installé au BOITE/CSA Standard actuel Z240 MH, le Logement Mobile, au Canada ou avec les Constructions de Maison Fabriqués et la Norme de Sécurité, le Titre 24 CFR, la Partie 3280, aux États-Unis, ou quand une telle norme n'est pas applicable, ANSINC8BCS A225.1/NFPA 501A, Norme d'Installation de Maison Fabriquée.

Ceci a donné vent de l'appareil de chauffage de cheminée de gaz est équipé à l'usine pour l'usage avec le gaz naturel. Si la conversion au propane (LP) est désiré, la trousse de conversion d'usine facultative doit être utilisée. La partie No 250-04988 trousse de registre pourrait être utilisée.

Cet appareil est seulement pour l'usage avec le type de gaz indiqué sur la plaque de classement et pourrait être installé dans une maison tiers d'une façon permanente localisée et fabriquée (USA seulement) ou la maison mobile, ou pas interdit par les codes locaux. Voir le manuel du propriétaire pour les détails. Cet appareil n'est pas convertible pour l'usage avec les autres gaz, à moins qu'une trousse certifiée est utilisée.

Ceci a donné vent de l'appareil de chauffage de cheminée de gaz n'est pas pour l'usage avec les filtres à air.

Garder le compartiment de brûleur et contrôle nettoyé. Voir l'installation et les Instructions opérées qui accompagnent l'appareil.

Cet appareil doit être convenablement connecté à un système donner vent conformément aux instructions d'installation du fabricant. Utiliser le système de conduit direct, coaxial et salement approuvé pour donner vent cet appareil à l'extérieur. Voir le manuel du propriétaire pour les marques approuvées de donner vent.

Si le système de prise de conduit-air est débranché pour entretenir ou aucune autre raison, il doit être rescellé et / ou réinstallé.

L'APPAREIL DE CHAUFFAGE DONNE VENT DE CHEMINÉE DE GAZ PAS POUR L'USAGE AVEC LE COMBUSTIBLE SOLIDE

Dégagements Minimums à Combustible

La cheminée au mur adjacent	1" (26mm)
Le plancher en bois en dessous de la cheminée	0" (0mm)
De retour à la clôture	0.5" (13mm)
Base du foyer au dessus du boîtier	39.5" (1004mm)
Les côtés à la clôture	0.5" (13mm)
La base de cheminée à un manteau de cheminée	**
(** Voir le manuel du propriétaire)	

EVENTER LE TYPE A DONNE VENT CIRCULATEUR

La soufflerie Classement Electrique: 120V AC, 1.5 Amps, 60 Hz, 150 Watts
La partie No 250-00031 / 250-00032 assemblée de ventilateur ou soufflerie pourrait être utilisée.

¡PELIGRO! El riesgo de Descarga eléctrica. Desconecte el poder antes de atender a la unidad.

	PROPANE	G.N.
Taux d'entrée sur « HI » (BTU/Hr)	25,000	25,000
Taux d'entrée sur « LO » (BTU/Hr)	6,500	7,500
La Taille d'orifice - le Devant (DMS)	#60	#52
La Taille d'orifice - l'Arrière (DMS)	#60	#51
La Pression minimum d'Arrivée (inches W.C.)	11"	5.5"
La Pression maximum d'Arrivée (inches W.C.)	13"	7"
Diverse Pression sur « HI » (inches W.C.)	11"	3.5"

Cet appareil est équipé pour l'usage seulement aux altitudes 0-2,000 pieds (0-610m) dans l'USA. Au Canada, 0-4,500 pieds (0-1370m).

Pour les altitudes au-dessus de 2,000 pieds, la configuration de conduit, l'orifice, ou la combinaison de des deux peut avoir besoin d'être changé.

Voir le manuel du propriétaire pour les informations sur faire ces changements.

AVERTISSEMENT : L'installation déplacée, l'ajustement, le changement, le service ou l'entretien peuvent causer les dommages de blessure ou propriété. Se référer au manuel d'informations du propriétaire fourni avec cet appareil. Pour obtenir de l'aide ou les informations supplémentaires consultez un programme d'installation, une agence de service ou le fournisseur de gaz qualifié.

AVERTISSEMENT : L'échec pour installer cet appareil par les instructions du fabricant ou l'échec pour utiliser seulement des parties ont approuvé en particulier avec cet appareil peut avoir pour résultat les dommages de propriété ou la blessure personnelle.

PRUDENCE:

Ne pas fonctionner cet appareil avec le verre enlevé, craqué ou cassé. Le remplacement des panneaux devrait être fait par une personne de service autorisée ou qualifiée.

XXXX

Overview	2	Top Vent Configuration with Horizontal Termination.....	30
Listing Details.....	2	Top Vent Configuration with Vertical Termination.....	31
Installation Options.....	6	Masonry Chimney Conversions	32
Heating Specifications.....	6	Class A Chimney Conversion.....	33
Dimensions	6	Termination Requirements	34
Packing List	7	Hearth Requirements.....	35
Additional Items Required.....	7	Facing Requirements	36
Installation Overview	7	Drywall Installation	36
Recommended Installation Procedure.....	7	Facing Overview	37
Massachusetts Requirements	8	Thin Facing Installation (tile, marble, or other non-combustible under 1" (25mm) thick).....	38
Requirements for the Commonwealth of Massachusetts	8	Thin Facing Installation (tile, marble, under 1" (25mm) thick) - Side View	39
MANUFACTURER REQUIREMENTS	8	Thick Facing Installation (stone, brick, or other non-combustible over 1" (25mm) thick).....	40
Top Stand-Off Assembly	9	Thick Facing with Fireplace Xtordinaire (FPX) Arched Faces	41
Front Standoffs and Sheetrock Supports	10	Thick Facing Installation - Side View.....	42
Top Vent or Rear Vent Configuration.....	11	Mantel Requirements.....	43
Fireplace Placement Requirements	14	Combustible Mantels.....	43
Clearances	14	Examples:	43
Raised Fireplaces.....	14	Non-Combustible Mantels	43
Minimum Framing Dimensions.....	15	Installation Example - Build-Out (Dog-House) with Hor. Termination.....	44
Nailing Brackets	16	Installation Example - Build-In with Horizontal Termination.....	45
Corner Installations - Top Vent Configuration.....	17	Steps for Finalizing the Installation	46
Outdoor Fireplace Installations	18	Air Shutter Adjustment	47
Gas Line Requirements	19	Barrier Removal	48
Fuel.....	19	Glass Frame Removal and Installation.....	49
Gas Line Connection.....	19	Glass Frame Removal and Installation (continued).....	50
Gas Inlet Pressure.....	19	Shipping Retaining Nut Removal	51
Gas Line Location	20	Ember bed Glass and Ember Material Installation	52
Converting Gas Line to the Left Side.....	20	Ember bed Glass Installation	52
Electrical Connection (required).....	21	Ember Material Installation.....	53
Vent Requirements.....	22	Log Set Installation.....	54
Vent Clearances.....	22	LP Conversion Instructions	63
Altitude Considerations	22	Special Instructions for Fireback Installation	66
Approved Vent.....	23	Grill Installation	68
Rear Vent Configurations	23	Optional CoolSmart TV Kit (sku#98900778)69	
Top Vent Configurations.....	23	564 25K Installation Requirements	70
Termination	23	564 25K Reduced Mantel Height	70
Vent Installation.....	23	564 25K Framing the Chase	71
Approved Vent Configurations	24	Installation	72
Restrictor Position	24	Wiring Diagram	77
Exhaust Restrictor Adjustment	24	Index.....	78
Intake Restrictor Adjustment	25		
Diffuser Plate Adjustment.....	26		
Rear Vent Configuration with Horizontal Termination (no vertical rise).....	27		
Rear Vent Configuration with Horizontal Termination (with vertical rise).....	28		
Rear Vent Configuration with Vertical Termination.....	29		

Safety Warnings

- Failure to follow all of the requirements may result in property damage, bodily injury, or even death.

Young children should be carefully supervised when they are in the same room as the appliance. Toddlers, young children and others may be susceptible to accidental contact burns. A physical barrier is recommended if there are at risk individuals in the house. To restrict access to a fireplace or stove, install an adjustable safety gate to keep toddlers, young children and other at risk individuals out of the room and away from hot surfaces.

Children and adults should be alerted to the hazards of high surface temperature and should stay away to avoid burns or clothing ignition. Do not touch the hot surfaces of the heater. Educate all children of the danger of a high-temperature heater.

Due to the high temperature, the heater should be located out of traffic and away from furniture and draperies.

- This unit must be installed by a qualified installer to prevent the possibility of an explosion.
- This appliance must be installed in accordance with all local codes, if any; if not, in U.S.A. follow ANSI Z223.1 and NFPA 54(88), in Canada follow CSA B149.1. In Australia follow AS/NZS 5601.1.
- A manufactured home (USA only) or mobile home OEM installation must conform with the Manufactured Home Construction and Safety Standard, Title 24 CFR, Part 3280, or, when such a standard is not applicable, the Standard for Manufactured Home Installations, ANSI/NCSCS A225.1, or Standard for Gas Equipped Recreational Vehicles and Mobile Housing, CSA Z240.4. This appliance may be installed in Manufactured Housing only after the home is site located.
- All exhaust gases must be vented outside the structure of the living-area. Combustion air is drawn from outside the living-area structure. The venting must not be connected to a chimney flue serving a separate solid-fuel burning appliance.
- Notify your insurance company before hooking up this fireplace.
- The instructions in this manual must be strictly adhered to. Do not use makeshift methods or compromise in the installation. Improper installation will void the warranty and safety listing.
- This heater is approved for use with natural gas (NG) or propane (LP). Burning the incorrect fuel will void the warranty and safety listing and may cause an extreme safety hazard. Direct questions about the type of fuel used to your dealer.
- Contact your local building officials to obtain a permit and information on any installation restrictions or inspection requirements in your area.
- If the flame becomes sooty, dark orange in color, or extremely tall, do not operate the heater. Call your dealer and arrange for proper servicing.
- It is imperative that control compartments, screens, or circulating air passageways of the heater be kept clean and free of obstructions. These areas provide the air necessary for safe operation.
- Do not operate the heater if it is not operating properly in any fashion or if you are uncertain. Call your dealer for a full explanation of your heater and what to expect.
- Do not store or use gasoline or other flammable liquids in the vicinity of this heater.
- Do not operate if any portion of the heater was submerged in water or if any corrosion occurs. Immediately call a qualified service technician to inspect the appliance and to replace any part of the control system and any gas control which has been under water.

Safety Warnings (continued)

- Because this heater can be controlled by a thermostat there is a possibility of the heater turning on and igniting any items placed on or near the appliance.
- Light the heater using the built-in igniter. Do not use matches or any other external device to light your heater.
- Never remove, replace, modify or substitute any part of the heater unless instructions are given in this manual. All other work must be done by a trained technician. Don't modify or replace orifices.
- The viewing glass should be opened only for conducting service.
- Allow the heater to cool before carrying out any maintenance or cleaning.
- Operate the heater according to the instructions included in this manual.
- If the main burners do not start correctly turn the gas off and call your dealer for service.
- This unit is not for use with solid fuel.
- Do not place anything inside the firebox (except the optional artwork).
- **Warning:** Do not operate appliance with the glass front removed, cracked or broken. Replacement of the glass should be done by a licensed or qualified service person.
- Do not throw this manual away. This manual has important operating and maintenance instructions that you will need at a later time. Always follow the instructions in this manual.
- Instruct everyone in the house how to shut gas off to the appliance and at the gas main shutoff valve. The gas main shutoff valve is usually next to the gas meter or propane tank and requires a wrench to shut off.
- A barrier designed to reduce the risk of burns from the hot viewing glass is provided with this appliance and shall be installed for the protection of children and other at-risk individuals.
- If the barrier becomes damaged, the barrier shall be replaced with the manufacturer's barrier for this appliance.
- Clothing or other flammable material should not be placed on or near the appliance.
- Any safety screen, guard, or barrier removed for servicing an appliance must be replaced prior to operating the appliance.
- Installation and repair should be done by a qualified service person. The appliance should be inspected before use and at least annually by a professional service person. More frequent cleaning might be required due to excessive lint from carpeting, bedding material, et cetera. It is imperative that control compartments, burners, and circulating air passageways of the appliance be kept clean.
- **Travis Industries, Inc. grants no warranty, implied or stated, for the installation or maintenance of your heater, and assumes no responsibility of any consequential damage(s).**

Proposition 65 Warning: Fuels used in gas, woodburning or oil fired appliances, and the products of combustion of such fuels, contain chemicals known to the State of California to cause cancer, birth defects and other reproductive harm. California Health & Safety Code Sec. 25249.6

Travis Gas Fireplaces, Stoves, and Inserts are protected by one or more of the following patents; U.S. 8,469,021, 7,066,170, 6,602,068, 6,443,726, 6,953,037; Canada 2755517 as well as other U.S. and Foreign Patents pending.

Installation Options

- Residential or Mobile Home
- Straight or Corner Placement
- Flush or Recessed Face
- Raised or Floor Placement
- Internal or External Chase
- Horizontal or Vertical Vent
- Bedroom Approved

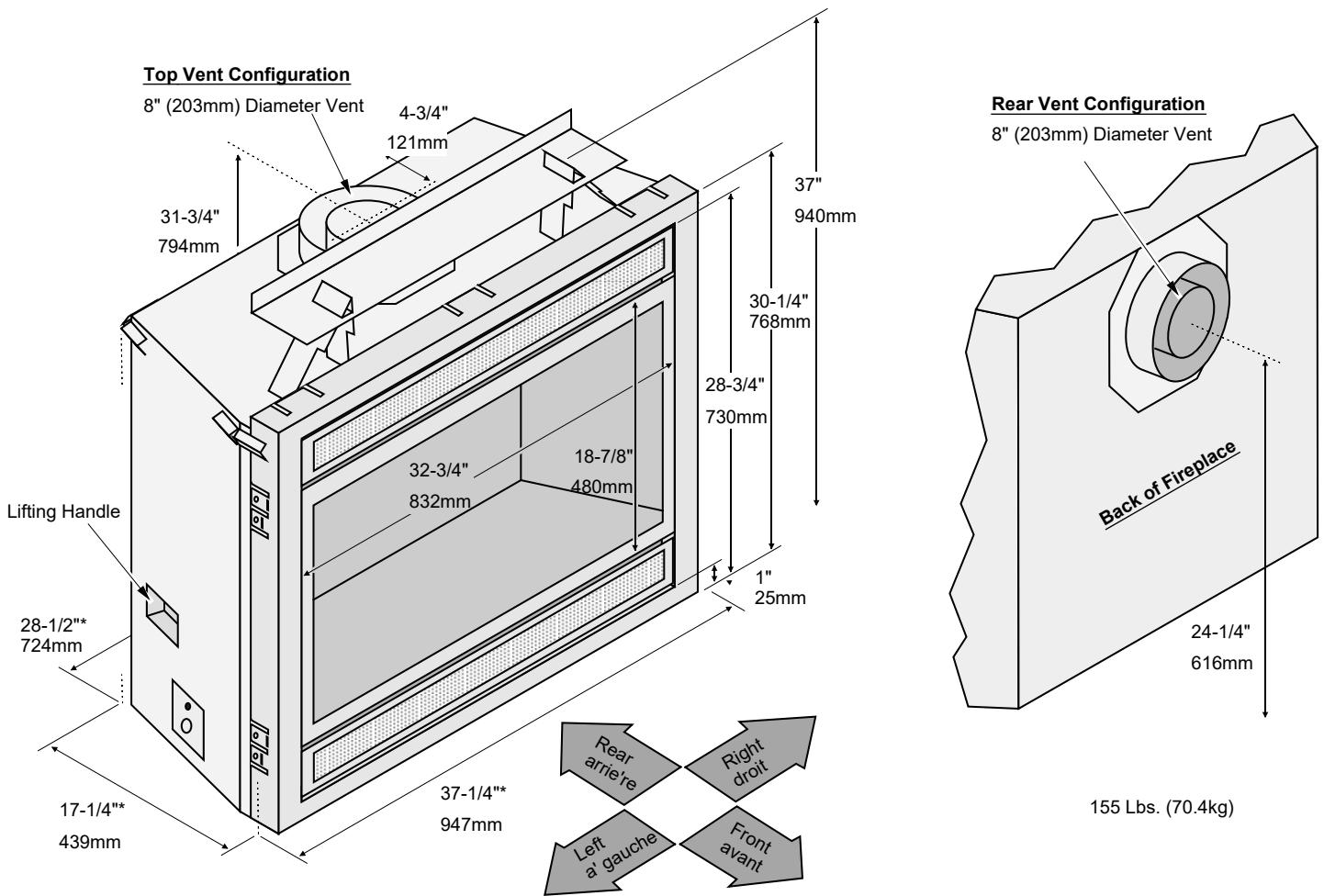
Heating Specifications

	Natural Gas	Propane
Approximate Heating Capacity (in square feet)*	1,250	1,250
Maximum BTU Input Per Hour	25,000	25,000

* Heating capacity will vary with floor plan, insulation, and outside temperature.

** Efficiency rating is a product thermal efficiency rating determined under continuous operation independent of installed system.

Dimensions



* Includes 1/2" (13mm) clearance - see "Clearances" and "Framing Dimensions" for details.

Packing List

- Propane Conversion Kit (Front #60 Orifice, Rear #60 Orifice, Pilot Orifice 0.14 LP).
- Thimble (sku# 250-04833)
- Remote
- Insulation and Heat Shield (for rear vent conversion)
- Exhaust Deflector (used for min. rear vent configurations only)
- Header Shield (screwed to the top of the fireplace)
- Embers, Rockwool, Ember-Glass

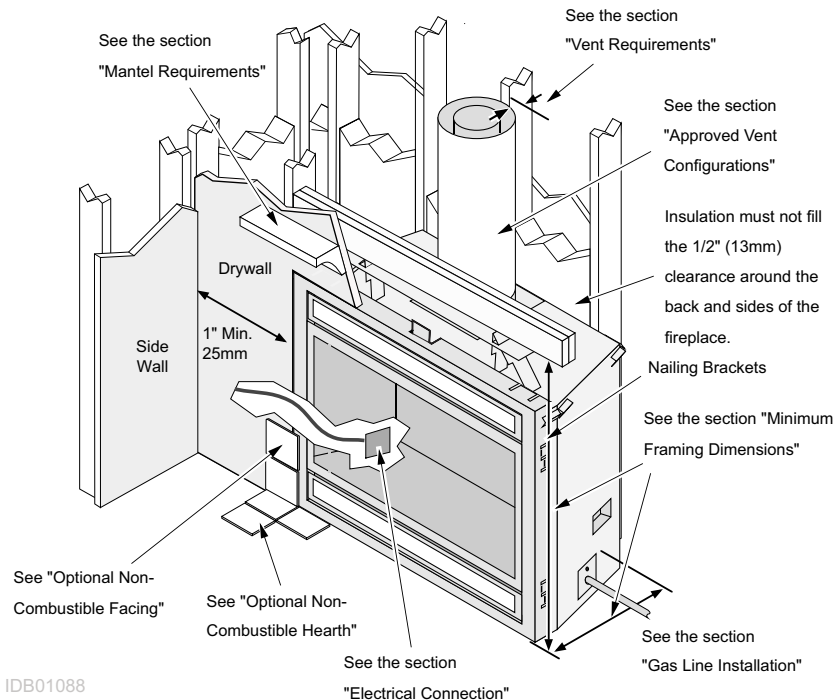
Additional Items Required

- Log Set
- Direct Vent
- Gas Line Equipment (shutoff valve, pipe, etc.)
- Electrical Equipment (min. 14 gauge, grounded line)

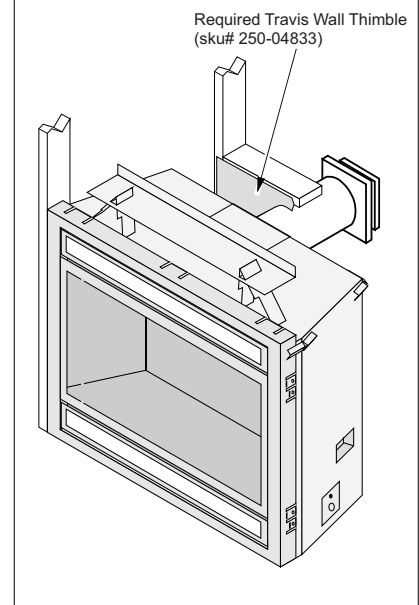
Installation Overview

- All requirements below must be met.

Top Vent Configuration



Rear Vent Configuration



Recommended Installation Procedure

- Frame the opening for the fireplace. Make sure to allow for vent installation.
- This fireplace is designed to accommodate 1/2" (13mm) or 5/8" (16mm) drywall (see "Nailing Brackets" on page 16 for details). Secure the fireplace to the framing.
- Install the vent, gas line and electrical hook-up.
- Install the drywall.
- Install the hearth (if applicable).
- Install the facing (if applicable).
- Install the mantel (if applicable).
- Finalize the installation (see page 46) and install the grill or face.

Massachusetts Requirements

NOTE: The following requirements reference various Massachusetts and national codes not contained in this document.

Requirements for the Commonwealth of Massachusetts

For all side wall horizontally vented gas fueled equipment installed in every dwelling, building or structure used in whole or in part for residential purposes, including those owned or operated by the Commonwealth and where the side wall exhaust vent termination is less than seven (7) feet above finished grade in the area of the venting, including but not limited to decks and porches, the following requirements shall be satisfied:

Installation of Carbon Monoxide Detectors

At the time of installation of the side wall horizontal vented gas fueled equipment, the installing plumber or gasfitter shall observe that a hard wired carbon monoxide detector with an alarm and battery back-up is installed on the floor level where the gas equipment is to be installed. In addition, the installing plumber or gasfitter shall observe that a battery operated or hard wired carbon monoxide detector with an alarm is installed on each additional level of the dwelling, building or structure served by the side wall horizontal vented gas fueled equipment. It shall be the responsibility of the property owner to secure the services of qualified licensed professionals for the installation of hard wired carbon monoxide detectors.

In the event that the side wall horizontally vented gas fueled equipment is installed in a crawl space or an attic, the hard wired carbon monoxide detector with alarm and battery back-up may be installed on the next adjacent floor level.

In the event that the requirements of this subdivision can not be met at the time of completion of installation, the owner shall have a period of thirty (30) days to comply with the above requirements; provided, however, that during said thirty (30) day period, a battery operated carbon monoxide detector with an alarm shall be installed.

Approved Carbon Monoxide Detectors

Each carbon monoxide detector as required in accordance with the above provisions shall comply with NFPA 720 and be ANSI/UL 2034 listed and IAS certified.

Signage

A metal or plastic identification plate shall be permanently mounted to the exterior of the building at a minimum height of eight (8) feet above grade directly in line with the exhaust vent terminal for the horizontally vented gas fueled heating appliance or equipment. The sign shall read, in print size no less than one-half (1/2) inch in size, "GAS VENT DIRECTLY BELOW. KEEP CLEAR OF ALL OBSTRUCTIONS".

Inspection

The state or local gas inspector of the side wall horizontally vented gas fueled equipment shall not approve the installation unless, upon inspection, the inspector observes carbon monoxide detectors and signage installed in accordance with the provisions of 248 CMR 5.08(2)(a)1 through 4.

Exemptions

The following equipment is exempt from 248 CMR 5.08(2)(a)1 through 4:

- The equipment listed in Chapter 10 entitled "Equipment Not Required To Be Vented" in the most current edition of NFPA 54 as adopted by the Board; and
- Product Approved side wall horizontally vented gas fueled equipment installed in a room or structure separate from the dwelling, building or structure used in whole or in part for residential purposes.

MANUFACTURER REQUIREMENTS**Gas Equipment Venting System Provided**

When the manufacturer of Product Approved side wall horizontally vented gas equipment provides a venting system design or venting system components with the equipment, the instructions provided by the manufacturer for installation of the equipment and the venting system shall include:

- Detailed instructions for the installation of the venting system design or the venting system components; and
- A complete parts list for the venting system design or venting system.

Gas Equipment Venting System NOT Provided

When the manufacturer of a Product Approved side wall horizontally vented gas fueled equipment does not provide the parts for venting the flue gases, but identifies "special venting systems", the following requirements shall be satisfied by the manufacturer:

- The referenced "special venting system" instructions shall be included with the appliance or equipment installation instructions; and
- The "special venting systems" shall be Product Approved by the Board, and the instructions for that system shall include a parts list and detailed installation instructions.

A copy of all installation instructions for all Product Approved side wall horizontally vented gas fueled equipment, all venting instructions, all parts lists for venting instructions, and/or all venting design instructions shall remain with the appliance or equipment at the completion of the installation.

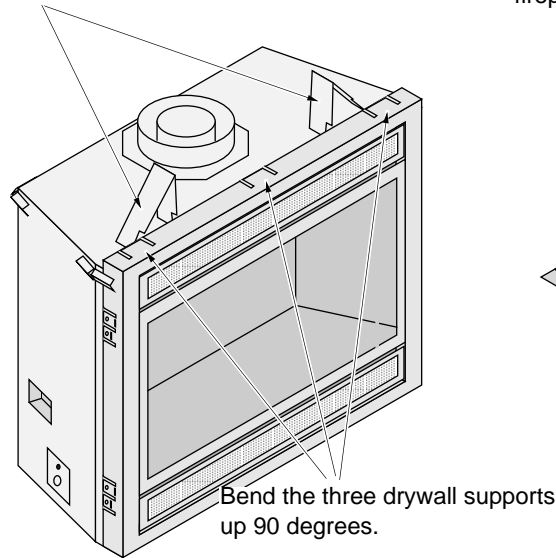
See Gas Connection section for additional Commonwealth of Massachusetts requirements.

Top Stand-Off Assembly

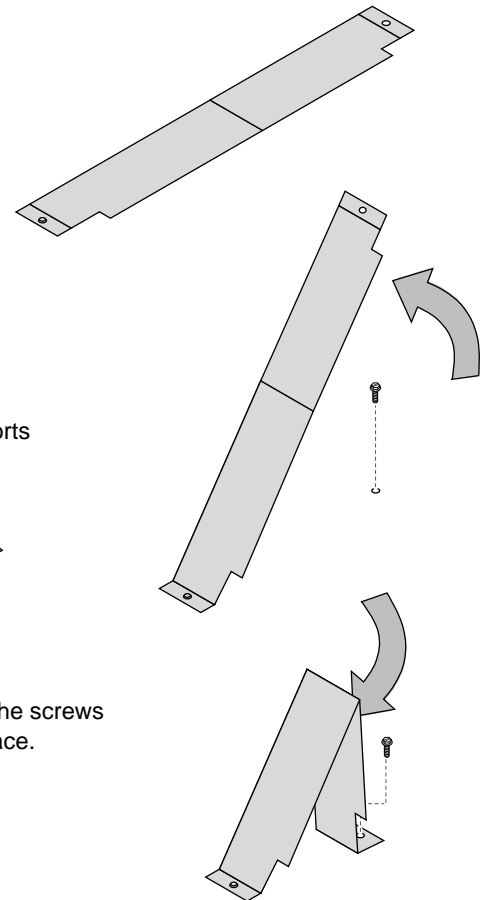
The top stand-offs must be assembled prior to installation.

- 1 The (2) header standoffs are screwed down flat to front edge of the top of the fireplace. On each standoff, remove the screw that is closest to the center of the fireplace (keep screw for reinstallation). Bend the legs at the perforations as shown to the right and attach the foot of the standoff to the top of the fireplace using the screw removed earlier in this step.

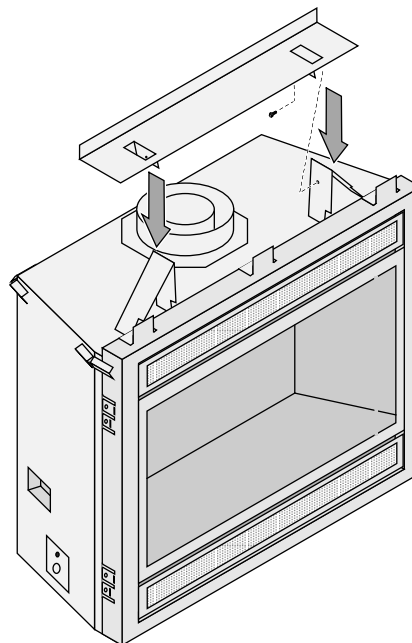
The two standoffs are shipped flat.



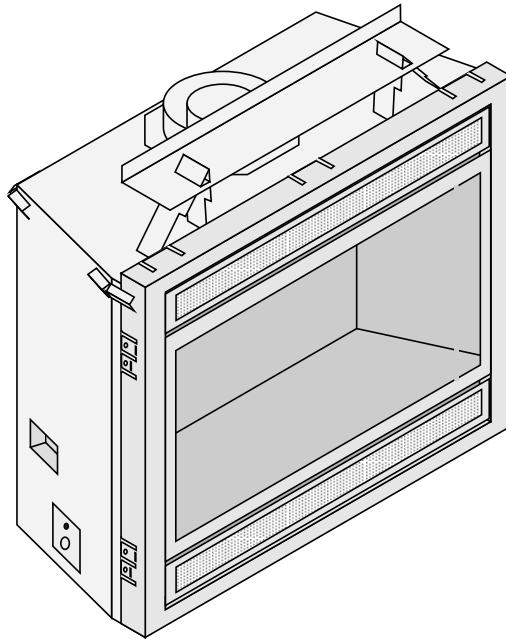
Bend both standoffs as shown below. Remove the screw from the top of the fireplace and secure the standoff as shown.



- 2 On the header shield, bend the two tabs downward approximately 90°. Set the header shield onto the standoffs with the 90° bend facing the pipe shield. The tips of the standoffs will protrude through the heat shield. Attach the heat shield to the standoffs by aligning the holes on the heat shield tabs with the holes in the header standoffs and secure using the included screws.



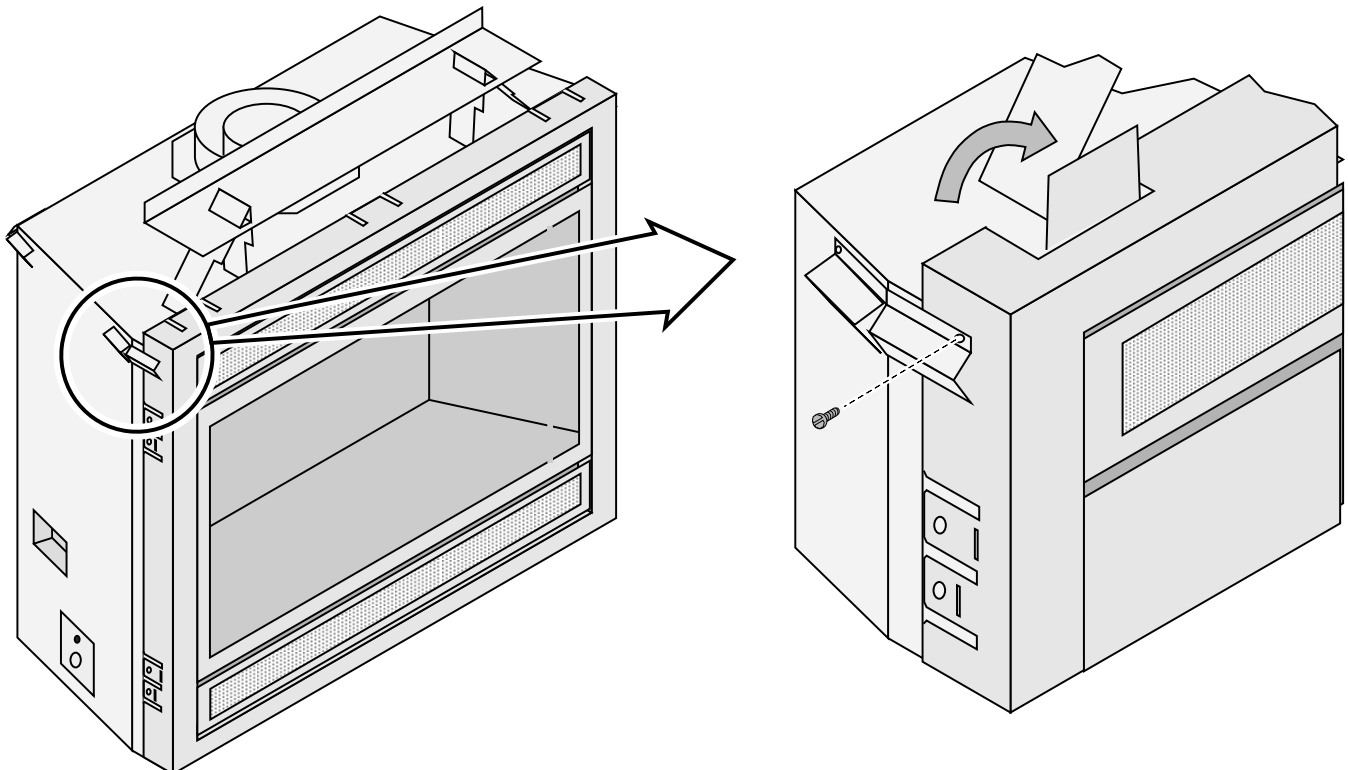
- 3 When finished the fireplace should be configured like the picture below.



Front Standoffs and Sheetrock Supports

The front standoffs are shipped flat. Remove the appropriate screw and form the standoffs as shown below. Replace the screw to secure.

Bend the sheetrock supports up perpendicular to the top of the fireplace front (see the right hand illustration below).

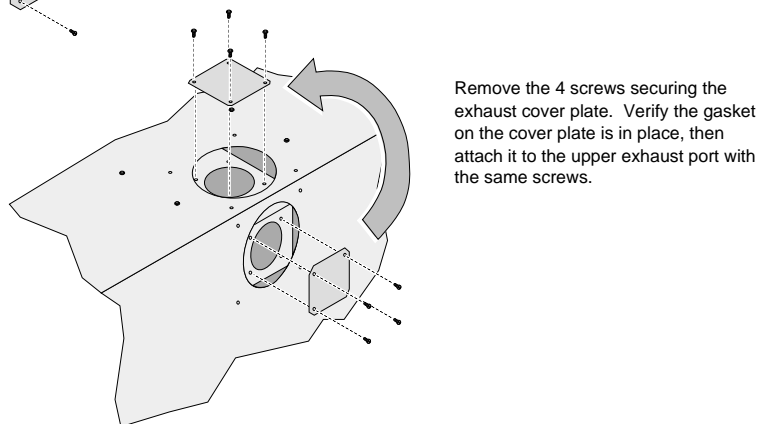
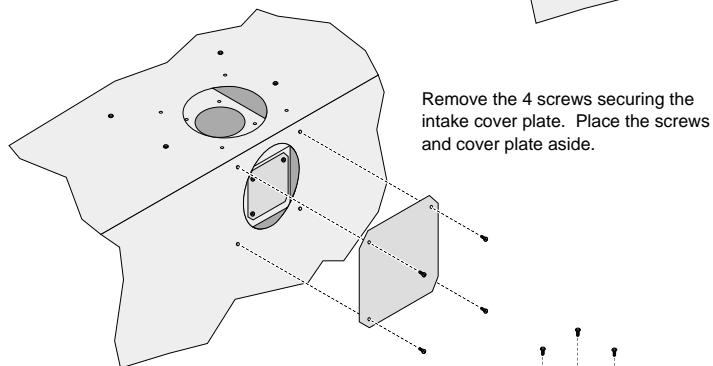
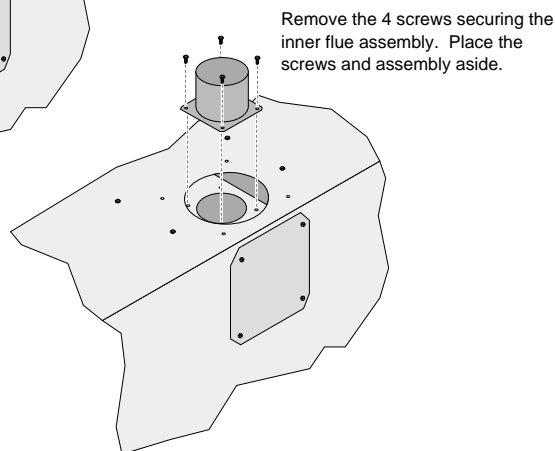
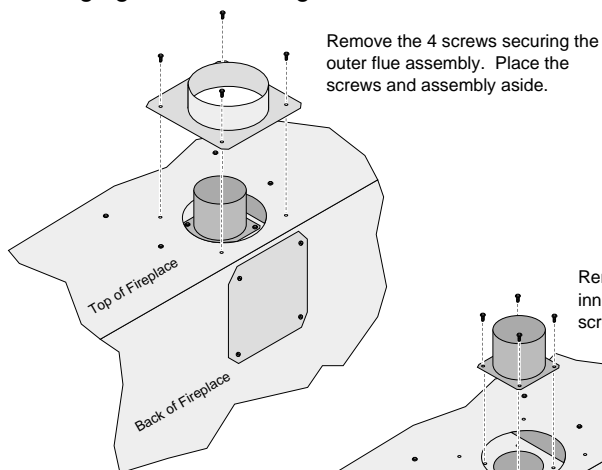
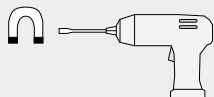


Top Vent or Rear Vent Configuration

This appliance is shipped in the top vent configuration. To change to the rear vent configuration, follow the directions below.

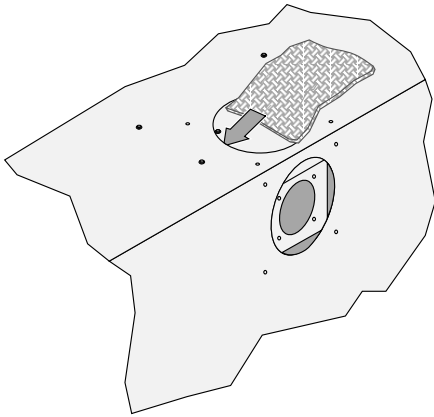
NOTE: the vent configuration affects several aspects of installation (framing, maximum vent rise, maximum vent run). Make sure the vent configuration is correct prior to installation. You may wish to configure the diffuser when changing the vent configuration.

NOTE: Use a magnetic-tipped nutdriver on these screws - take care to prevent the screws from falling into the fireplace.

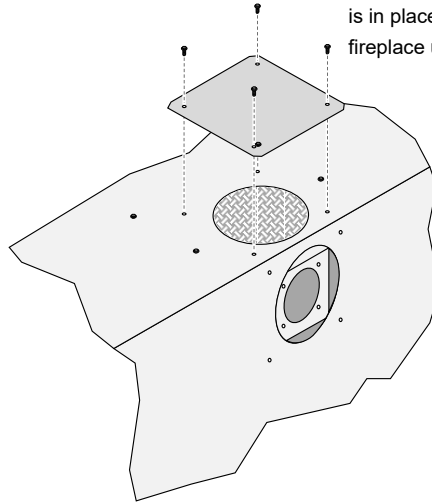


Converting the Fireplace to Rear Vent Configuration (continued)

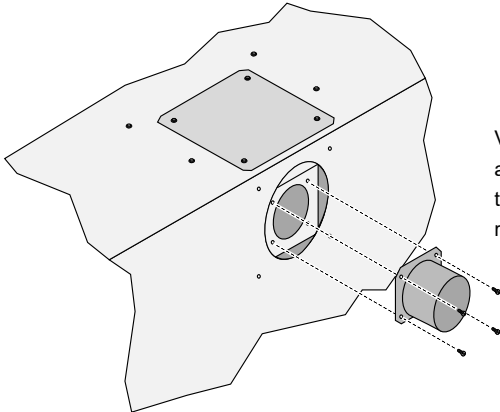
Tuck the insulation (included in the rear vent conversion kit) into the area above the exhaust manifold. NOTE: The longer edge goes side to side. The insulation must be placed so it covers the entire area over the exhaust manifold.



Verify the gasket on the intake cover plate is in place, then attach it to the top of the fireplace using the screws removed earlier.

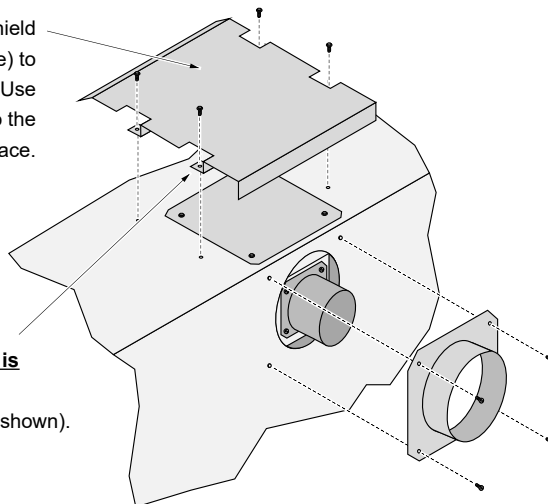


Verify the gasket on the inner flue assembly is in place, then attach it to the exhaust port using the screws removed earlier.



Attach the heat shield (included with the fireplace) to the top of the fireplace. Use the screws pre-attached to the top of the fireplace.

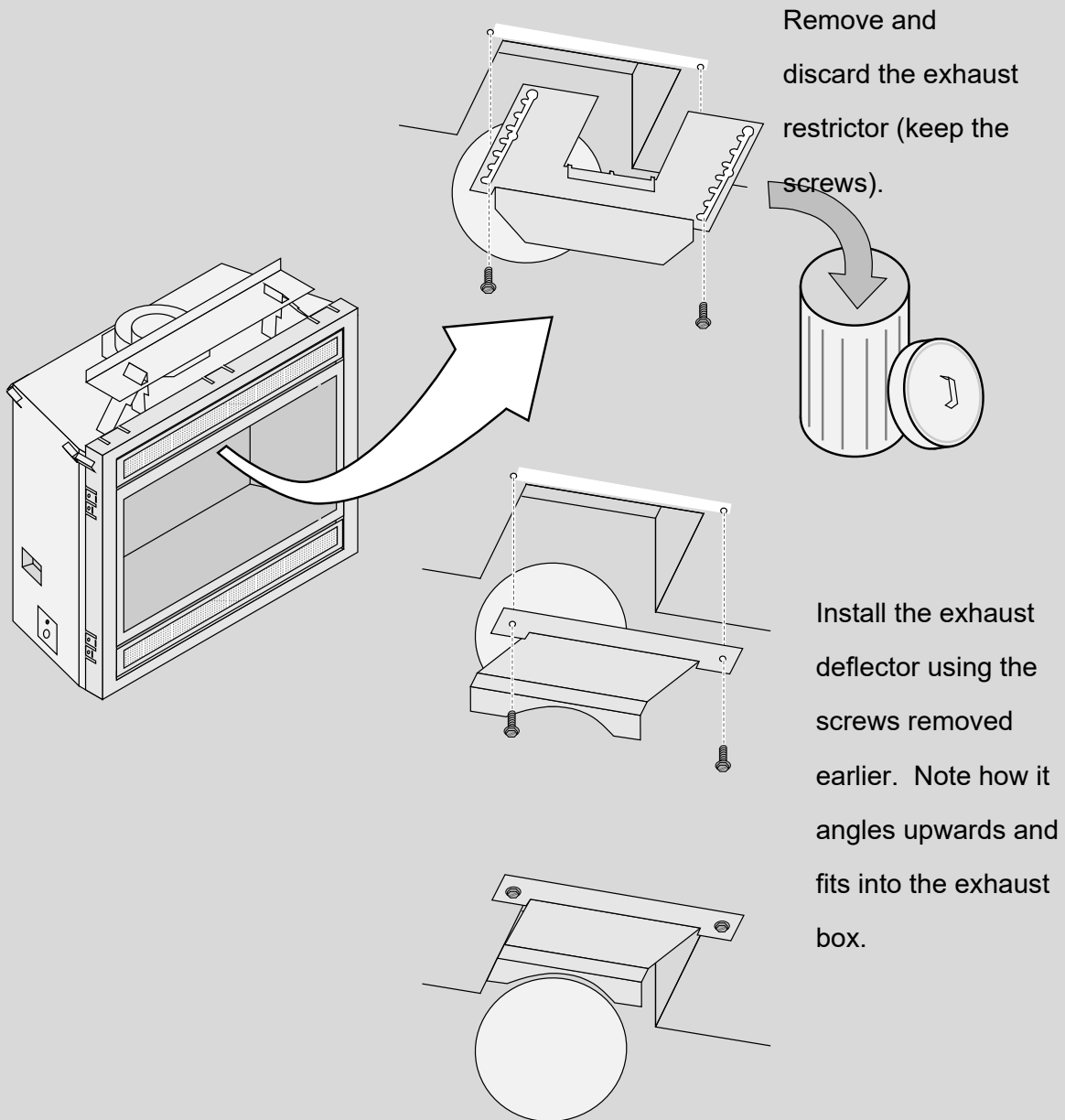
Make sure the heat shield is properly formed
(bend the mounting legs as shown).



Verify the gasket on the outer flue assembly is in place, then attach it to the fireplace using the screws removed earlier.

FOR REAR VENT APPLICATIONS WITH NO VERTICAL RISE ONLY

- When using a rear vent configuration with no vertical rise (see page 27) remove and discard the exhaust restrictor and install the exhaust deflector (included with the fireplace) as shown below.



Fireplace Placement Requirements

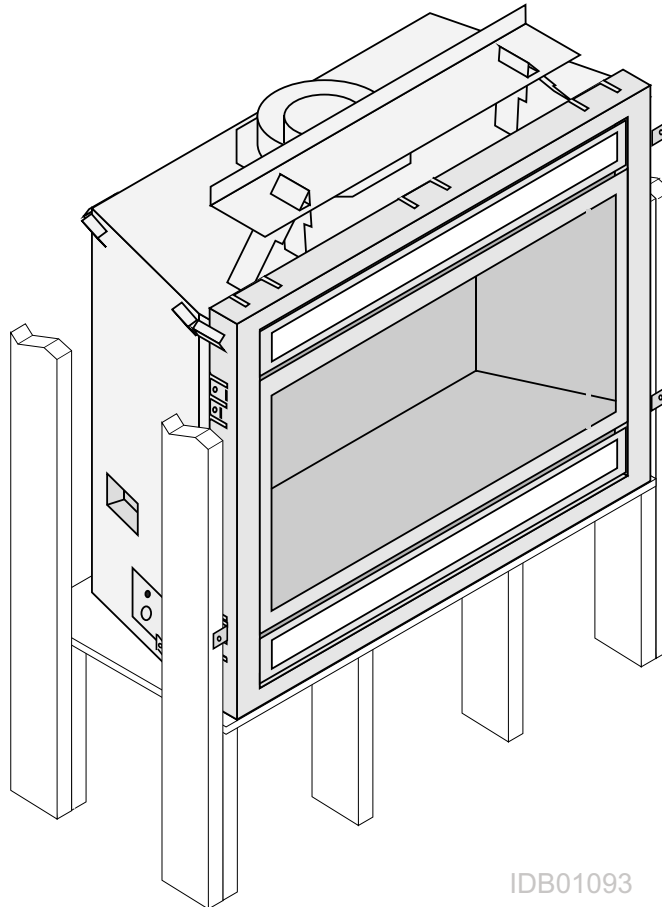
- Fireplace must be installed on a level surface capable of supporting the fireplace and vent
- Fireplace must be placed directly on wood or non-combustible surface (not on linoleum or carpet)
- This heater may be placed in a bedroom. Please be aware of the large amount of heat this appliance produces when determining a location.

Clearances

- The fireplace requires a 1/2" (13mm) clearance from the sides and back of the fireplace to the framing members. No material (insulation, framing, etc.) may be placed into this area.
NOTE: Drywall (or other combustible) may contact the first 1/2" of the sides of the fireplace.
- When installed, walls in front of the fireplace must be a minimum 1" (25mm) to the side of the fireplace.
- Due to the high temperature, the heater should be located out of traffic and away from furniture and draperies.
- Fireplace must be placed so the vents below and above the glass do not become blocked.

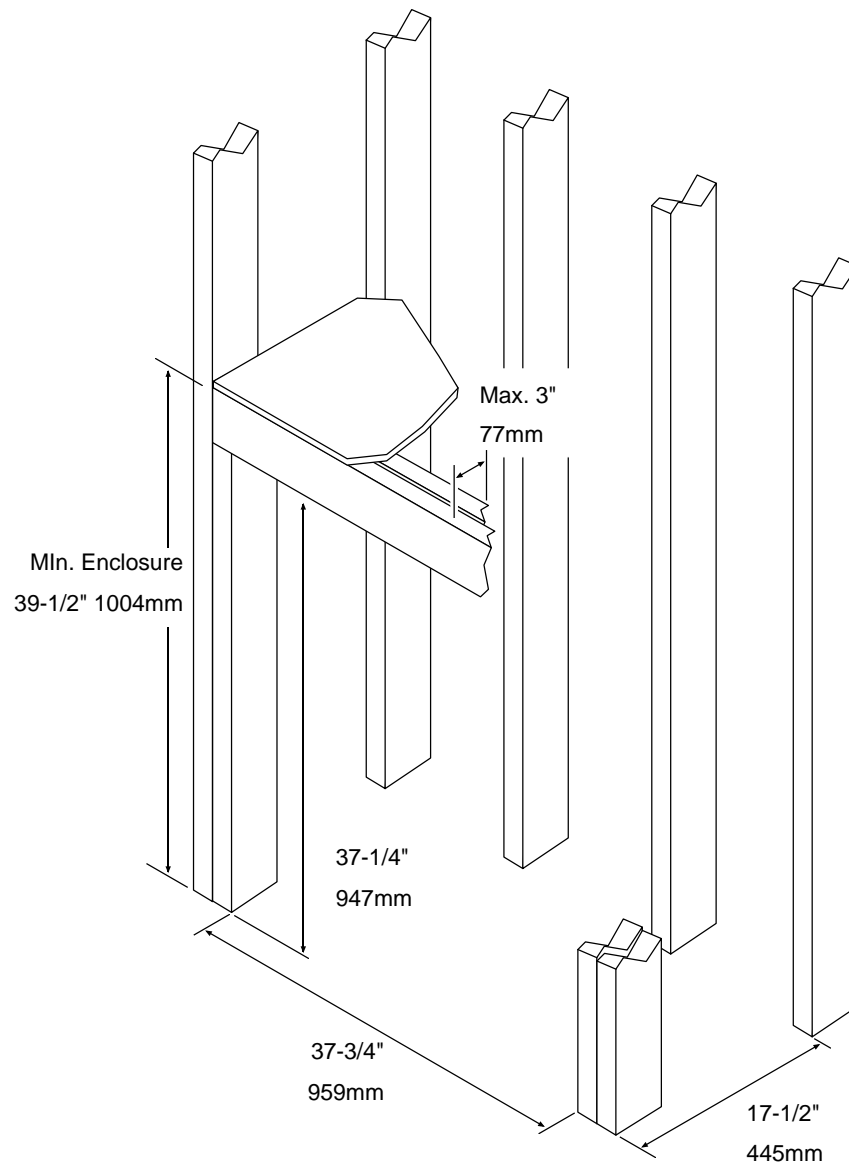
Raised Fireplaces

- The fireplace (and hearth, if desired) may be placed on a platform designed to support the fireplace (155 Lbs.70 Kg) and vent.
- The base of the fireplace must be a minimum 70" (1778mm) below the room ceiling.



IDB01093

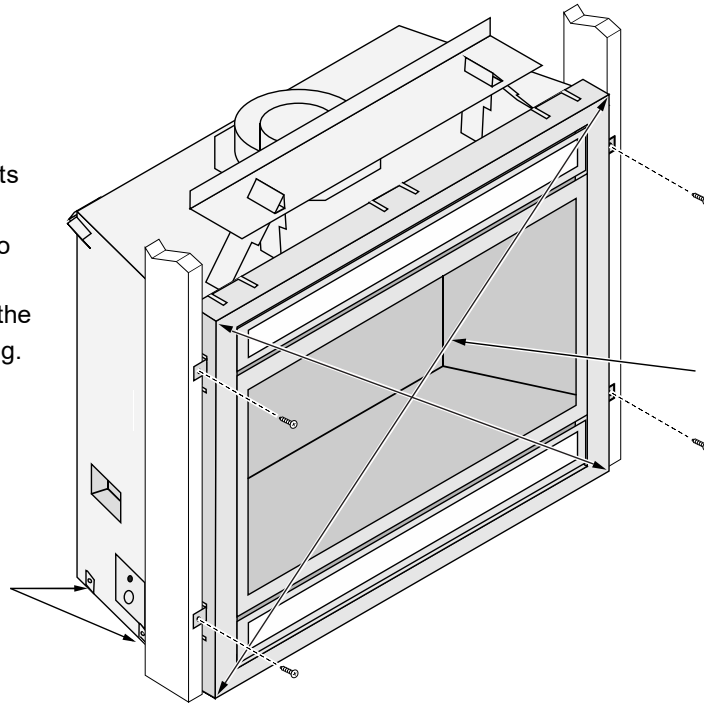
Minimum Framing Dimensions



SHADOWBOX FACE NOTE: The Shadowbox face extends 1" below the base of the fireplace.

Nailing Brackets

There are four nailing brackets on the front of the fireplace. Follow the directions below to prepare the nailing brackets. Once in place, nail or screw the nailing brackets to the framing.



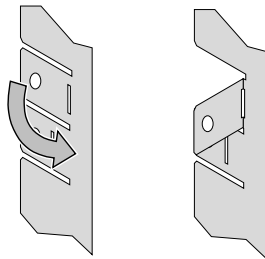
Make sure the fireplace is square and plumb when placed in the framing. Measured corner-to-corner, the fireplace should be square (approx. 47-1/8" (1197mm) for each dimension). Use shims to insure the fireplace is square.

NOTE: Additional nailing brackets are provided along the base of the fireplace. Use these brackets if not using the front brackets.

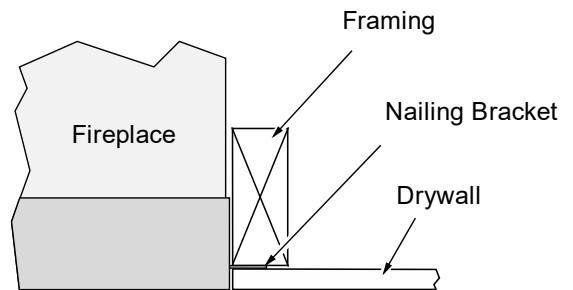
1/2"(13mm)

Drywall

For installations using 1/2" (13mm) facing fold the larger tab out 90°. Use a screwdriver if necessary.

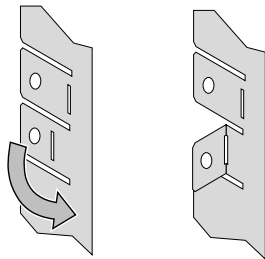


TOP VIEW

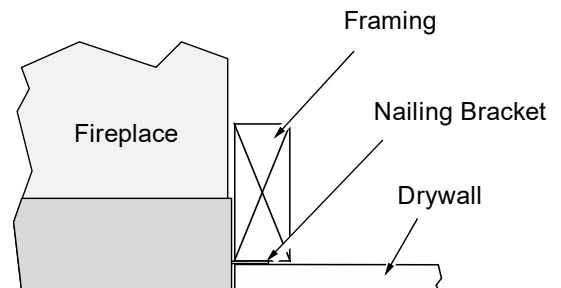


5/8"(16mm) Drywall

For installations using 5/8" (16mm) drywall fold the shorter tab out 90°. Use a screwdriver if necessary.



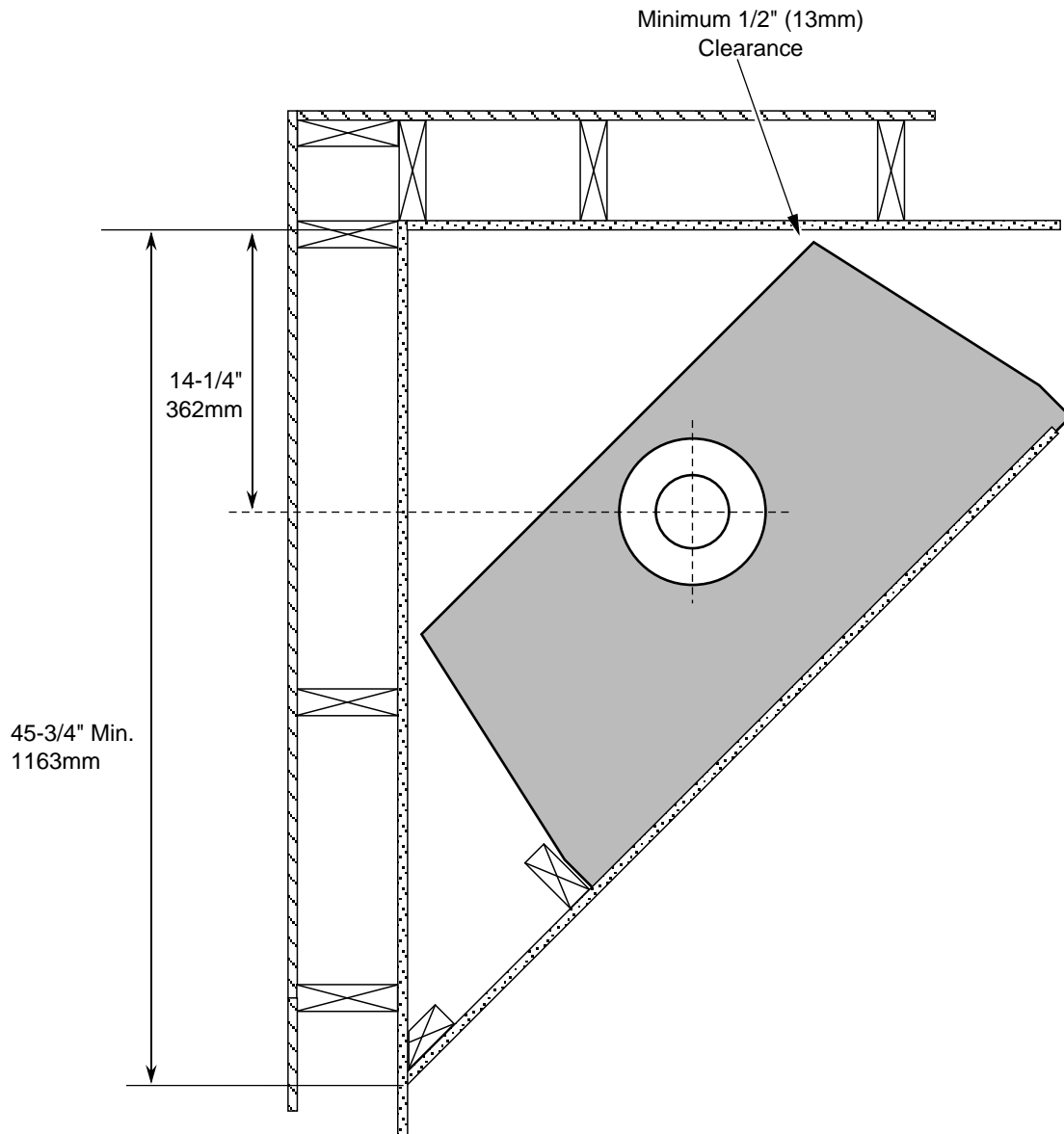
TOP VIEW



IDB01095

Corner Installations - Top Vent Configuration

A typical 45° installation uses the framing dimensions shown in the illustration below (NOTE: all clearances still apply).

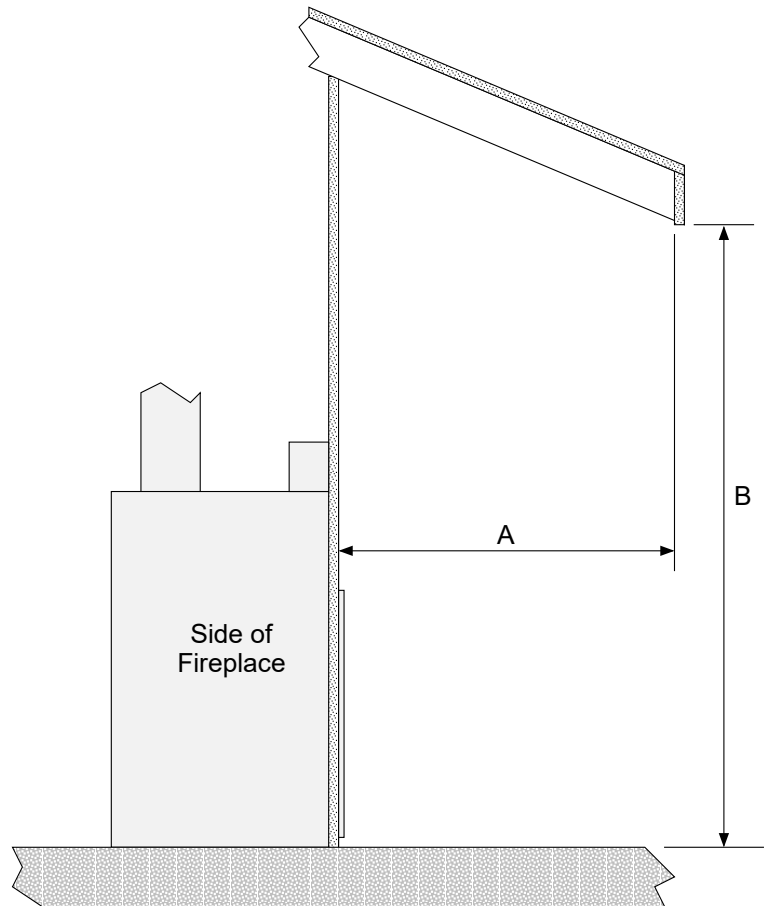


Outdoor Fireplace Installations

Travis Industries Inc. gas-fired fireplaces are suitable for installation into outdoor areas protected from direct water impingement. In addition to maintaining listed mantel and combustibles clearances, a rain protection overhang factor of 1/2 shall be constructed to the front and to each side of installed appliances (see the illustration to the right). All wiring connections to line power shall be in accordance with outdoor requirements of NECA NFPA 70.

Warnings Regarding Tempered Glass

This fireplace uses tempered glass, which is susceptible to thermal shock. Take care to prevent water from contacting the fireplace, especially if it is hot.



The overhang (A) must extend at least 1/2 the roofline height (B). Height is measured from the base of the fireplace.

For example: if the roofline (B) is 8' above the base of the fireplace, the overhang (A) must be at least 4'.

Gas Line Requirements

MASSACHUSETTS INSTALLATIONS - **WARNING:**

THIS PRODUCT MUST BE INSTALLED BY A LICENSED PLUMBER OR GAS FITTER WHEN INSTALLED WITHIN THE COMMONWEALTH OF MASSACHUSETTS.

OTHER MASSACHUSETTS CODE REQUIREMENTS:

- Flexible connector must not be longer than 36 inches.
- Shutoff valve must be a "T" handle gas cock.
- Only direct vent sealed combustion products are approved for bedrooms or bathrooms.
- Fireplace dampers must be removed or welded in the open position prior to the installation of a fireplace insert or gas log.
- A carbon monoxide (CO) detector is required in the same room as the appliance.

- The gas line must be installed in accordance with all local codes, if any; if not, follow ANSI 223.1 and the requirements listed below.
- The fireplace and gas control valve must be disconnected from the gas supply piping during any pressure testing of that system at test pressures in excess of 1/2 psig. For pressures under 1/2 psig, isolate the gas supply piping by closing the manual shutoff valve.
- Leak test all gas line joints and the gas control valve prior to and after starting the fireplace.

Fuel

- This fireplace is designed either for natural gas or for propane (but not for both). Check the sticker on the top of the gas control valve to make sure the correct fuel is used.

Gas Line Connection

- Installation must be performed by a qualified installer, service agency or the gas supplier (In Massachusetts a licensed plumber/gasfitter).
- The gas inlet accepts 1/2" MPT.

Gas Inlet Pressure

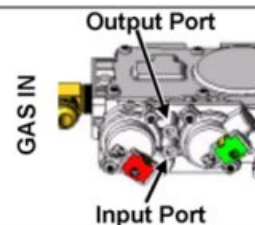
Gas Pressure	Max. Input Pressure	Min. Input Pressure	Max. Manifold Pressure	Min. Manifold Pressure
Natural Gas	7" W.C. (1.74 kPA)	5.5" W.C. (1.37 kPA)	3.5" W.C. (0.87 kPA)	1.6" W.C. (0.40 kPA)
Propane	13" W.C. (3.23 kPA)	11" W.C. (2.74 kPA)	11" W.C. (2.74 kPA)	2.9" W.C. (0.72 kPA)

- If the pressure is not sufficient, make sure the piping used is large enough, the supply regulator is adequately adjusted, and the total gas load for the residence does not exceed the amount supplied.
- The supply regulator (the regulator that attaches directly to the residence inlet or to the propane tank) should supply gas at the suggested input pressure listed above. Contact the local gas supplier if the regulator is at an improper pressure.

Directions for Connecting a Gas Pressure Test Gauge

The gas control valve (shown to the right) has two test ports for testing input (line pressure) and output (manifold) pressure. Loosen the brass screw on either test port and place a 5/16" i.d. rubber or plastic tube over the tapered test port. Connect the tube to the test gauge.

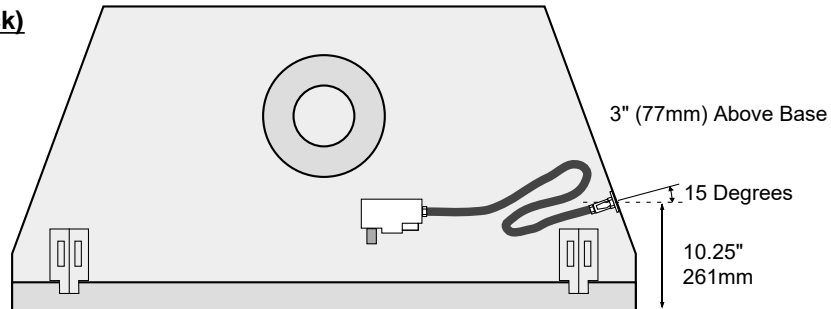
WARNING: The brass screw must be tightened after testing to prevent gas leakage.



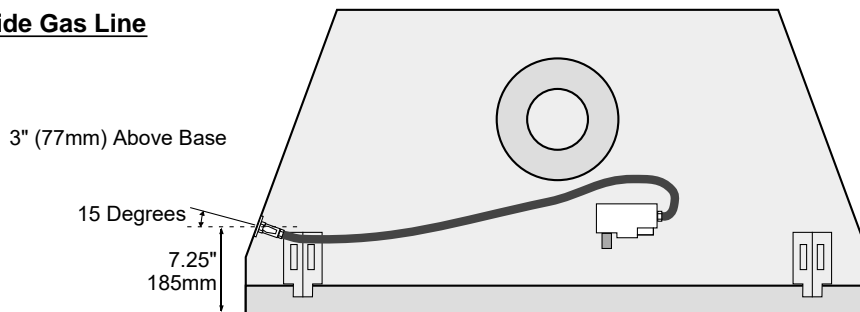
Gas Line Location

NOTE FOR RIGID PIPE: When using rigid pipe, you may wish to disconnect the shutoff valve from the fireplace and route the pipe through the fireplace wall. First, disconnect the gas line from the shutoff valve (see step 1 below). Then remove the shutoff valve from the cover plate (4 screws outside fireplace). The pipe may be routed through the cover plate and the shutoff valve and gas line may be re-attached inside the fireplace.

Right Side Gas Line (Stock)



Left Side Gas Line

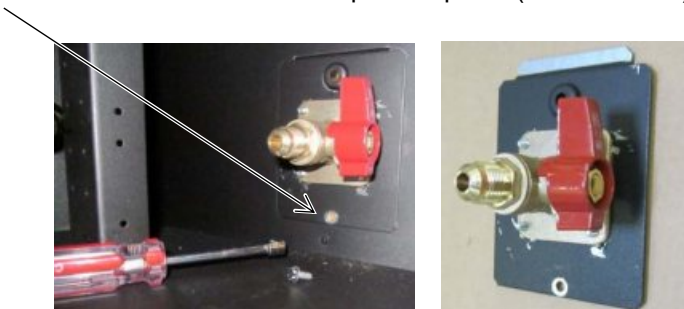


Converting Gas Line to the Left Side

1. Disconnect the gas line from the shutoff valve (3/4" wrench). Gas line is located inside the fireplace on the right side.



2. Remove the screw that holds the shutoff valve plate in place (1/4" nutdriver). Remove the shutoff valve plate.

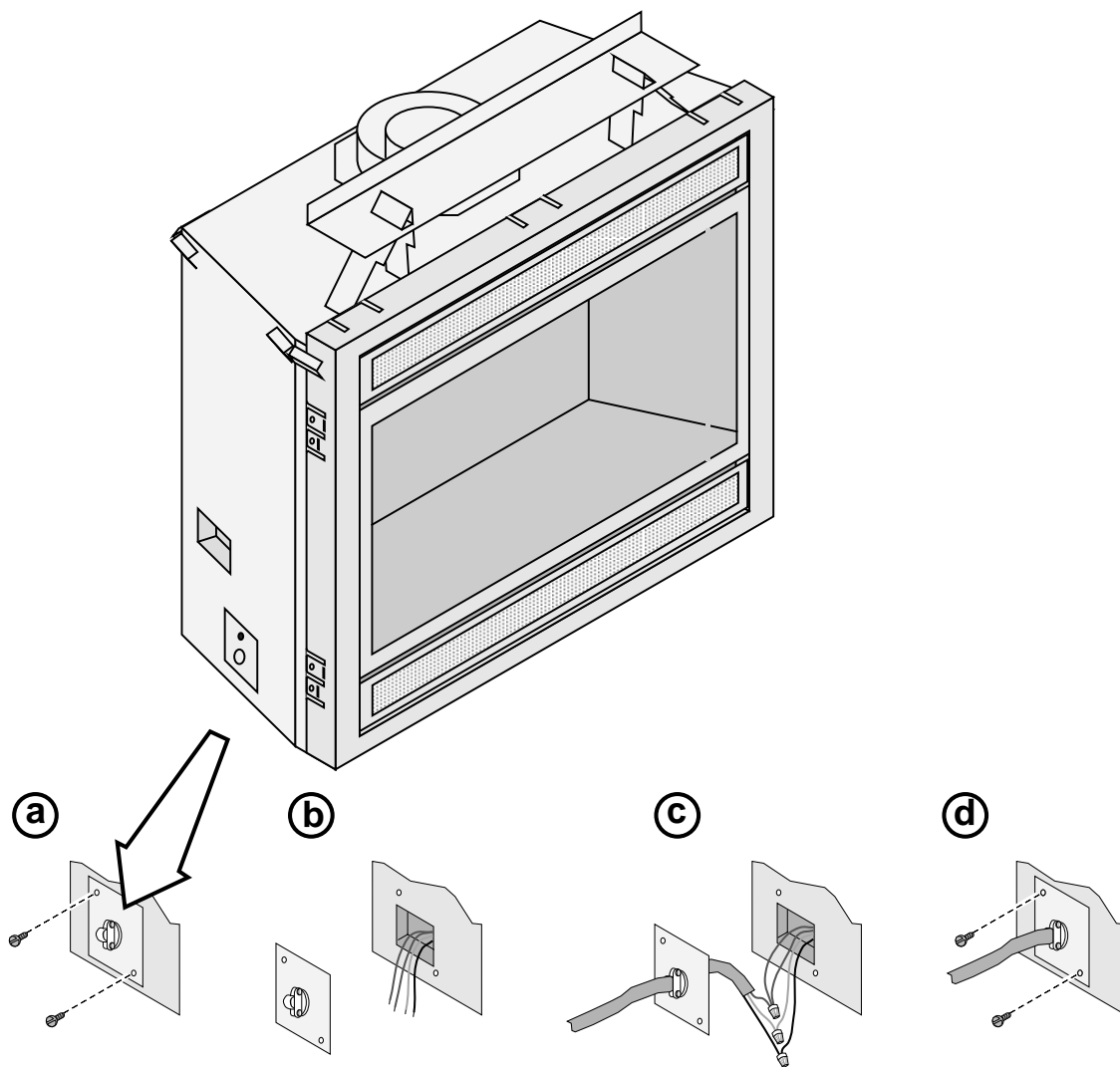


3. Remove the cover plate from the left side of the fireplace (it is held in place in the same fashion as the shutoff valve plate). Attach it to the right side of the fireplace.
4. Attach the shutoff valve plate to the left side of the fireplace. Route the gas line to the left side and re-attach the gas line to the shutoff valve. Make sure to leak test the entire gas line.

Electrical Connection (required)

- The electrical line to the grounded receptacle inside the fireplace must be installed by a qualified installer and must meet all local codes.
- Make sure the household breaker is shut off prior to working on any electrical lines.
- The appliance, when installed, must be electrically grounded in accordance with local codes or, in the absence of local codes, with the National Electrical Code, ANSI/NFPA 70, or the Canadian Electrical Code, CSA C22.1.
- The electrical line must be a min. 14 gauge, and supply 120 Volts at 60 Hz (2 Amps).

Caution: Label all wires prior to disconnection when servicing controls. Wiring errors can cause improper and dangerous operation.



Vent Requirements

- The gas appliance and vent system must be vented directly to the outside of the building, and never be attached to a chimney serving a separate solid fuel or gas-burning appliance. Each direct vent gas appliance must use its own separate vent system.
- In addition to the requirements listed here, follow the requirements provided with the vent.
- A wall thimble is required whenever the vent penetrates a wall (sku# 250-04833). A thimble or firestop (1" clearance) is required when passing through a floor or ceiling (passes through framing members).
- Always use the high-wind termination (if available from the vent manufacturer).

Drafting Performance

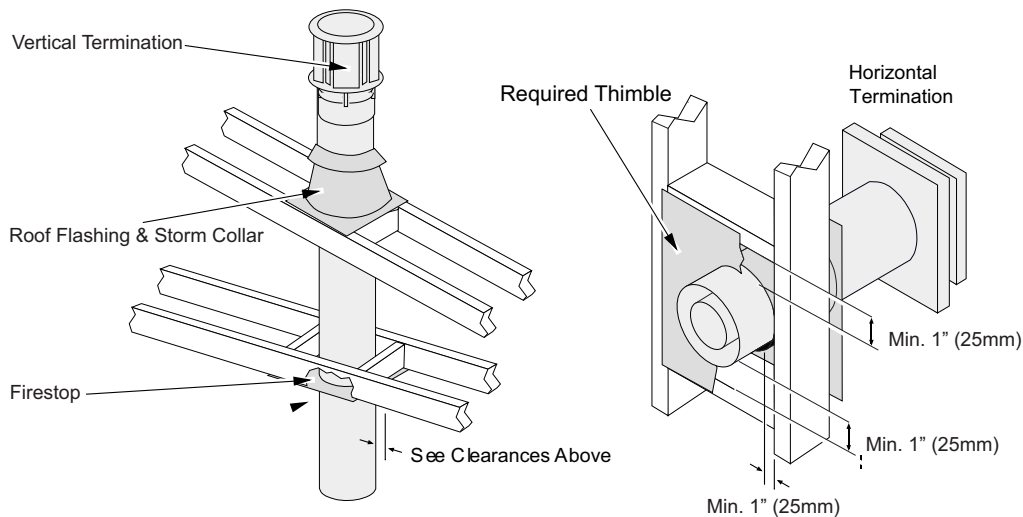
This direct vent appliance requires natural draft to operate (similar to a wood stove or other heating appliance). Draft can be adjusted using the included restrictor. The restrictor settings detailed in the manual should be followed (variations may occur depending upon installation parameters).

Many factors may negatively influence the draft of the appliance. Travis Industries will not be responsible for improper draft due to factors such as trees, hills, buildings, obstructions, excessive wind, extreme hot or cold outdoor temperatures, restrictive vent terminations, or influence from mechanical systems.

Vent Clearances

- The vent must maintain the required clearance to combustible materials to prevent a fire. Do not fill air spaces with insulation.

Sides	1" (25mm)
Above	1" (25mm)
Below Horizontal or 45° Section	1" (25mm)



Altitude Considerations

- This heater has been tested at altitudes ranging from sea level to 6,000 feet (1800M). In this testing we have found that the heater, with its standard orifice, burns correctly with just an air shutter adjustment.
- Failure to adjust the air shutter properly may lead to improper combustion which can create a safety hazard. Consult your dealer or installer if you suspect an improperly adjusted air shutter.

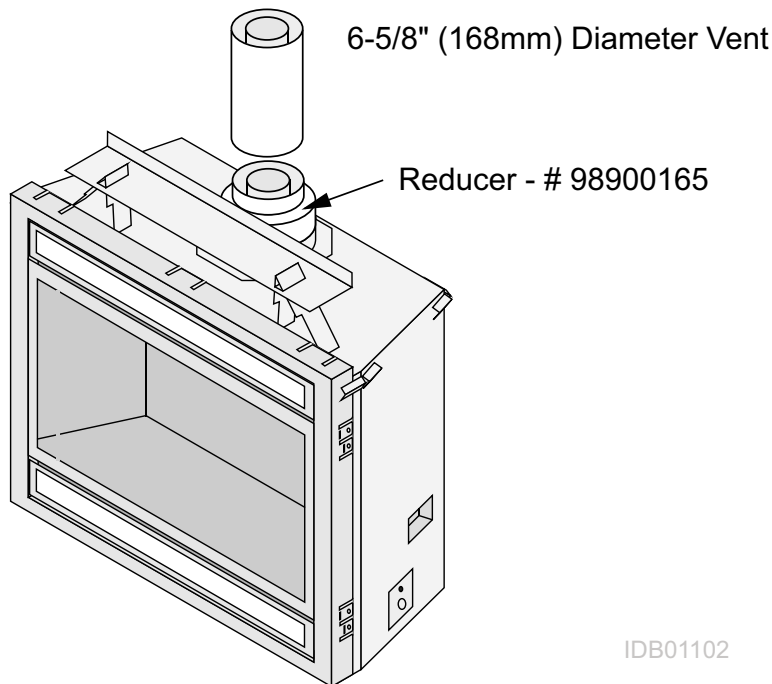
Approved Vent

Rear Vent Configurations

- **Horizontal Terminations:** use 8" (203mm) diameter Dura-Vent Model Direct-Vent Pro*.
- **Vertical Terminations:** use 8" (203mm) diameter Dura-Vent Model Direct-Vent Pro* for the initial horizontal run and 90° upward elbow. Then attach the 8" (203mm) to 6-5/8" (168mm) reducer (Travis part # 98900165) to the elbow. Use 6-5/8" (168mm) diameter Dura-Vent Direct-Vent Pro for the remaining vent.

Top Vent Configurations

- Use 6-5/8" (168mm) diameter Dura-Vent Direct-Vent Pro. Attach the 8" (203mm) to 6-5/8" (168mm) reducer (Travis part # 98900165) to the fireplace.



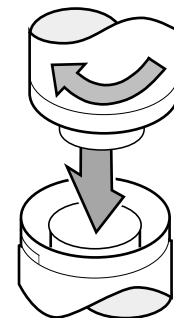
* Other vent may be approved with this fireplace. Check with the vent manufacturer for details.

Termination

- Always use the high-wind cap (part # 58DVA-HC, 58DVA-VCH, 46DVA-VCH).

Vent Installation

- Installation instructions for Dura-Vent may be found at www.duravent.com
- Slide the vent sections together and turn 1/4 turn until the sections lock in place.
- Screws are not required to secure the vent. However, three screws may be used to secure vent sections together if desired.
- High temperature sealant is recommended at the appliance starter section connection (use high-temperature silicone or Mill-Pac®).
- If disassembly is required, at time of re-assembly check to see if the vent creates a tight fit. If it does not, apply high temperature sealant to the joints of the affected sections.
- Horizontal sections require a 1/4" (6mm) rise every 12" (305mm) of travel
- Horizontal sections require non-combustible support every three feet (e.g.: plumbing tape)



Approved Vent Configurations

Restrictor Position

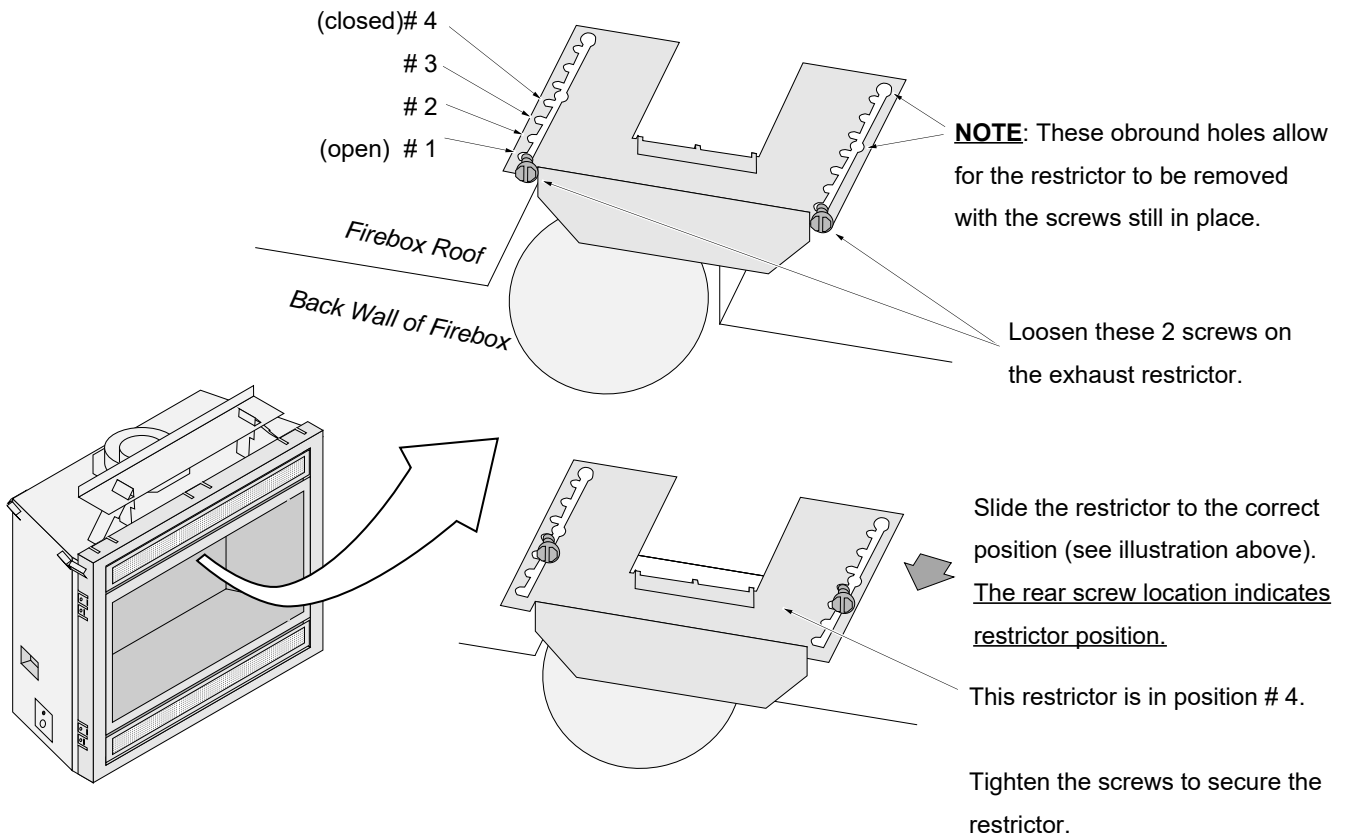
- Intake and exhaust restrictors are built into the appliance to adjust the flow rate of intake air and exhaust gases. Depending upon the vent configuration, you may be required to adjust the restrictor positions. The charts for acceptable vent configurations detail the correct vent restrictor positions.

Exhaust Restrictor Adjustment

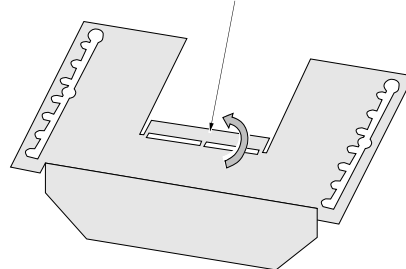


If the diffuser is required to be in position # 2, you may wish to adjust the diffuser while the exhaust restrictor is removed.

NOTE: If removing the restrictor, make sure to replace the screws in the firebox ceiling.

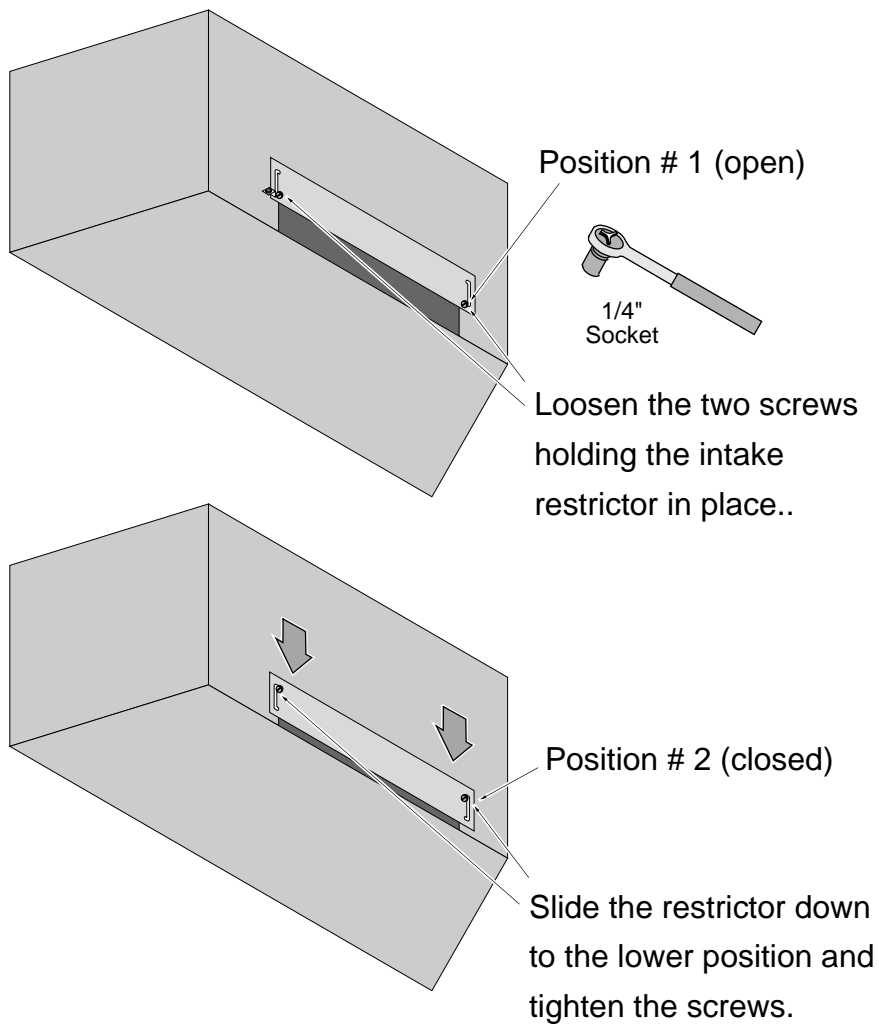


**WHEN USING POSITION #4 (OR GREATER)
BEND THIS FLANGE DOWN FLAT**



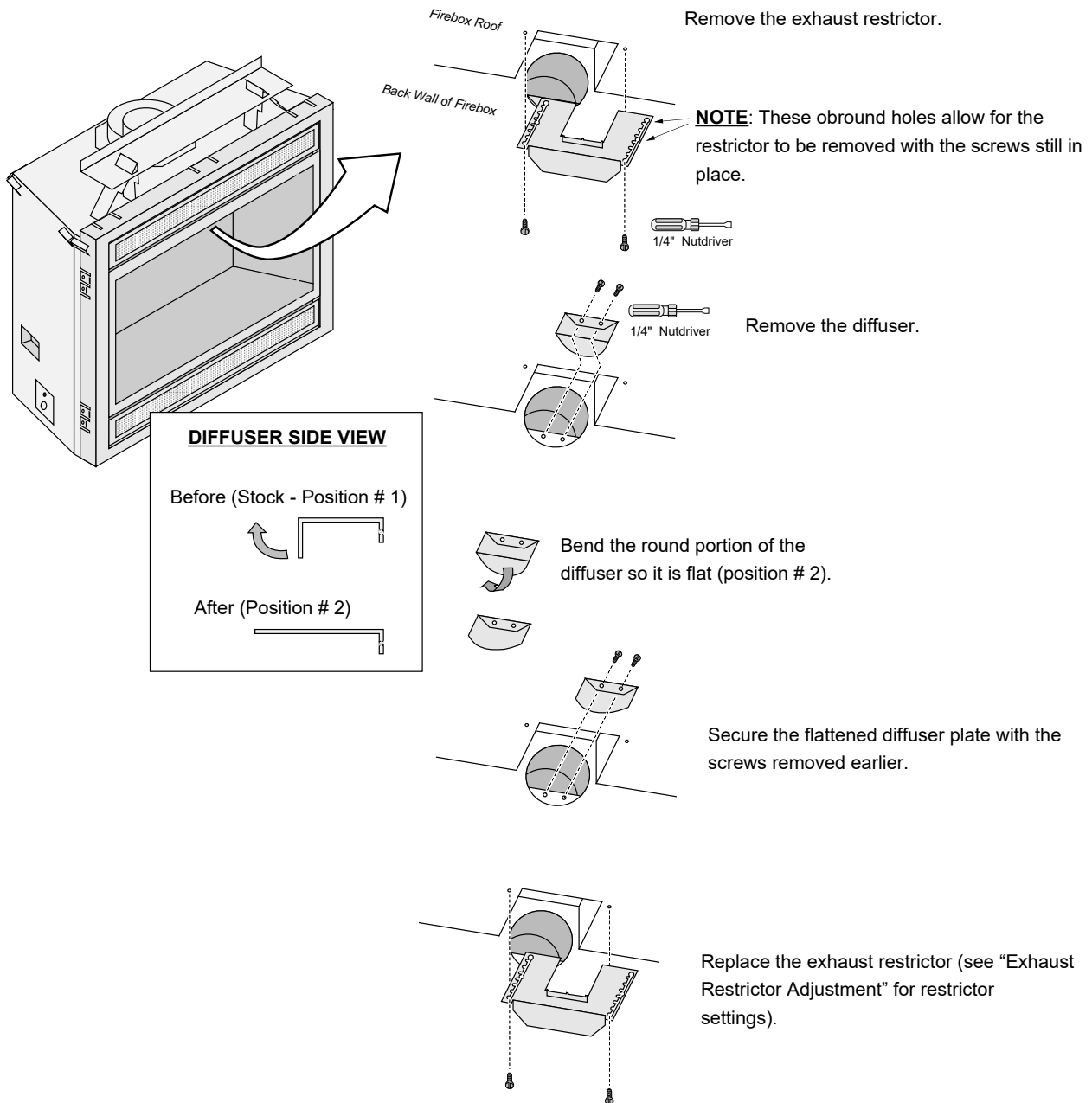
Intake Restrictor Adjustment

The intake restrictor is located on the back wall of the firebox. To adjust the restrictor, follow the steps below:



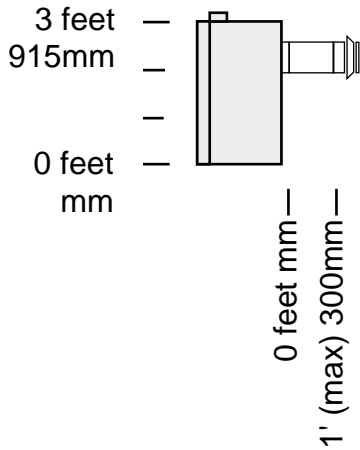
Diffuser Plate Adjustment

Certain vent configurations require the diffuser plate to be adjusted (refer to the approved vent configuration charts for details). Position # 1 is stock (bent). Position # 2 is flattened. See the directions below to change the diffuser to position #2.



Rear Vent Configuration with Horizontal Termination (no vertical rise)

- The termination must fall within the shaded area shown in the chart. Use the indicated restrictor and diffuser positions.
- Use 8" diameter vent.

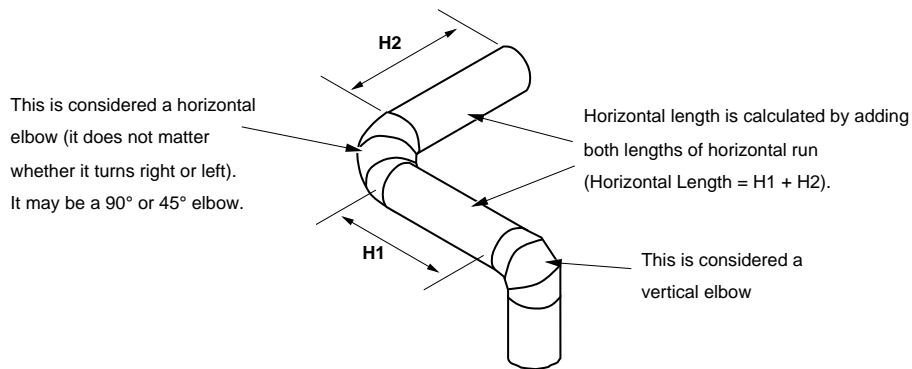
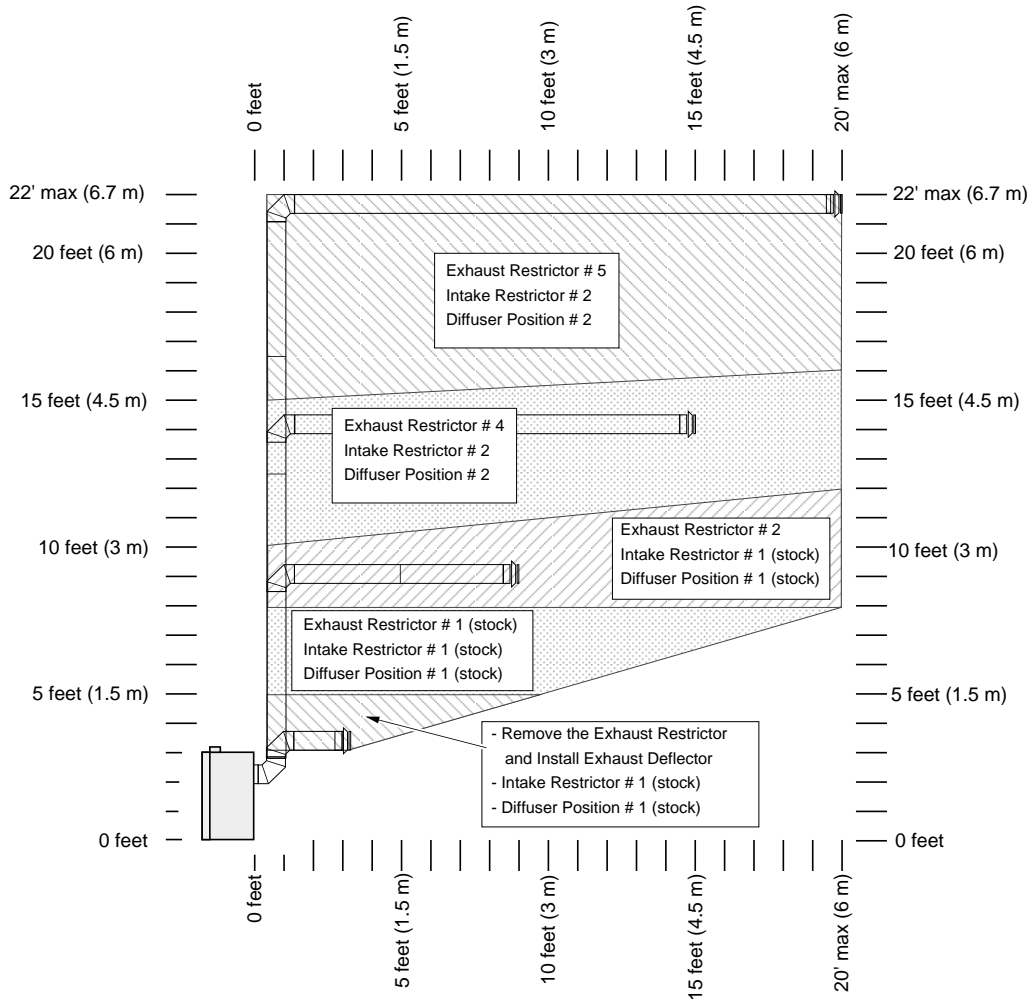


- Remove the Exhaust Restrictor and Install Exhaust Deflector
- Intake Restrictor # 1 (stock)
- Diffuser Position # 1 (stock)

- Max. 12" (102mm) Horizontal Section
- No Elbows Allowed

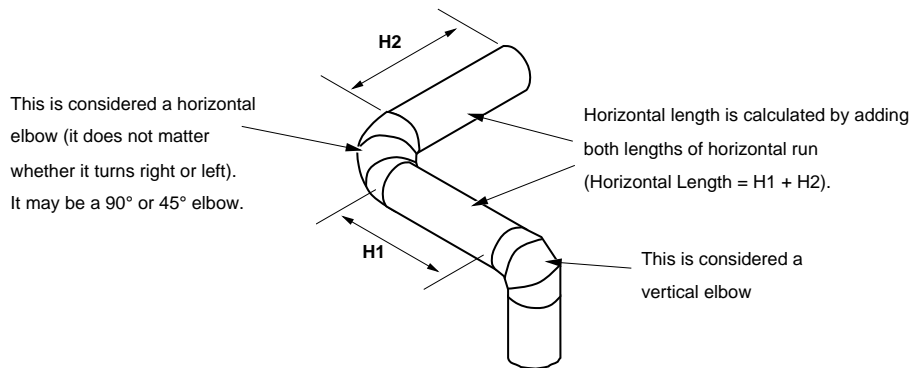
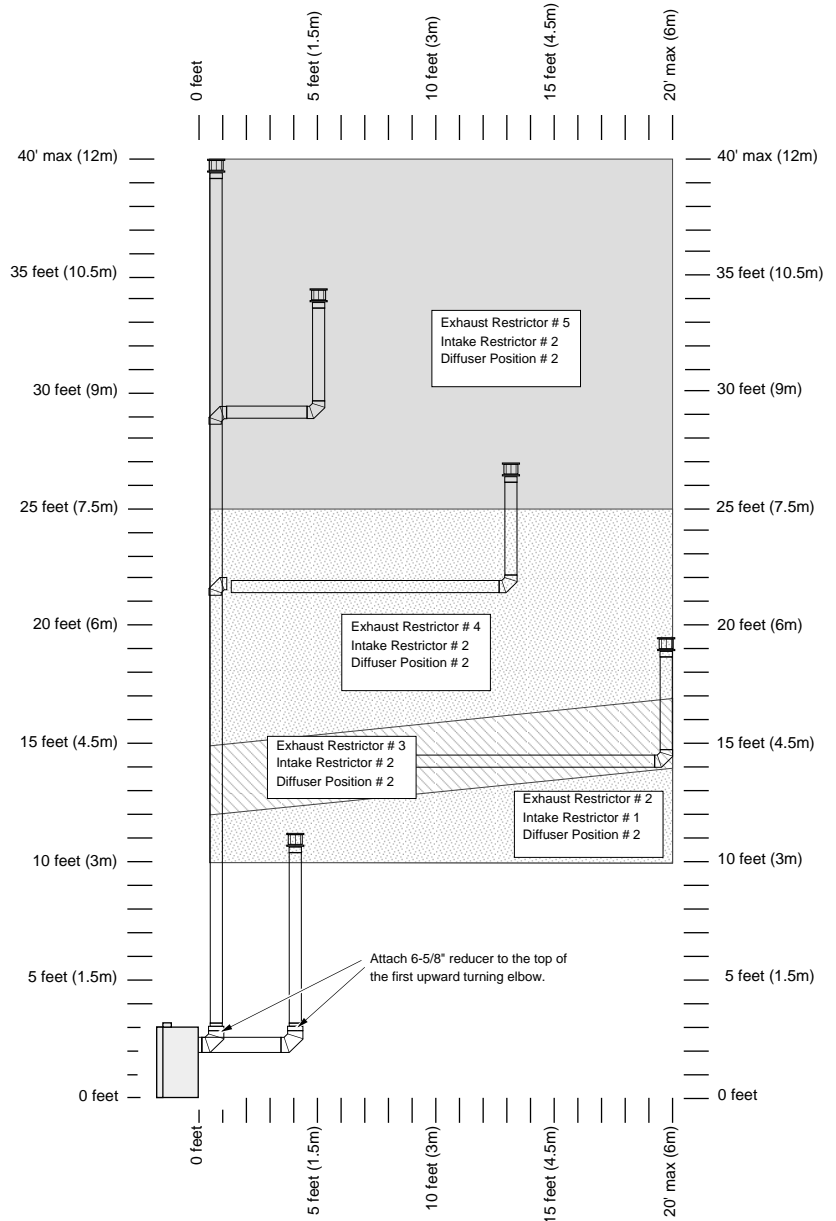
Rear Vent Configuration with Horizontal Termination (with vertical rise)

- The termination must fall within the shaded area shown in the chart. Use the indicated restrictor and diffuser positions.
- Up to four elbows (45° or 90°) may be used.
- Only one horizontal elbow may be used.
- Use 8" diameter vent.



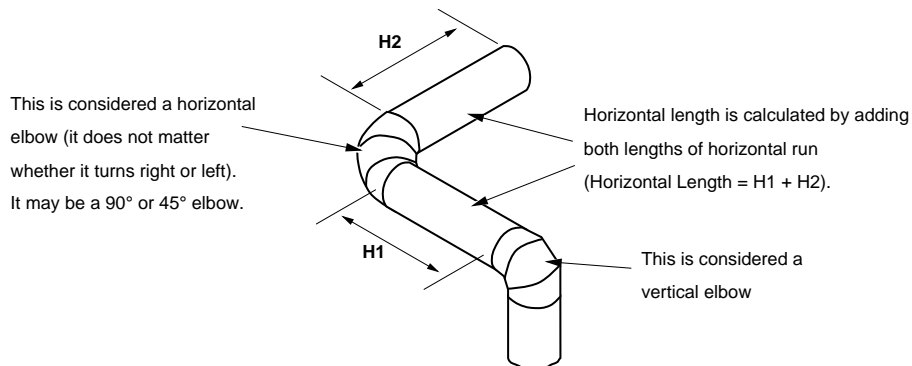
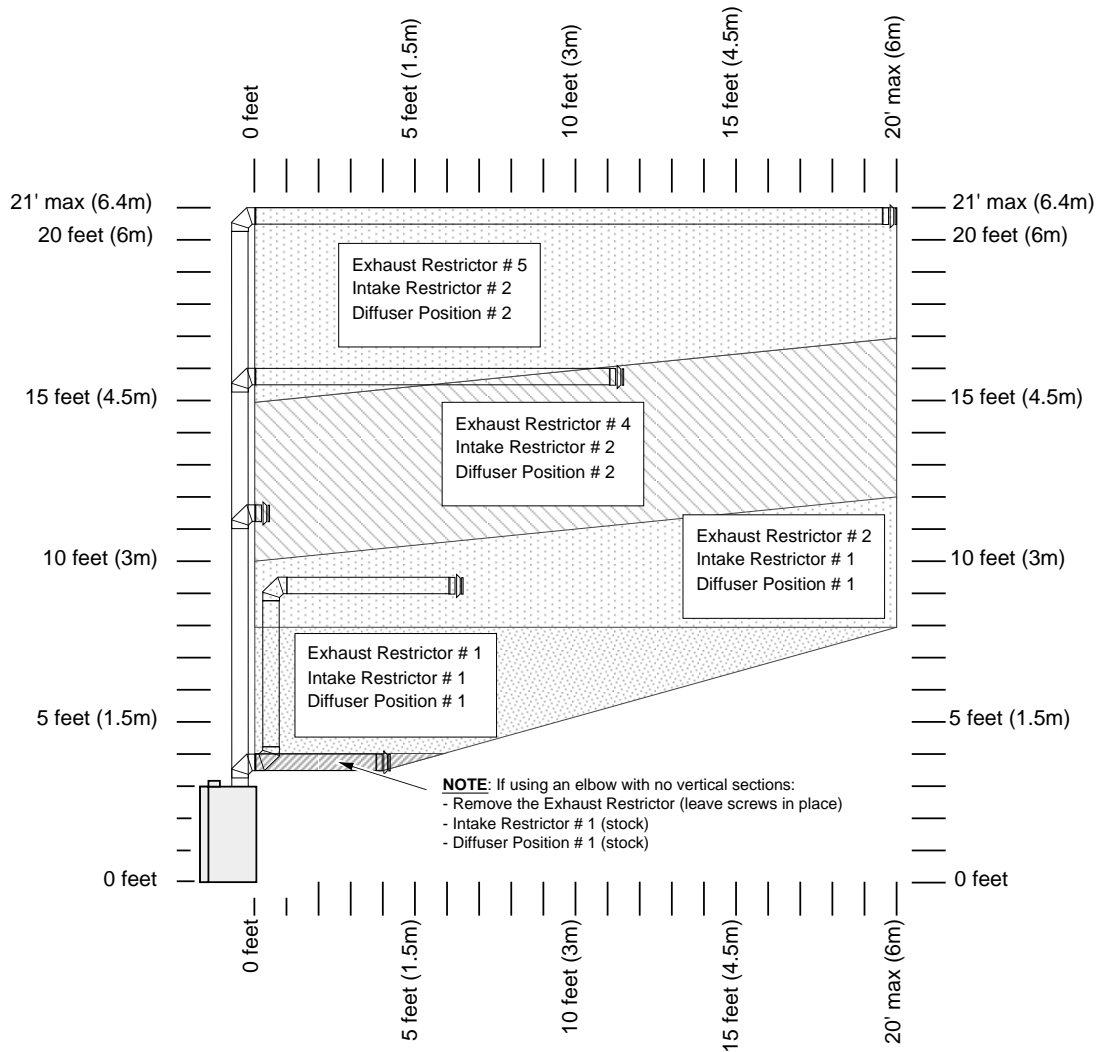
Rear Vent Configuration with Vertical Termination

- The termination must fall within the shaded area shown in the chart. Use the indicated restrictor and diffuser positions.
- Up to four elbows (45° or 90°) may be used.
- Only one horizontal elbow may be used.
- Use 8" (203mm) diameter vent for the initial horizontal run and 90° upward elbow. Then attach the 8" (203mm) diameter vent to 6-5/8" (168mm) reducer (Travis part # 98900165) to the elbow. Use 6-5/8" (168mm) diameter vent for the remaining vent.



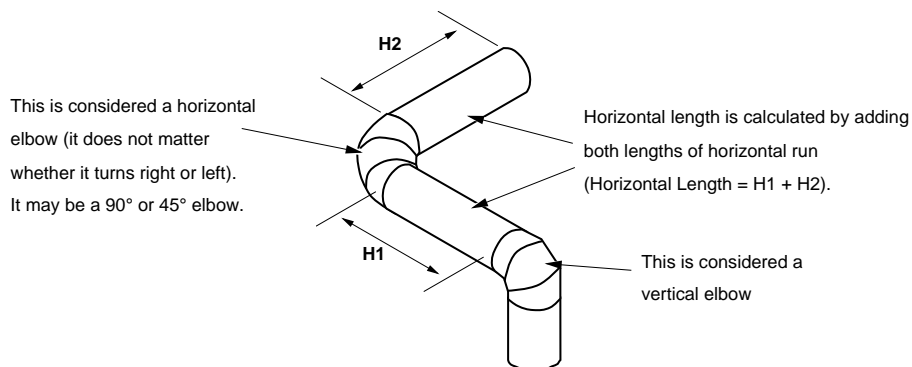
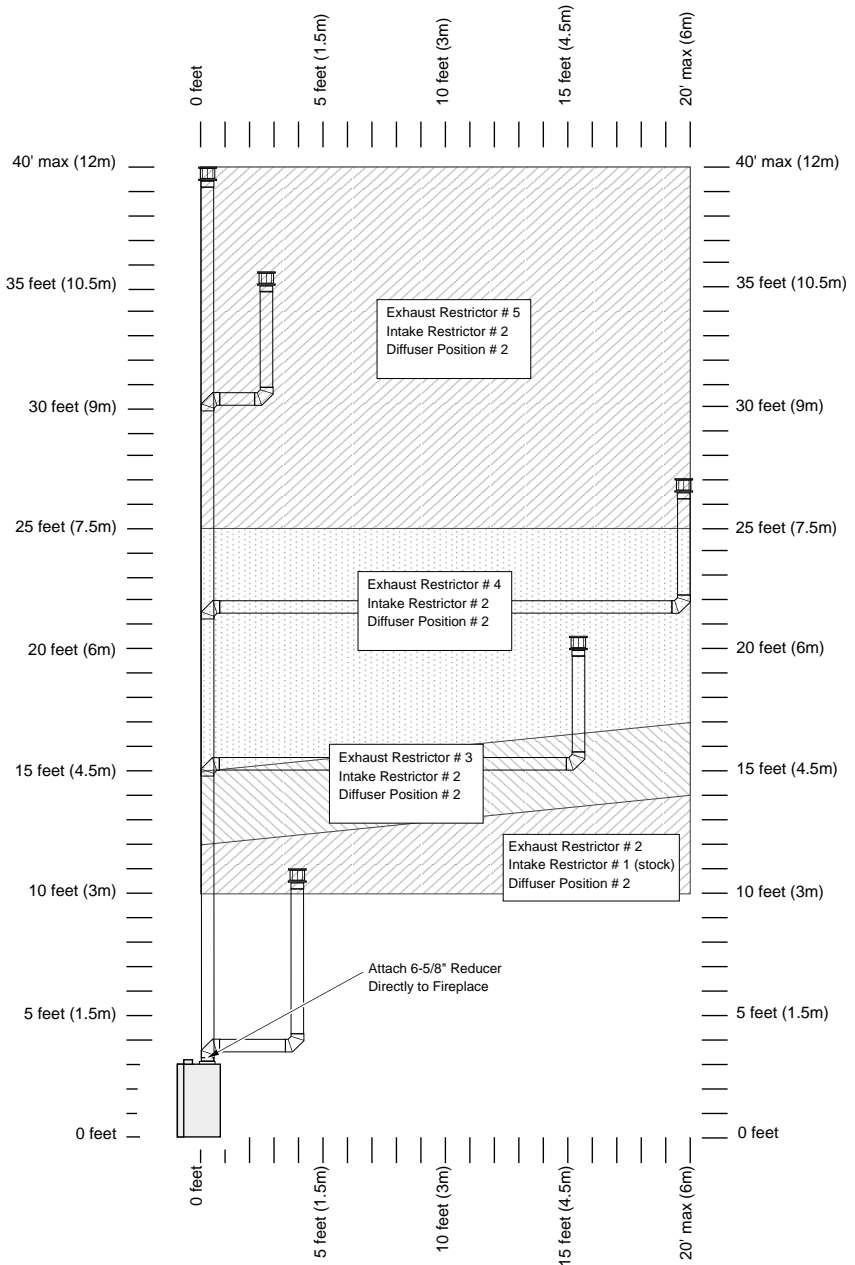
Top Vent Configuration with Horizontal Termination

- The termination must fall within the shaded area shown in the chart. Use the indicated restrictor and diffuser positions.
- Up to four elbows (45° or 90°) may be used.
- Use 8" vent.
- Only one horizontal elbow may be used.



Top Vent Configuration with Vertical Termination

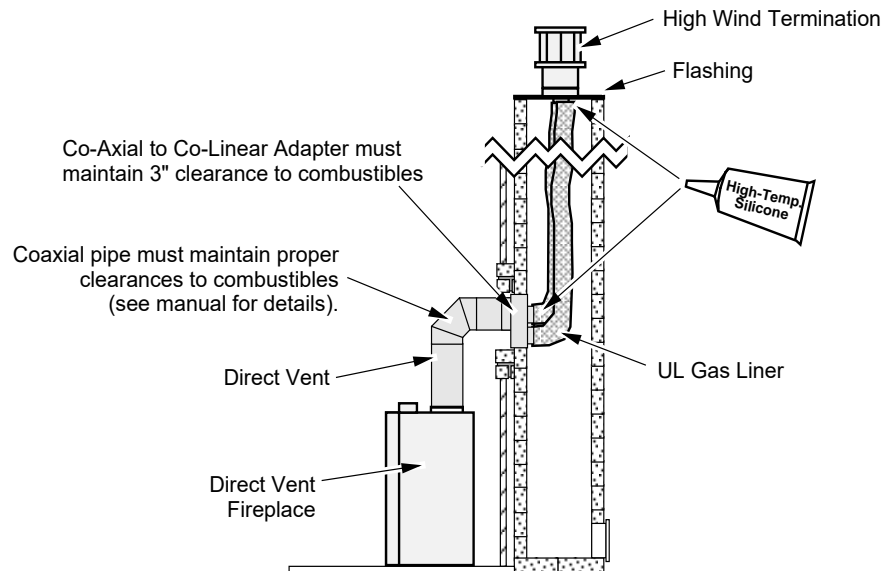
- The termination must fall within the shaded area shown in the chart. Use the indicated restrictor and diffuser positions.
- Up to four elbows (45° or 90°) may be used.
- Only one horizontal elbow may be used.
- Use 6-5/8" diameter vent. Attach the 8" to 6-5/8" reducer (Travis part # 98900165) to the fireplace.



Masonry Chimney Conversions

This appliance may utilize 6-5/8" diameter direct vent manufactured by Duravent (reducer may be required). The vent may be adapted to utilize an existing masonry fireplace using the Duravent Co-Linear Adapter (46DVA-GCL or TCL). The vent must be installed following all directions included with the vent and those listed below:

- All requirements in the appliance manual must be met. This includes compliance with vent configuration charts.
- The restrictor position should be set to the position that most closely resembles the vent configuration. NOTE: because this installation utilizes non-standard vent, the restrictor position may vary. Carefully monitor the burn characteristics to verify correct restrictor position.
- The UL gas liner must only be run through the fireplace/chimney (entire length of liner must be retained within the fireplace/chimney). Do not run the liner near combustibles.



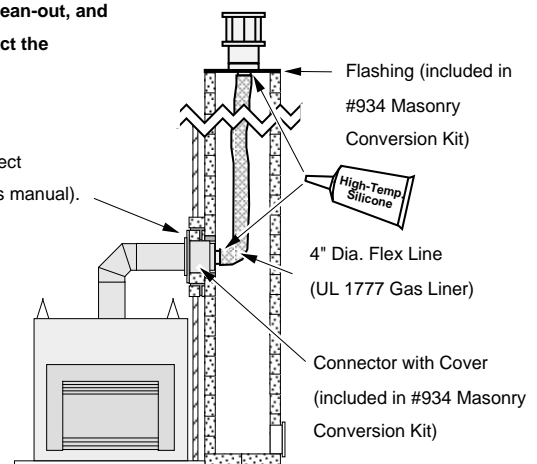
This appliance may utilize 6-5/8" diameter direct vent manufactured by Duravent (reducer may be required). The vent may be adapted to utilize an existing masonry fireplace using the Duravent Masonry Chimney Conversion Kit (part # 46DVA-KCT). The vent must be installed following all directions included with the vent and those listed below:

NOTE: Before proceeding with the following installation example, check with the local building jurisdiction to verify that this type of installation is allowed in your area.

- All requirements in the appliance manual must be met. This includes compliance with vent configuration charts.
- The restrictor position should be set to the position that most closely resembles the vent configuration. NOTE: because this installation utilizes non-standard vent, the restrictor position may vary. Carefully monitor the burn characteristics to verify correct restrictor position.
- The UL gas liner must only be run through the fireplace/chimney (entire length of liner must be retained within the fireplace/chimney). Do not run the liner near combustibles.

The entire chimney system must be air-tight.
Make sure to seal the flashing, clean-out, and thimble connection, and to inspect the chimney.

Make sure the coaxial pipe maintains the correct clearance to any combustible (see the owner's manual).
The vent must be sealed air-tight.



Class A Chimney Conversion

DuraVent provides a conversion kit for those wishing to use an existing class A chimney to vent this direct fireplace. The illustration below gives an overview of this type of installation. See the instructions included with the kit for details.

- All requirements in the appliance manual must be met. This includes compliance with vent configuration charts. Remember to set the restrictor position to the correct position (based upon the vertical rise height - see the vent charts in the appliance manual).
- These conversion kits does not work on interior masonry chimneys.
- The measurements below refer to the Chimney Inside Diameter

Chimney Conversion Kit A (46DVA-KCA)

6" DuraTech
6" Security Chimney
6" Metalbestos
6" Jackes-Evans
6" Hart & Cooley
6" Pro-Jet

Chimney Conversion Kit B (46DVA-KCB)

6" DuraPlus
7"-8" DuraTech
8" Security Chimneys
7"-8" Metalbestos
7"-8" Jackes-Evans
7"-8" Hart & Cooley
7"-8" Pro-Jet
6"-7" Amer. Metals
6"-7" Metal-Fab
6" Air-Jet

Chimney Conversion Kit C (46DVA-KCC)

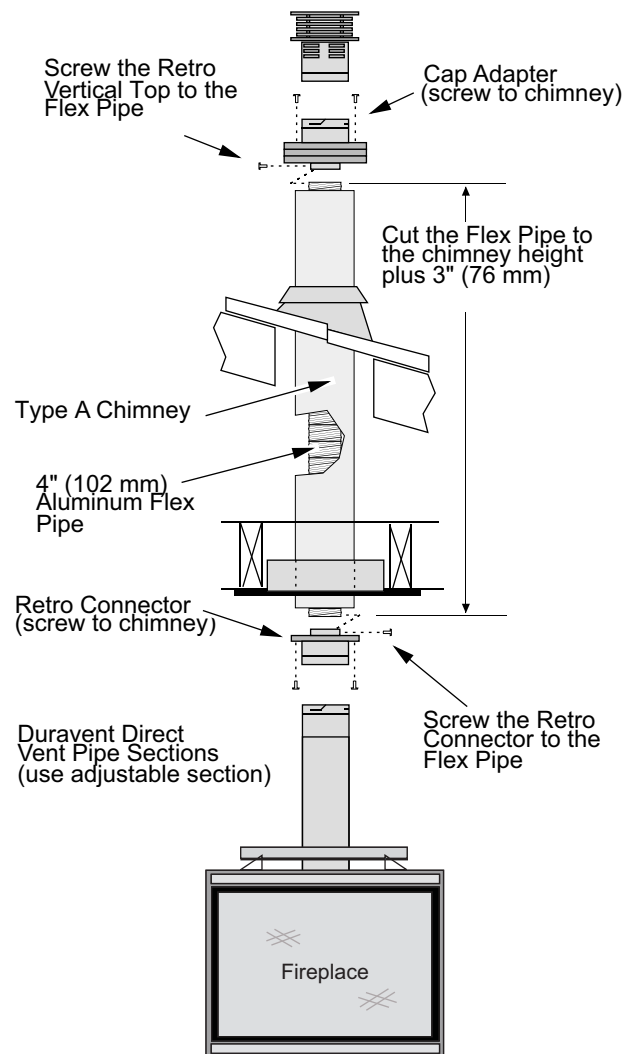
7"-8" DuraPlus
8" American Metals
8" Air-Jet
8" Metal-Fab

Each Kit Contains:

Cap Adapter
Retro Connector

Additional Required Equipment:

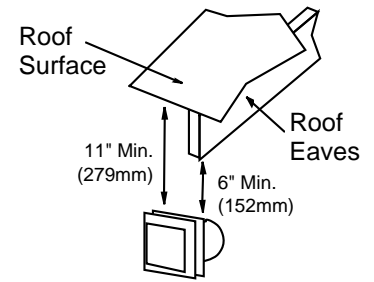
4" Flex (#711 or U.L. 1777)
Termination (46DVA-VCH)
Co-Axial Sections



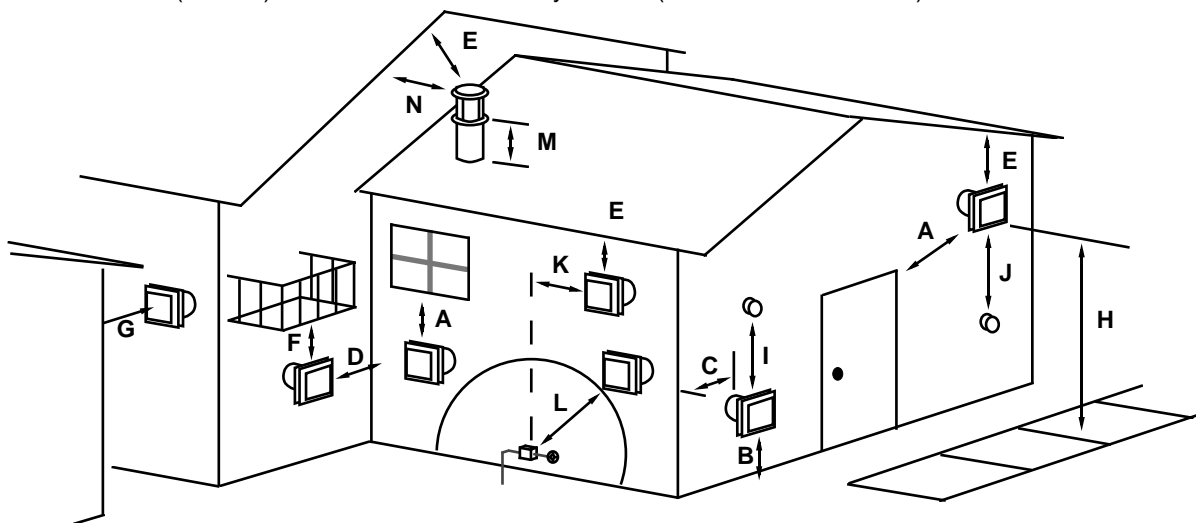
Termination Requirements

! Venting terminals shall not be recessed into a wall or siding.

- A Minimum 9" (229mm) clearance from any door or window
- B Minimum 12" (305mm) above any grade, veranda, porch, deck or balcony
- C Minimum 1" (25mm) from outside corner walls
NOTE: Clearance in accordance with local installation codes and the requirements of the gas supplier.
- D Minimum 1" (25mm) from inside corner walls
NOTE: Clearance in accordance with local installation codes and the requirements of the gas supplier.



- E Minimum 11" (279mm) clearance below unventilated soffits or roof surfaces
Minimum 18" (457mm) clearance below ventilated soffits
Minimum 6" (152mm) clearance below roof eaves
NOTE: Vinyl surfaces require 24" (610mm)
NOTE: Clearance in accordance with local installation codes and the requirements of the gas supplier.
- F Minimum 12" (305mm) clearance below a veranda, porch, deck or balcony
NOTE: Permitted only if veranda, porch, deck, or balcony is fully open on a minimum of two sides beneath the floor.
NOTE: Clearance in accordance with local installation codes and the requirements of the gas supplier.
- G Minimum 48" (1219mm) clearance from any adjacent building
- H Minimum 84" (2134mm) clearance above any grade when adjacent to public walkways or driveways
NOTE: may not be used over a walkway or driveway shared by an adjacent building
- I Minimum 9" (229mm) clearance to any non-mechanical air supply inlet to the building or the combustion air inlet to any other appliance.
- J Minimum 36" (914mm) clearance above any mechanical air supply inlet if within 10' (3M) horizontally
- K Minimum 36" (914mm) from the area above the meter/regulator (vent outlet) - this extends 15' (4.5M) above the regulator
NOTE: Clearance in accordance with local installation codes and the requirements of the gas supplier.
- L Minimum 36" (914mm) from the meter/regulator (vent outlet)
NOTE: Clearance in accordance with local installation codes and the requirements of the gas supplier.
- M Minimum 12" (305mm) above the roof line (for vertical terminations)
- N Minimum 24" (610mm) horizontal clearance to any surface (such as an exterior wall) – for vertical terminations

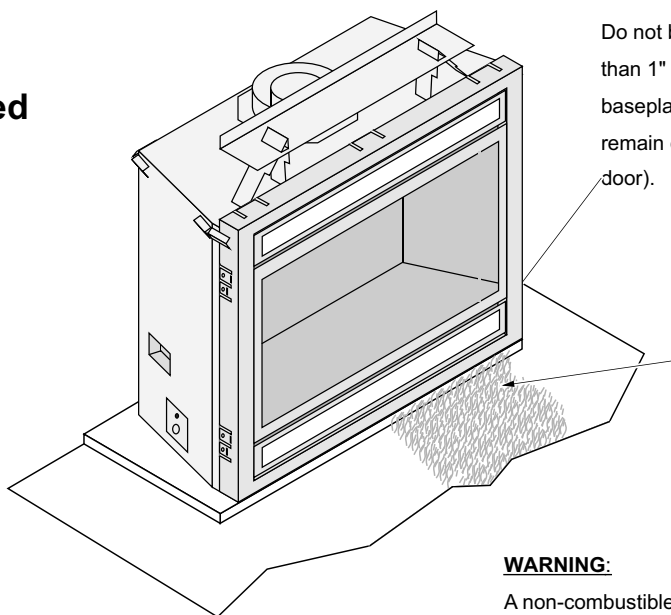


NOTE: Measure clearances to the nearest edge of the exhaust hood.

- Use the vinyl siding standoff when installing on an exterior with vinyl siding.
- Vent termination must not be located where it will become plugged by snow or other material

Hearth Requirements

Floor Mounted Fireplaces



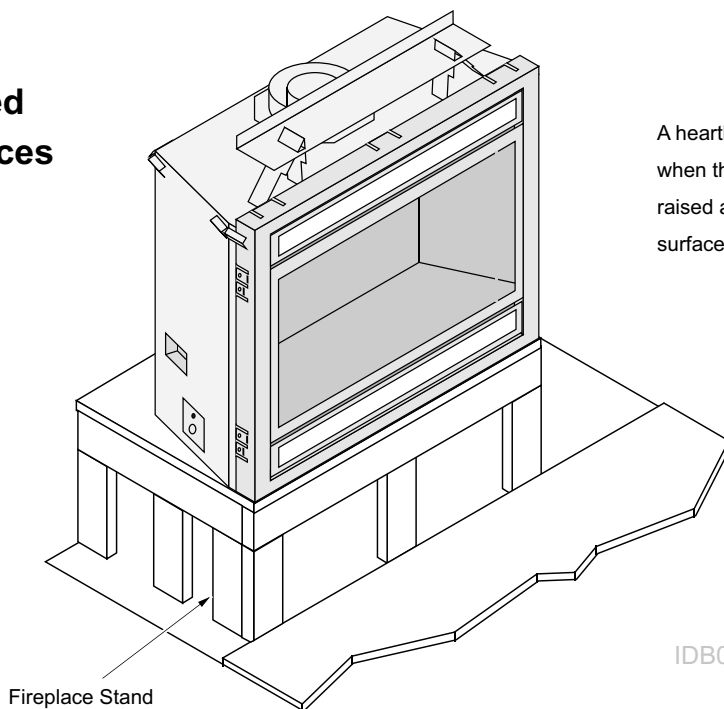
Do not build a hearth more than 1" (25mm) above the baseplate (this area must remain clear for the access door).

If installed near carpet or other combustible flooring, the fireplace must be raised so the base of the unit is above the carpet surface or flooring material.

WARNING:

A non-combustible hearth is not required. However, if the heater is installed next to the floor, we recommend a hearth to protect the flooring surface from discoloration or other negative impact from the heater.

Raised Fireplaces



A hearth is not required when the fireplace is raised above the flooring surface.

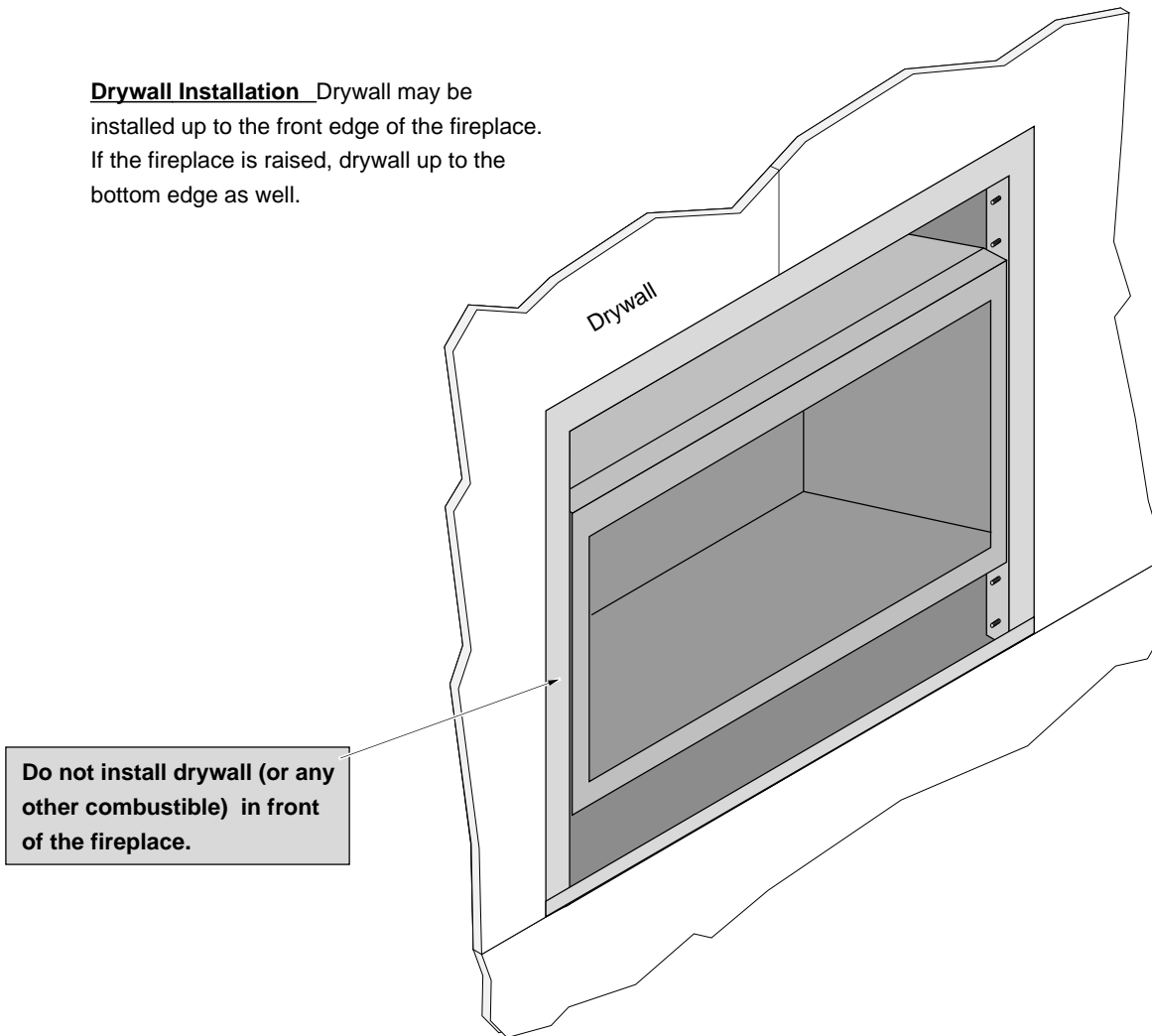
IDB01112

Facing Requirements

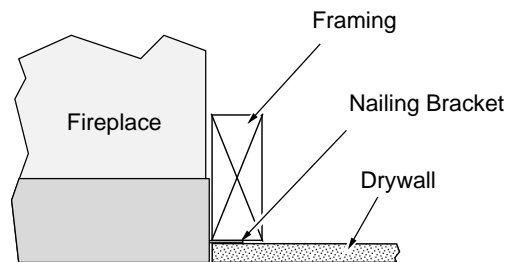
- This appliance is designed to allow for drywall (or other combustible facing) to contact the sides and top of the front of the fireplace.
- Tile or other non-combustible facing may be placed on the front of the fireplace (see "Facing Overview" on page 37 for further details).

Drywall Installation

Drywall Installation Drywall may be installed up to the front edge of the fireplace. If the fireplace is raised, drywall up to the bottom edge as well.



TOP VIEW



Facing Overview



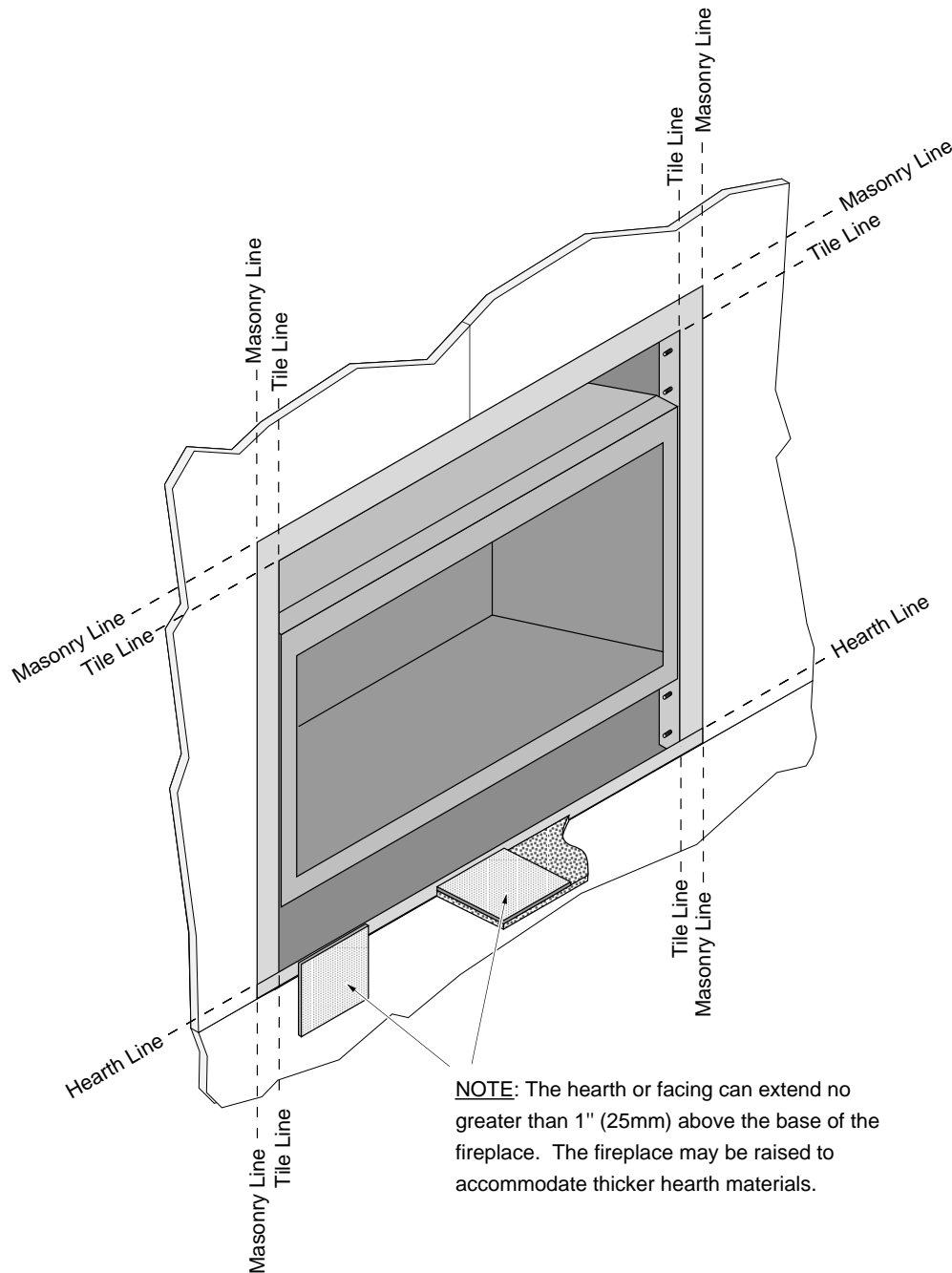
Upgrade faces are available for this fireplace and may influence facing installation. Consult with your Travis Dealer if you are using an upgrade face.

Optional non-combustible facing may be installed on the fireplace. Use the guidelines below to determine the location (also see the following pages for detailed diagrams).

Tile Line Any non-combustible facing under 1" (25mm) thick (see "Thin Facing" on page 38).

Masonry Line Any non-combustible over 1" (25mm) thick (see "Thick Facing" on page 40).

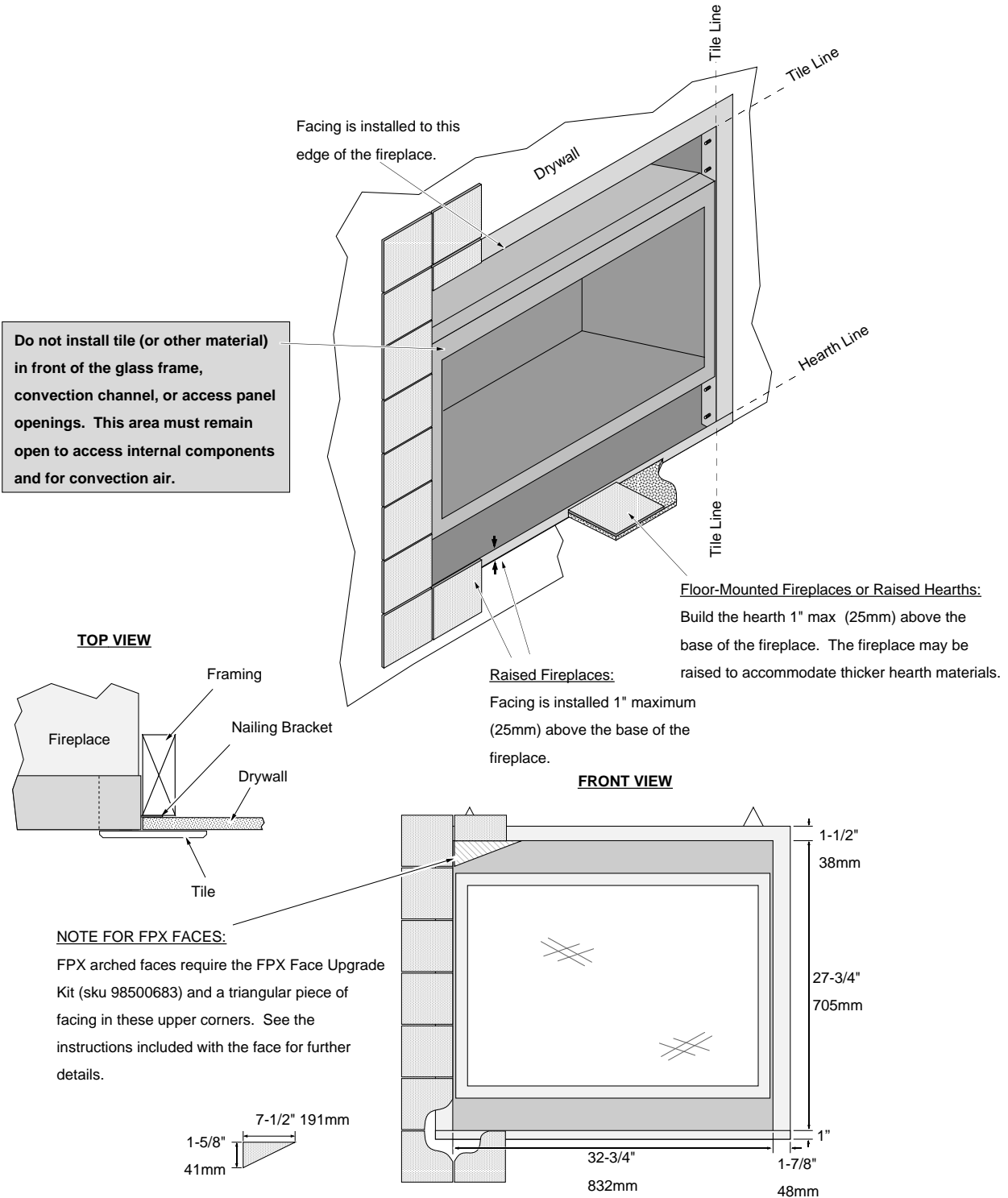
Hearth Line Non-combustible hearth/facing should be installed up to this location (1" (25mm) above the base of the fireplace). The fireplace may be raised to accommodate thicker hearth materials.



Thin Facing Installation (tile, marble, or other non-combustible under 1" (25mm) thick)

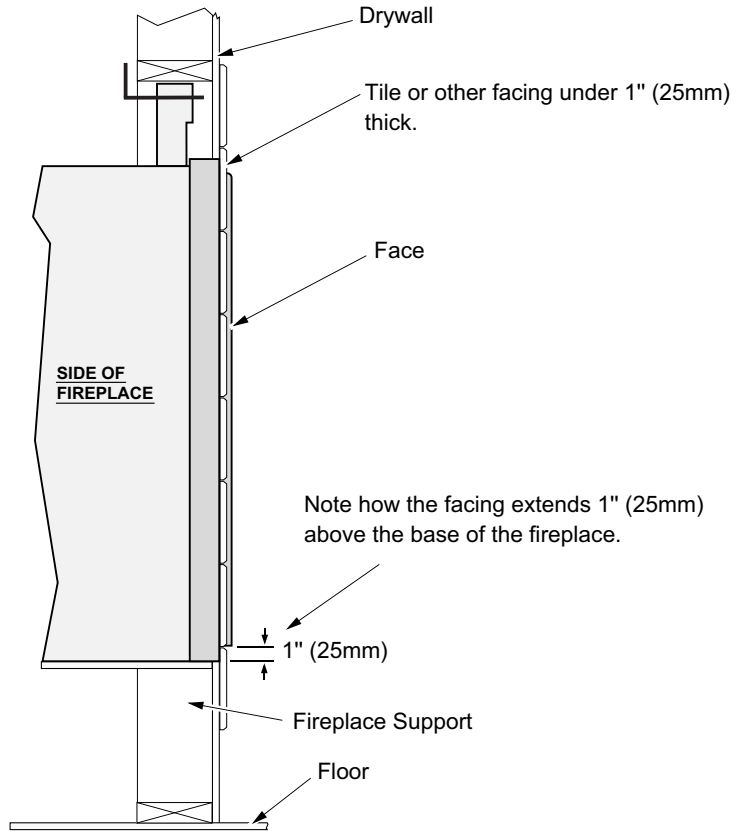


Upgrade faces are available for this fireplace and may influence facing installation. Consult with your Travis Dealer if you are using an upgrade face.

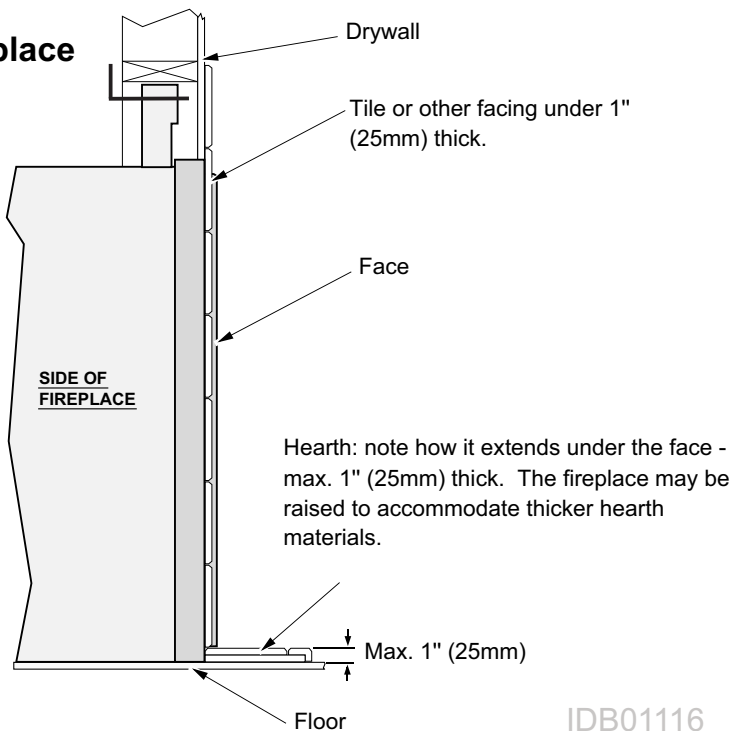


Thin Facing Installation (tile, marble, under 1" (25mm) thick) - Side View

Raised Fireplace (with no Hearth)



Floor-Mounted Fireplace (with Hearth)



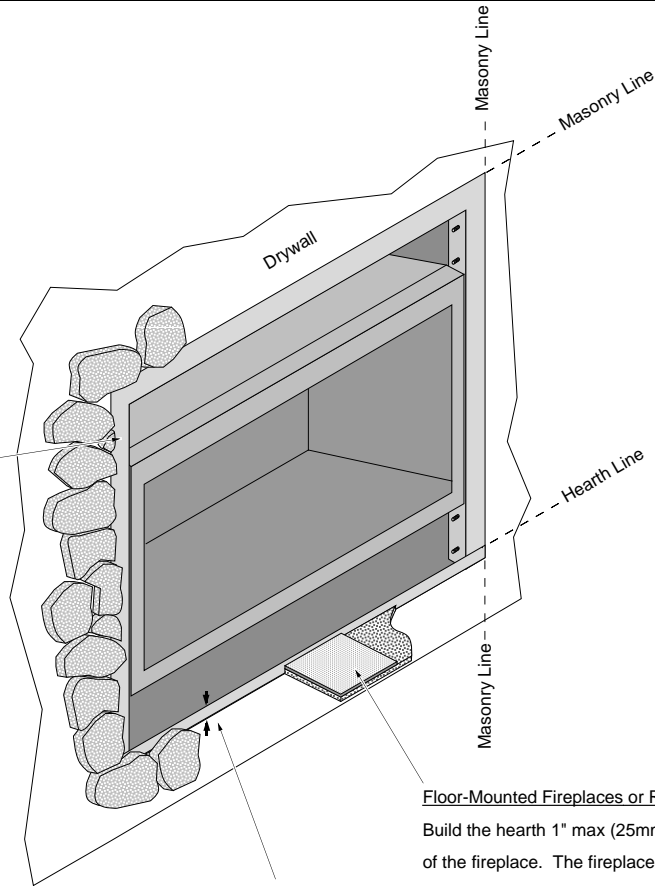
IDB01116

Thick Facing Installation (stone, brick, or other non-combustible over 1" (25mm) thick)

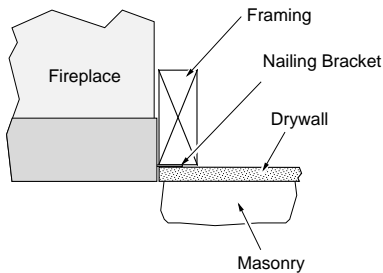


If using a Fireplace Xtordinair (FPX) arched face, see "Thick Facing with a Fireplace Xtordinair Arched Faces" on page 41.

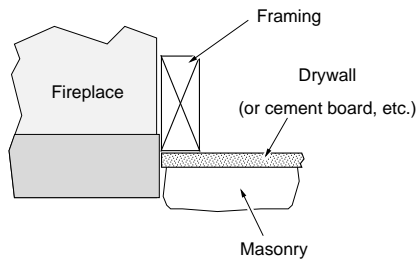
Do not install masonry (or other material) in front of the fireplace. This area must remain open to install the face.



TOP VIEW - Protruding Masonry



TOP VIEW - Recessed Masonry

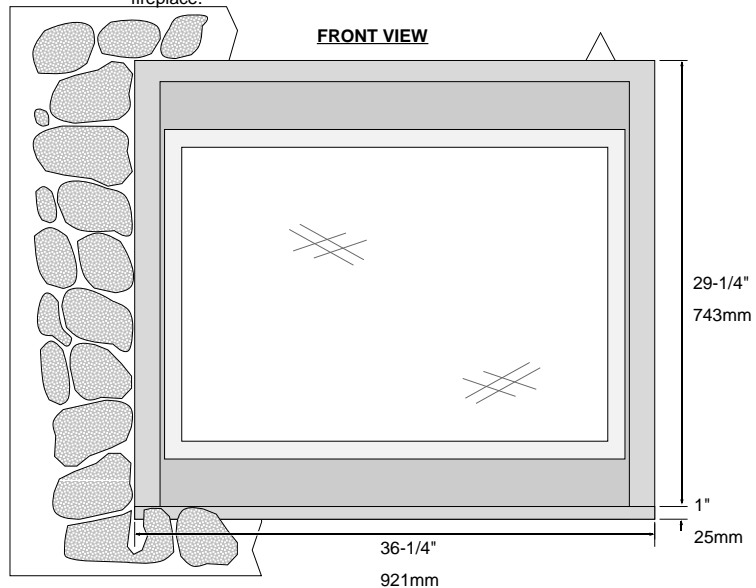


NOTE: The nailing brackets are not used for this type of installation - secure the fireplace to the floor with the brackets along the base of the fireplace.

Floor-Mounted Fireplaces or Raised Hearths:
Build the hearth 1" max (25mm) above the base of the fireplace. The fireplace may be raised to accommodate thicker hearth materials.

Raised Fireplaces:
Masonry is installed 1" (25mm) (maximum) above the base of the fireplace.

FRONT VIEW

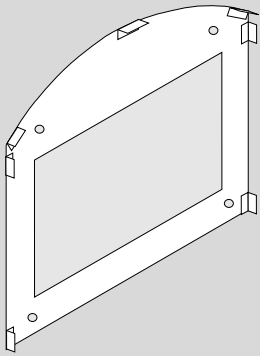


Thick Facing with Fireplace Xtrordinair (FPX) Arched Faces

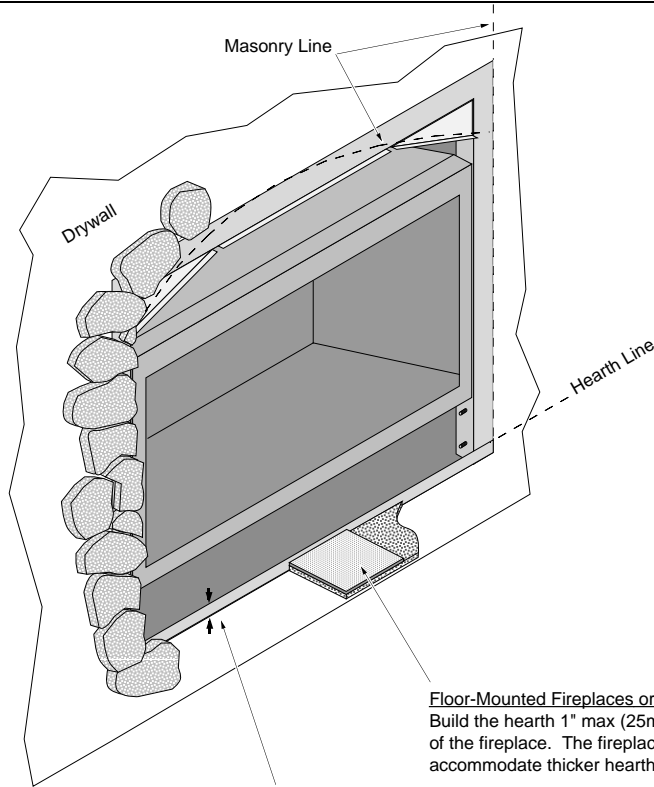
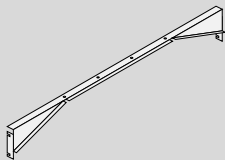


The following illustration shows facing considerations for those fireplaces utilizing FPX arched faces. The facing must be non-combustible and over 1" (25mm) in depth.

The Fireplace Xtrordinair 564 Masonry Template is recommended for masonry installation (sku 98500674). The template helps locate and support the masonry as it being installed.



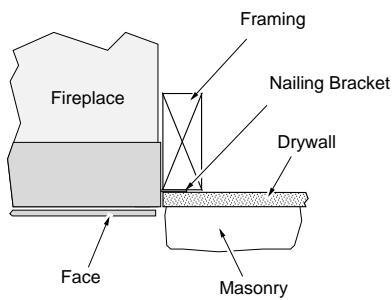
Before installing masonry, install the FPX Face Upgrade Kit (98500683). This covers the upper corners.



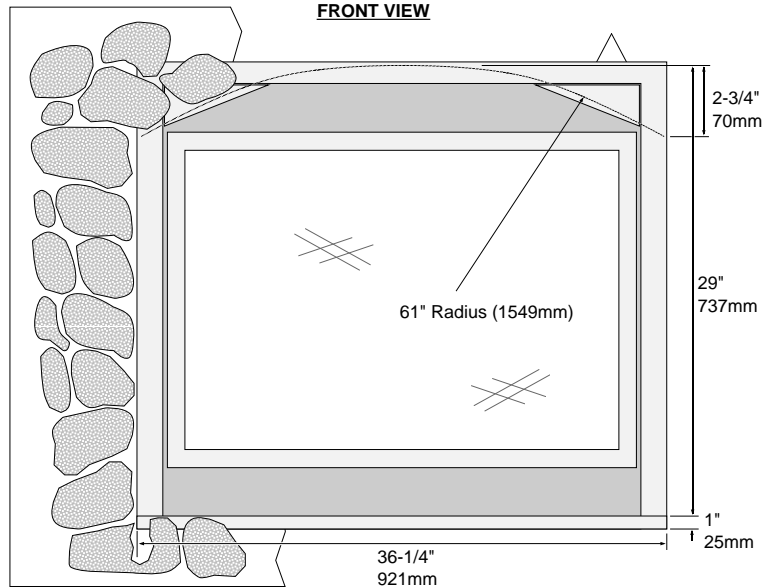
Floor-Mounted Fireplaces or Raised Hearths: Build the hearth 1" max (25mm) above the base of the fireplace. The fireplace may be raised to accommodate thicker hearth materials.

Raised Fireplaces: Masonry is installed 1" maximum (25mm) above the base of the fireplace.

TOP VIEW

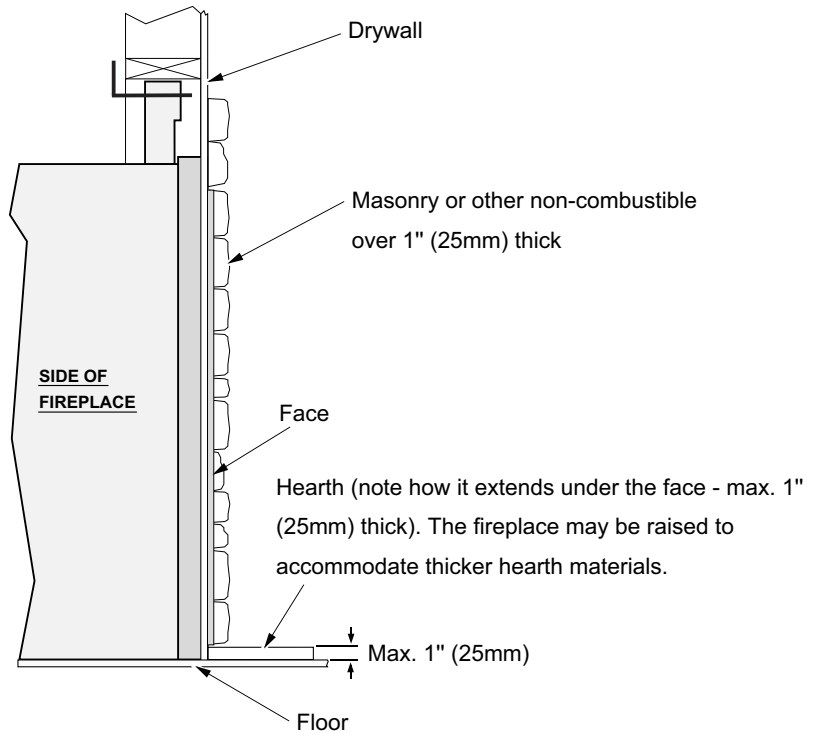


FRONT VIEW

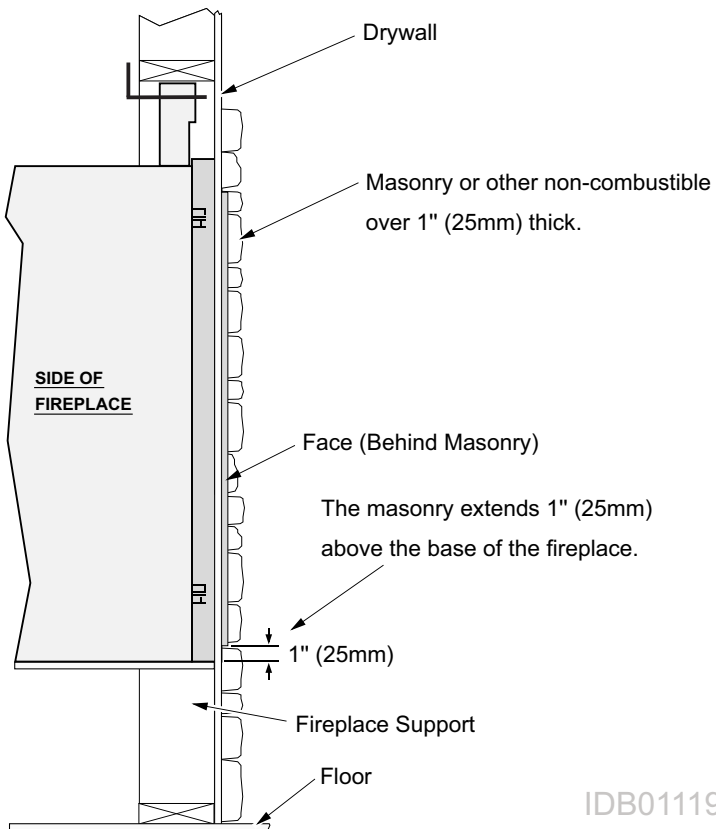


Thick Facing Installation - Side View

Floor-Mounted Fireplace
(with Hearth)



Raised Fireplace
(with no Hearth)

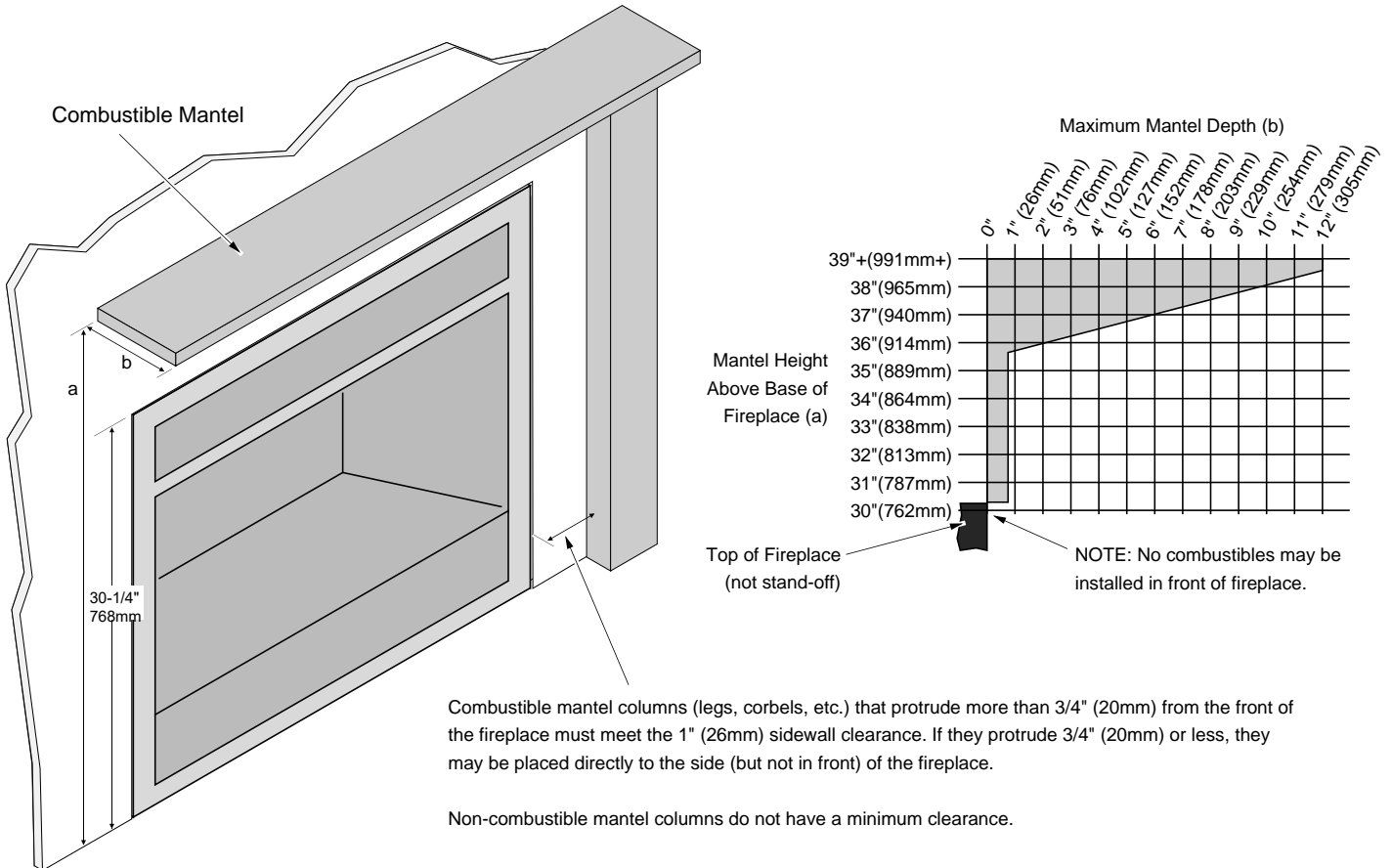


IDB01119

Mantel Requirements

Combustible Mantels

- Use the table below to determine the maximum mantel depth allowed. The mantel depth (measured from the face of the fireplace) must fall in the shaded portion of the table.
- Any material that protrudes more than 3/4" (19mm) from the non-combustible facing is considered a mantel and must meet the mantel requirements.



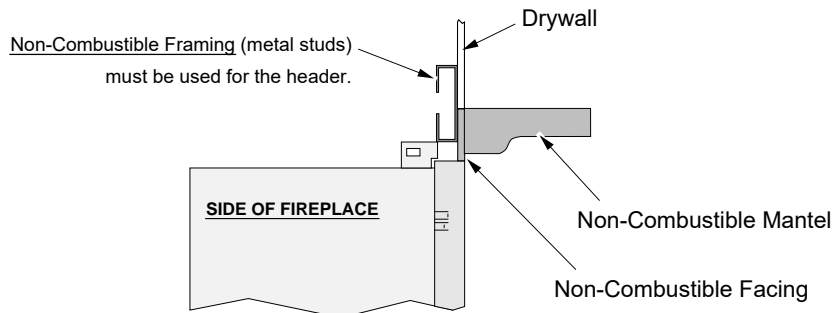
Examples:

- If you wish to have a 6" (152mm) deep mantel, it must be at least 37" (940mm) above the base of the fireplace.
- If you wish to have a 2" (51mm) deep breastplate, it must be at least 36" (914mm) above the base of the fireplace.

Non-Combustible Mantels

Non-combustible mantels must meet the clearances listed for combustible mantels. However, if you do wish to reduce the clearances by using a non-combustible mantel, the following requirements must be met:

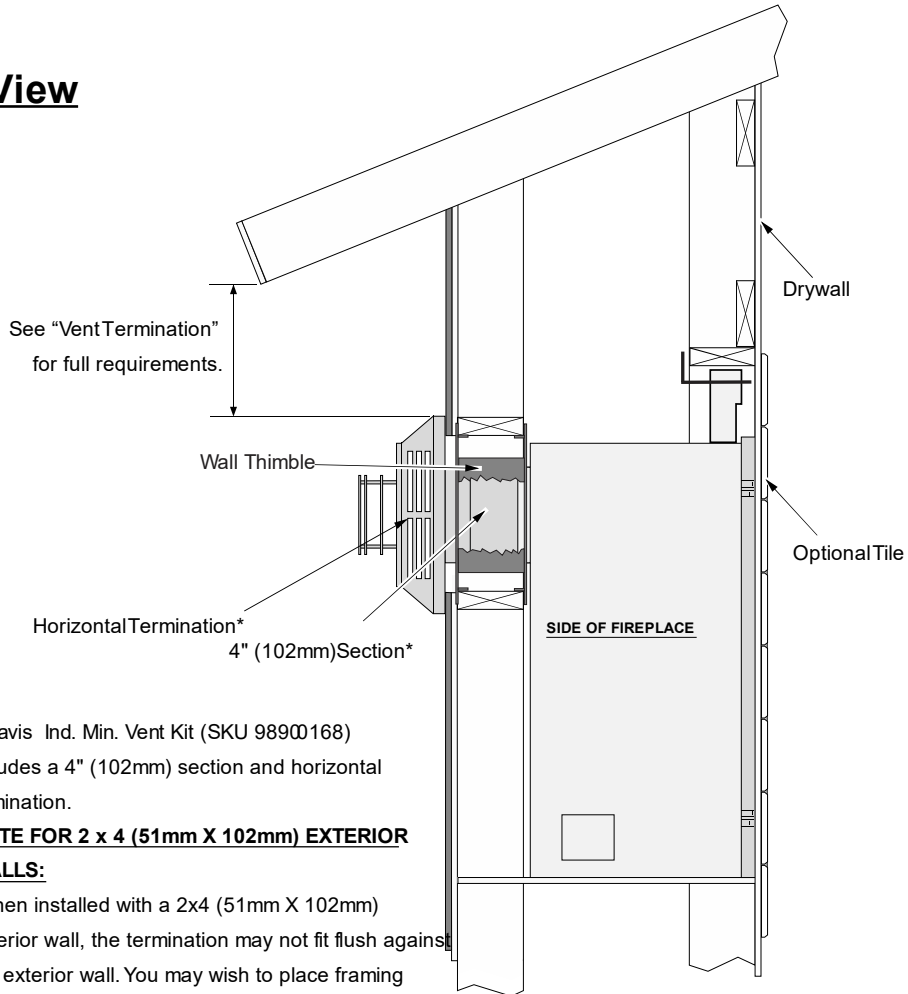
- Non-combustible mantel and facing must extend from the top of the appliance to the top surface of the mantel.
- A non-combustible header must be used (metal stud).



Installation Example - Build-Out (Dog-House) with Hor. Termination

- The framing, facing, and other building materials depicted below are for example only. Refer to local building codes for framing, facing, and insulating requirements in your area.

Side View



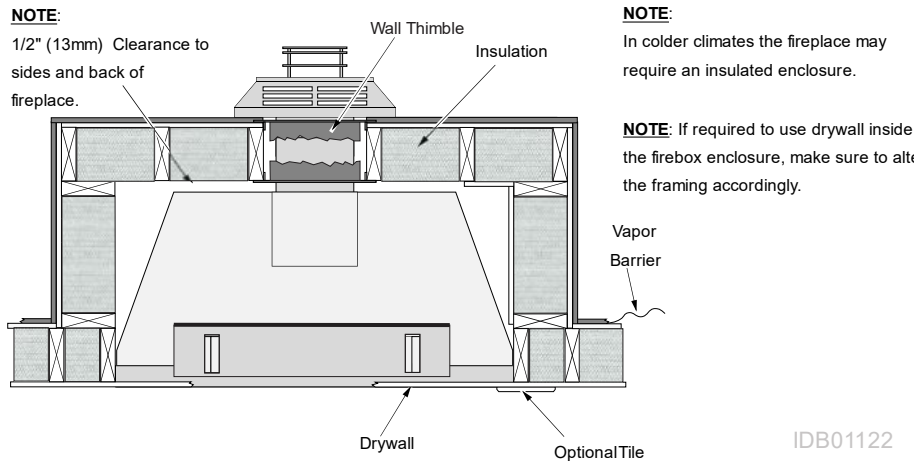
* Travis Ind. Min. Vent Kit (SKU 98900168) Includes a 4" (102mm) section and horizontal termination.

NOTE FOR 2 x 4 (51mm X 102mm) EXTERIOR WALLS:

WALLS:

When installed with a 2x4 (51mm X 102mm) exterior wall, the termination may not fit flush against the exterior wall. You may wish to place framing around the termination to fill the gap.

Top View

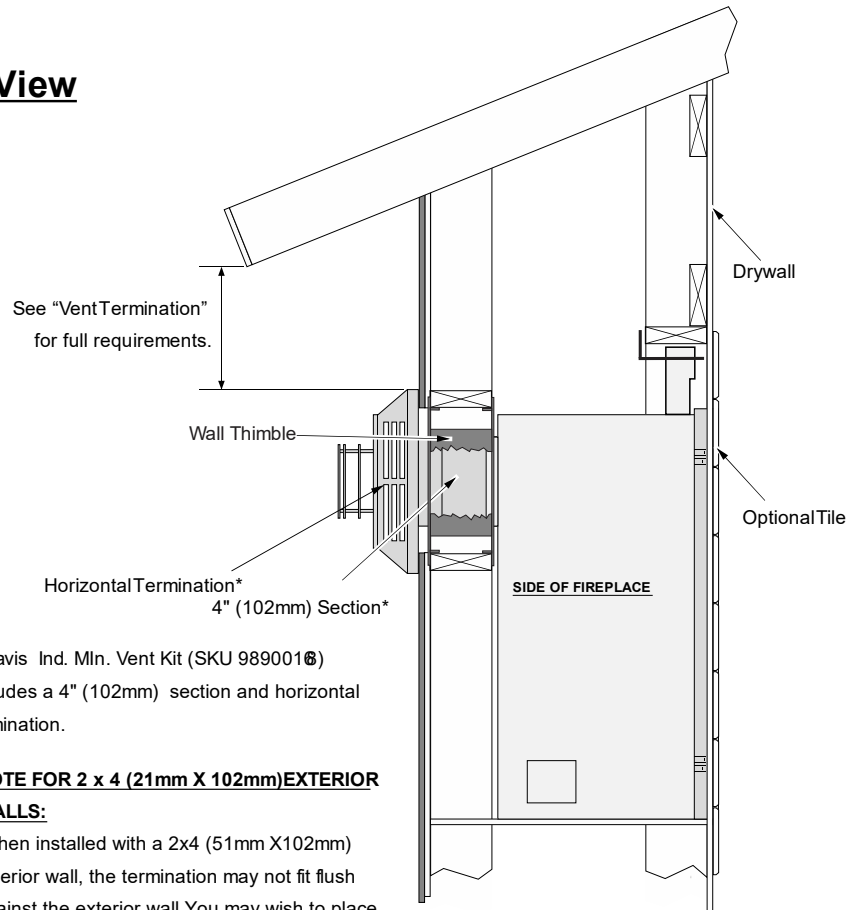


IDB01122

Installation Example - Build-In with Horizontal Termination

- The framing, facing, and other building materials depicted below are for example only. Refer to local building codes for framing, facing, and insulating requirements in your area.

Side View

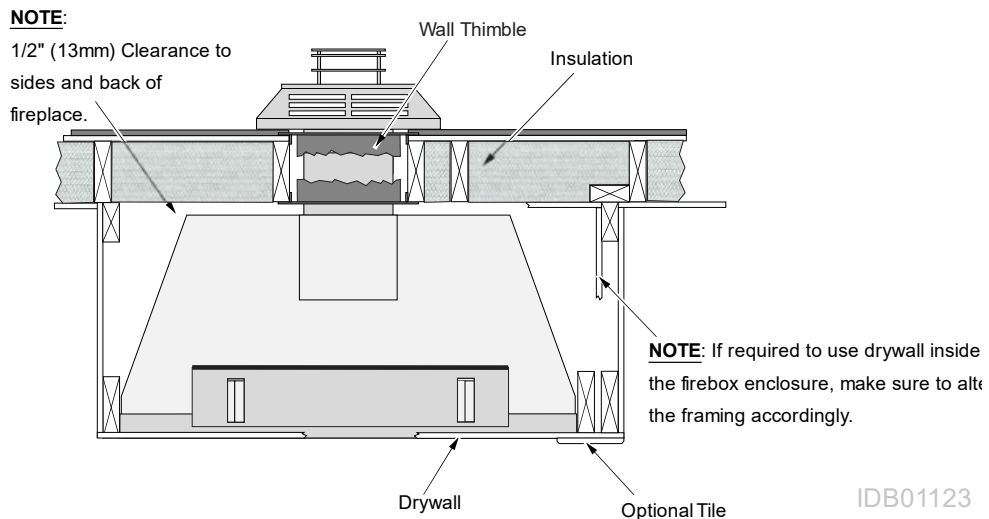


* Travis Ind. Mln. Vent Kit (SKU 989001®)
Includes a 4" (102mm) section and horizontal termination.

NOTE FOR 2 x 4 (21mm X 102mm) EXTERIOR WALLS:

When installed with a 2x4 (51mm X 102mm) exterior wall, the termination may not fit flush against the exterior wall. You may wish to place framing around the termination to fill the gap.

Top View

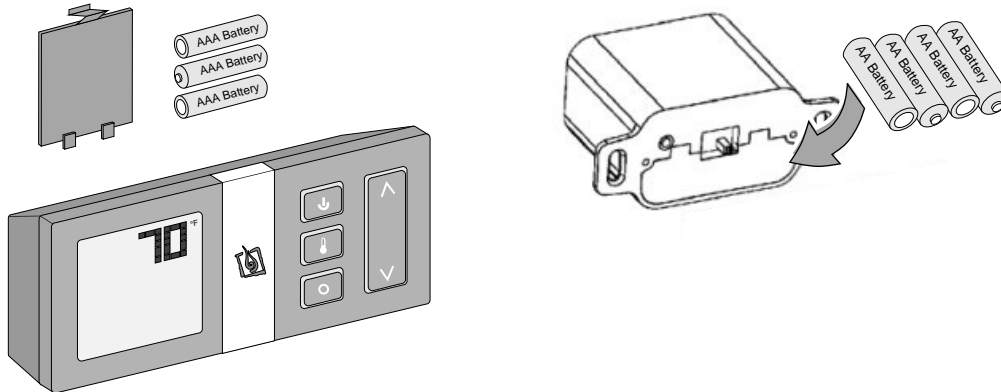


IDB01123

46 Finalizing the Installation (for qualified installers only)

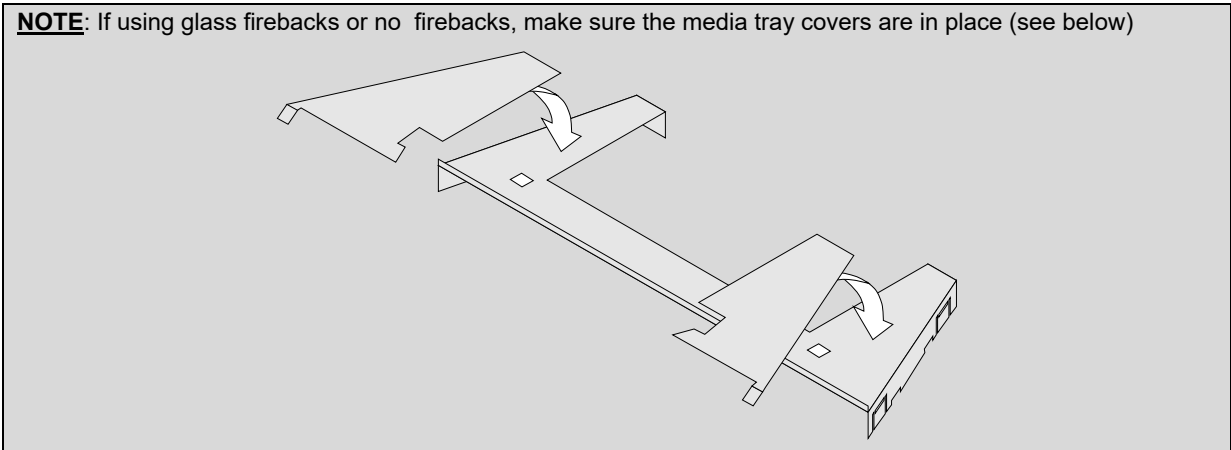
Steps for Finalizing the Installation

1. Remove the glass (see page 48).
NOTE: If using propane (LP) convert the appliance prior to installing the logs.
2. We recommend you purge the gas line at this time (with the glass removed). This allows gas to be detected once it enters the firebox, ensuring gas does not build up.
3. Install the four AA batteries (see illustration below). The AA batteries act as a power backup in case the household (AC) power goes out and are required for operation. Install three AAA batteries into the remote (see illustration below). Synchronize the transmitter to the IFC.



4. Install the firebacks (if applicable -see page 66).

NOTE: If using glass firebacks or no firebacks, make sure the media tray covers are in place (see below)

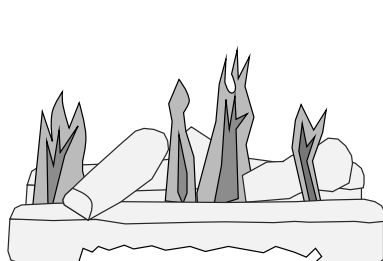


5. Install the ember chunks and emberbed glass (see page 51)
6. Install the logs (see page 54).
7. Replace the glass.
8. Start the heater.
9. Leak test all gas joints.

10. Check the air shutter following the directions below.

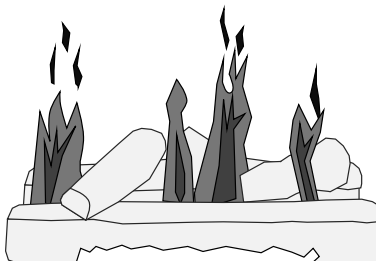
Air Shutter Adjustment

Let the heater burn for fifteen minutes (make sure the logs and glass are in place). The flames should be yellow with no sooting. Adjust the air shutter, if necessary, to achieve the correct looking flame.



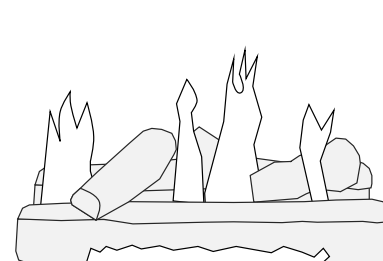
Correct

Flames should be blue at the base, yellow-orange on the top.



Not Enough Air

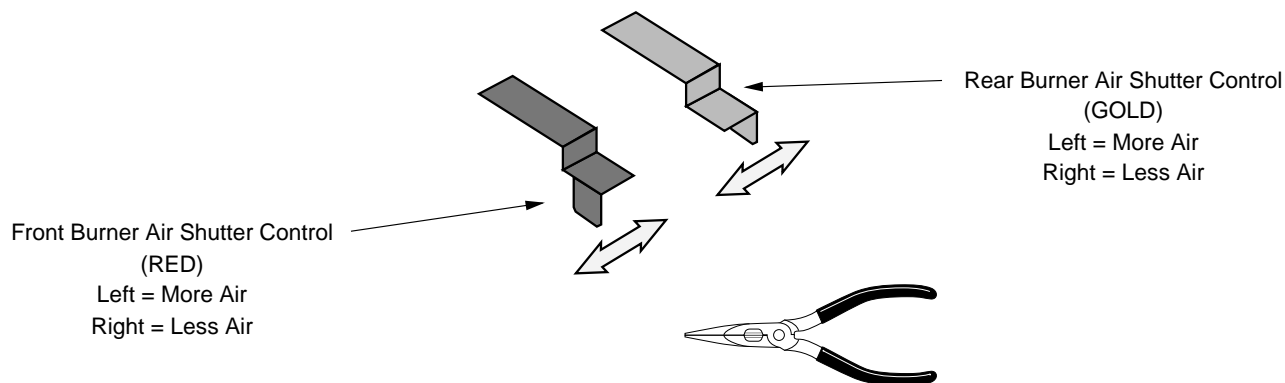
If the flames are too tall or sooty on the ends, open the air shutter.



Too Much Air

If the flames are all blue and short, close the air shutter.

Air Shutter Adjustment



NOTE: you may wish to use pliers to adjust the air shutters. Typically, the air shutters are mostly closed on NG, fully open on LP.

11. Turn the flame adjust knob to its highest position - the flames should not contact the top of the firebox. Check the flame on low position. The flames should burn off of each burner hole. If the heater does not work correctly, contact your Travis dealer for a remedy.
12. Give this manual to the home owner for future reference and fully explain operation of this heater. For comprehensive operating and maintenance instructions, refer to the Owner's Manual

ACID WASH WARNING: Before installing the faceplate, make sure any masonry that has been treated with acid wash has been properly neutralized (this is used primarily with brick faces). Acid wash (muriatic acid) is used to remove excess mortar. If not properly neutralized with an ammonia solution, the plated face may develop a permanent tarnish when the acid evaporates over time. Contact your dealer if uncertain your facing has been properly neutralized.

48 Finalizing the Installation (for qualified installers only)

Barrier Removal



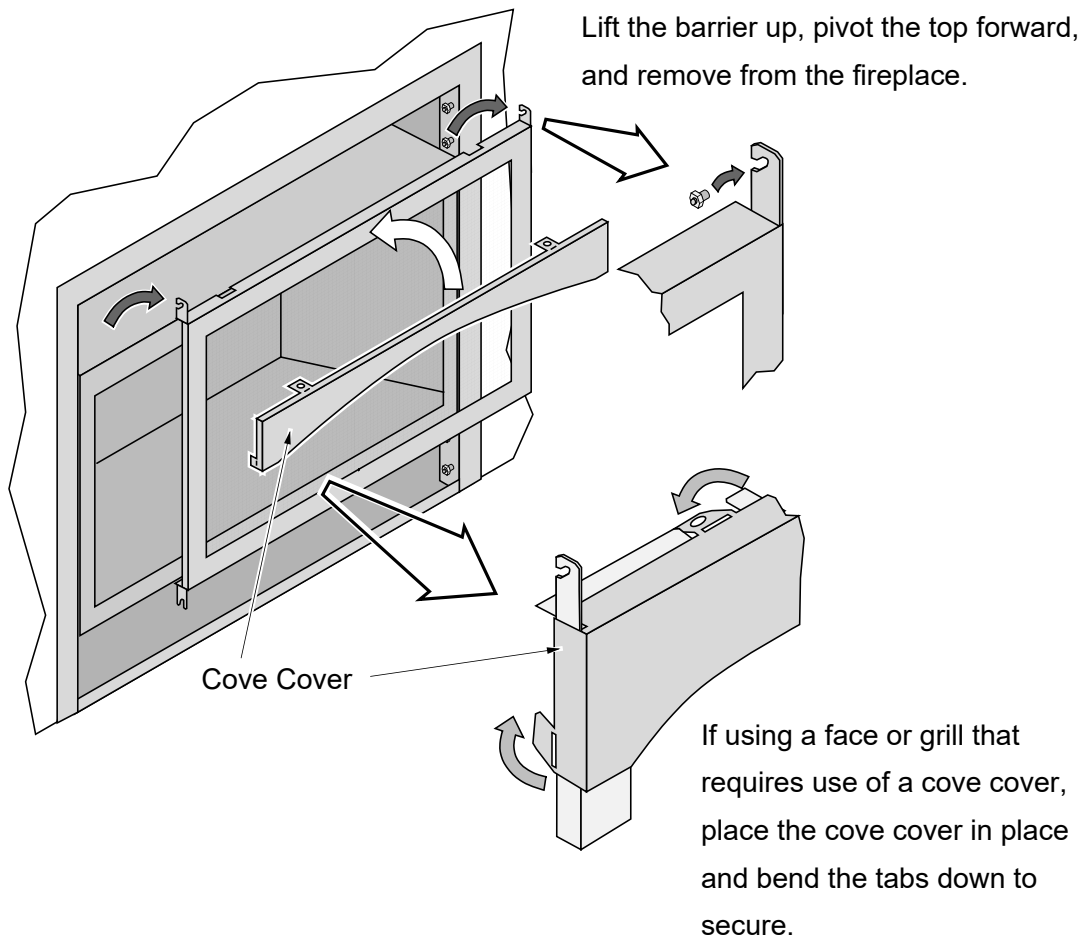
A barrier designed to reduce the risk of burns from the hot viewing glass is provided with this appliance and shall be installed for the protection of children and other at-risk individuals.



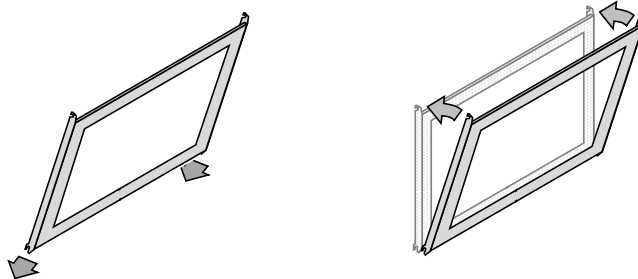
If the barrier becomes damaged, the barrier shall be replaced with the manufacturer's barrier for this appliance.



If using a face or grill that requires use of a cove cover, use the cove cover included with the fireplace (see below). Do not use the cover included with face or grill (if applicable).



HINT FOR REPLACING THE BARRIER: Hold the barrier at an angle and insert the bottom slots first. Then pivot the barrier forward to engage the top hooks.



Glass Frame Removal and Installation

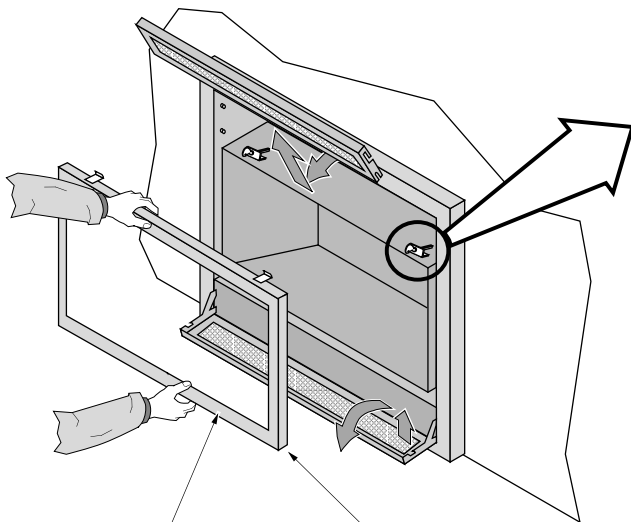
Warning: The appliance must be completely cool before removing the glass.

Warning: Do not strike or slam the glass.

Note: Remove the barrier before removing the glass (see previous page). Replace barrier after replacing the glass.

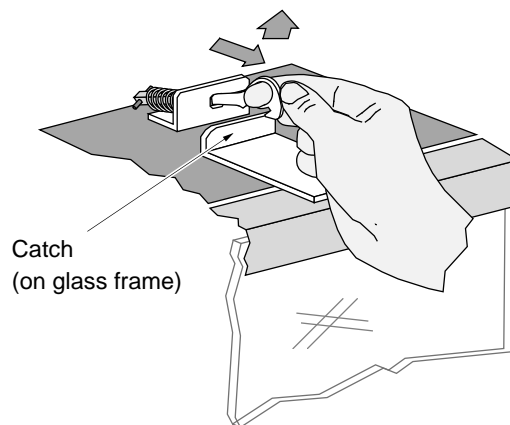
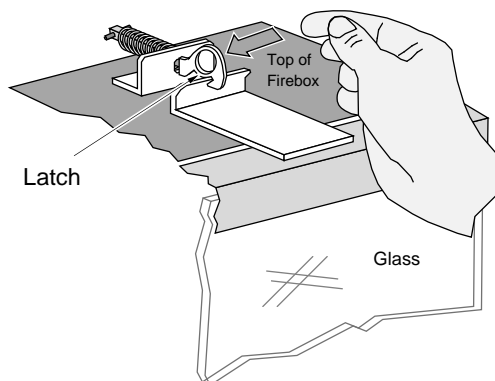
- a** Based upon the face being used, either:
- (a) swing the access door down and remove the top grill,
 - (b) remove the face (unscrew or lift off - see the instructions included with the face for details).

Open the four latches holding the glass frame in place (start with the bottom) - follow the directions shown to the right.



- b** Lift the glass frame up and pull it forward to remove.

NOTE: You may need to lift the glass frame while re-attaching.



Re-Attaching the Glass Frame:

- a) Hang the glass frame on the firebox.
- b) While holding in place, attach the upper latches (follow the instructions to the right in reverse).
- c) Lift the glass frame slightly and attach the lower latches.

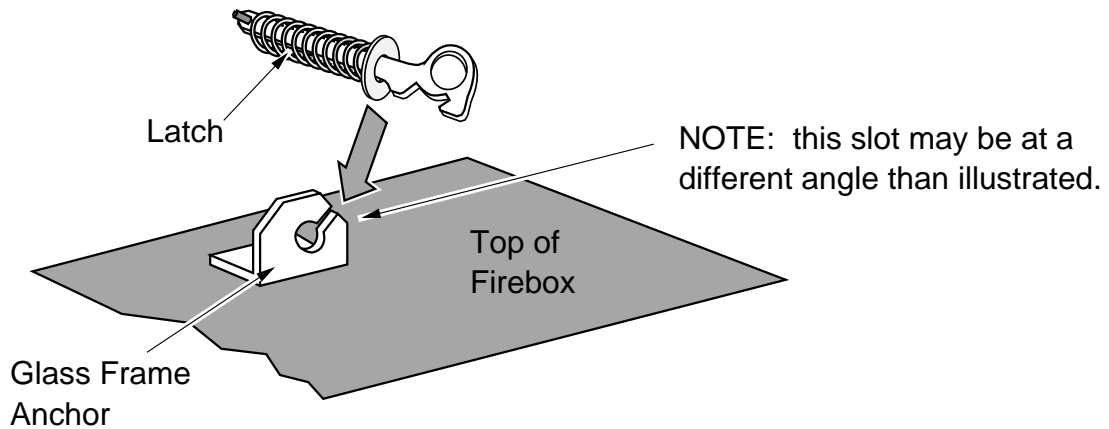
NOTE: Make sure the glass frame is all the way in place - it should be flush with the front of the fireplace when installed.

50 Finalizing the Installation (for qualified installers only)

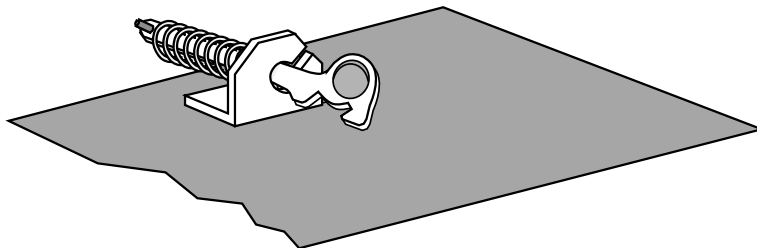
Glass Frame Removal and Installation (continued)

The latch can come loose from glass frame anchor. This occurs when it is turned 1/4 turn when it is disengaged. Follow the directions below to re-install the latch if it becomes loose.

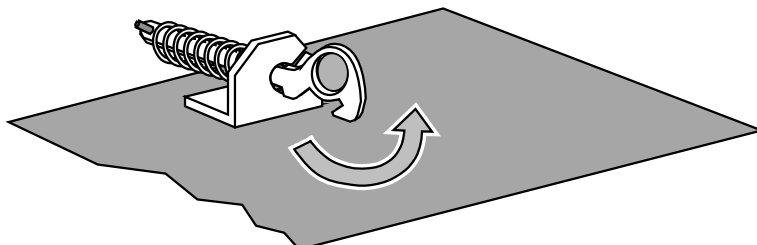
Hold the latch at an angle and insert it into the slot on the glass frame anchor.



Note how the washer on the latch fits behind the flange on the glass frame anchor.

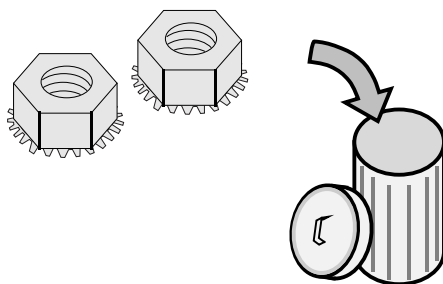
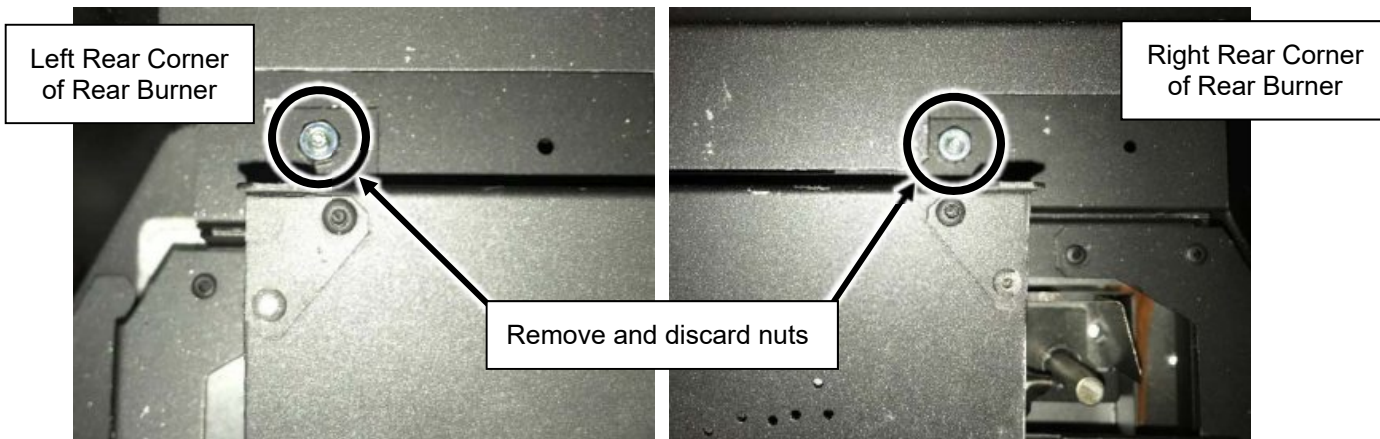


Once fully inserted, turn the latch until it is upright.



Shipping Retaining Nut Removal

(2) 3/8" nuts secure the rear burner to the fireplace for shipping purposes. Remove and discard the nuts (see below).



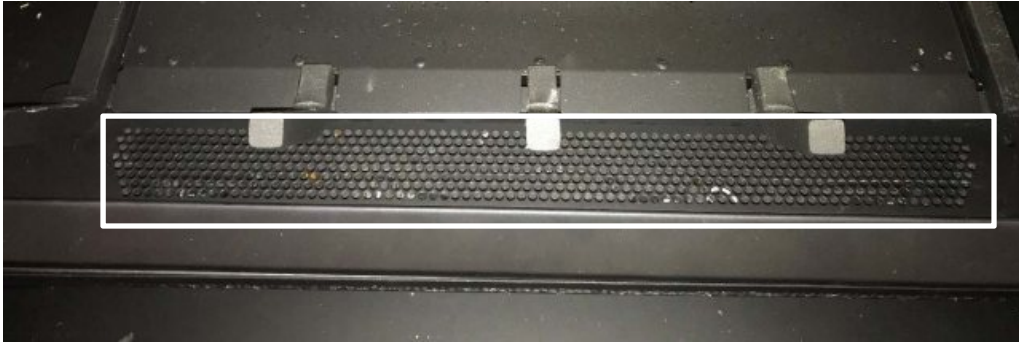
NOTE: Do not reinstall the shipping nuts. The burner brackets sit over the threaded pins and the burner needs to be able to move freely as it expands and contracts with heat.

52 Finalizing the Installation (for qualified installers only)

Ember bed Glass and Ember Material Installation

Ember bed Glass Installation

- Make sure the ember skirt is in place. The skirt hooks over the front of the ember platform and slopes outward toward the glass. The skirt helps keep the glass and ember material from falling off the platform when the glass is removed.
- Locate the perforations in front of the log grate.



- Place a thick layer of the ember glass over the perforations making sure to cover all of the holes completely.



- Lightly dress the ember glass with the black touch-up paint provided. Check the appearance with the lights on and add additional paint, as needed, for a realistic glowing ember appearance.

NOTE: If power is supplied to the fireplace it can help to turn the lights on while painting so you can determine an appropriate amount of paint for a realistic ember appearance.

NOTE: We recommend that you use a piece of paper, cardboard as a shield to mask the log grate and burner from overspray (see below).



Ember Material Installation

- Once the ember glass installation is complete, place a generous amount of ember material on the firebox floor on either side of the firebox. Completely cover any visible metal on the firebox floor.

NOTE: Make sure no ember material is placed directly on the burner.

HINT: Add a few randomly placed ember chunks over the ember bed glass to produce a more realistic appearance.



54 Finalizing the Installation (for qualified installers only)

Log Set Installation

Installation Warnings

NOTE: If using propane (LP), convert the appliance before installing the log set. If using firebacks, install them prior to installing the log set.

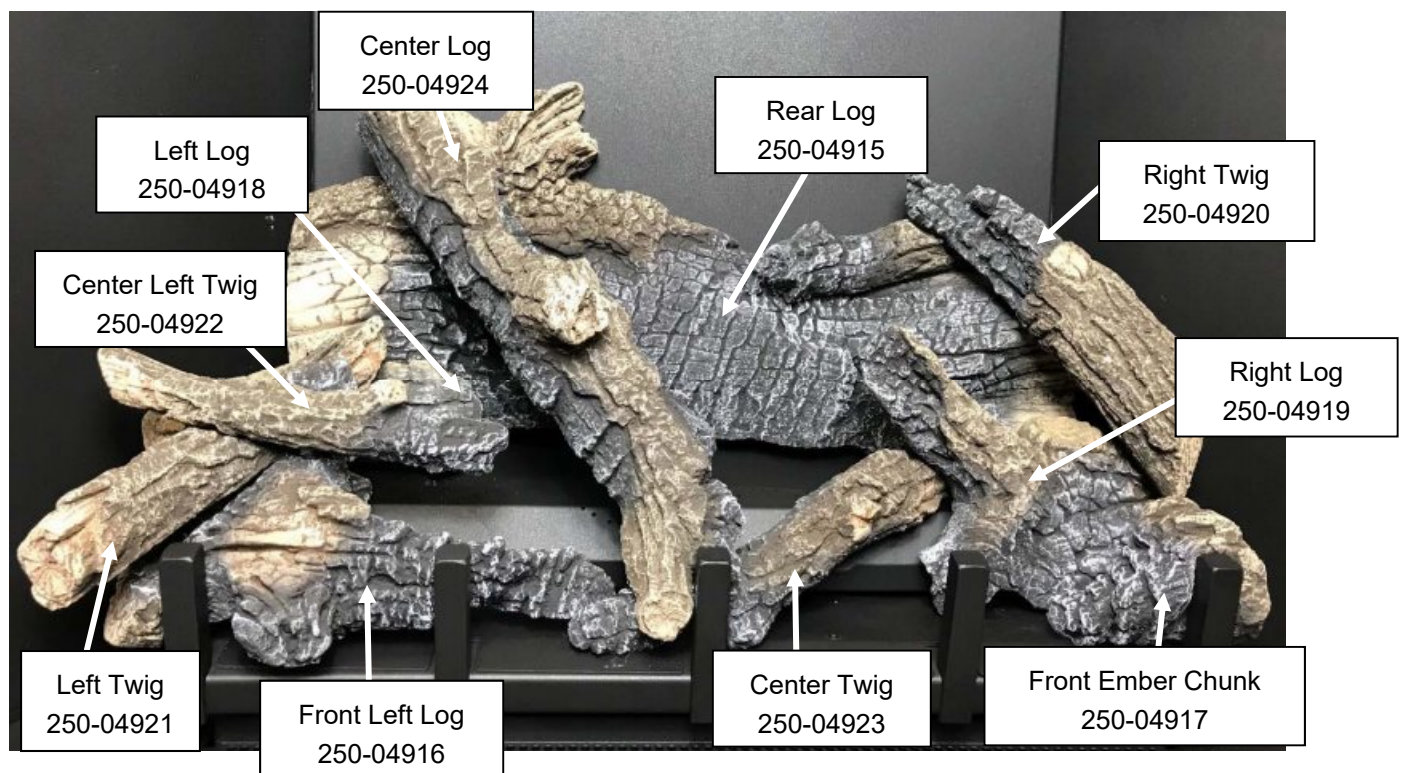
- **The logs are fragile, especially after being exposed to heat.**
- Make sure the gas control valve is OFF and the heater is cool prior to conducting service.
- Failure to position the parts in accordance with these diagrams or failure to use only parts specifically approved with this appliance may result in property damage or personal injury.
- The burner must be correctly positioned before installing the log set. Make sure the burner is fully seated and the pilot is properly aligned. See owner's manual for details on burner removal.

Installation – Oak vs. Birch

Both log sets are nearly identical in shape. The only difference is the paint scheme and some textural details. Page 2 contains a picture of the birch log set installed. The installation pictures show the classic oak log set.

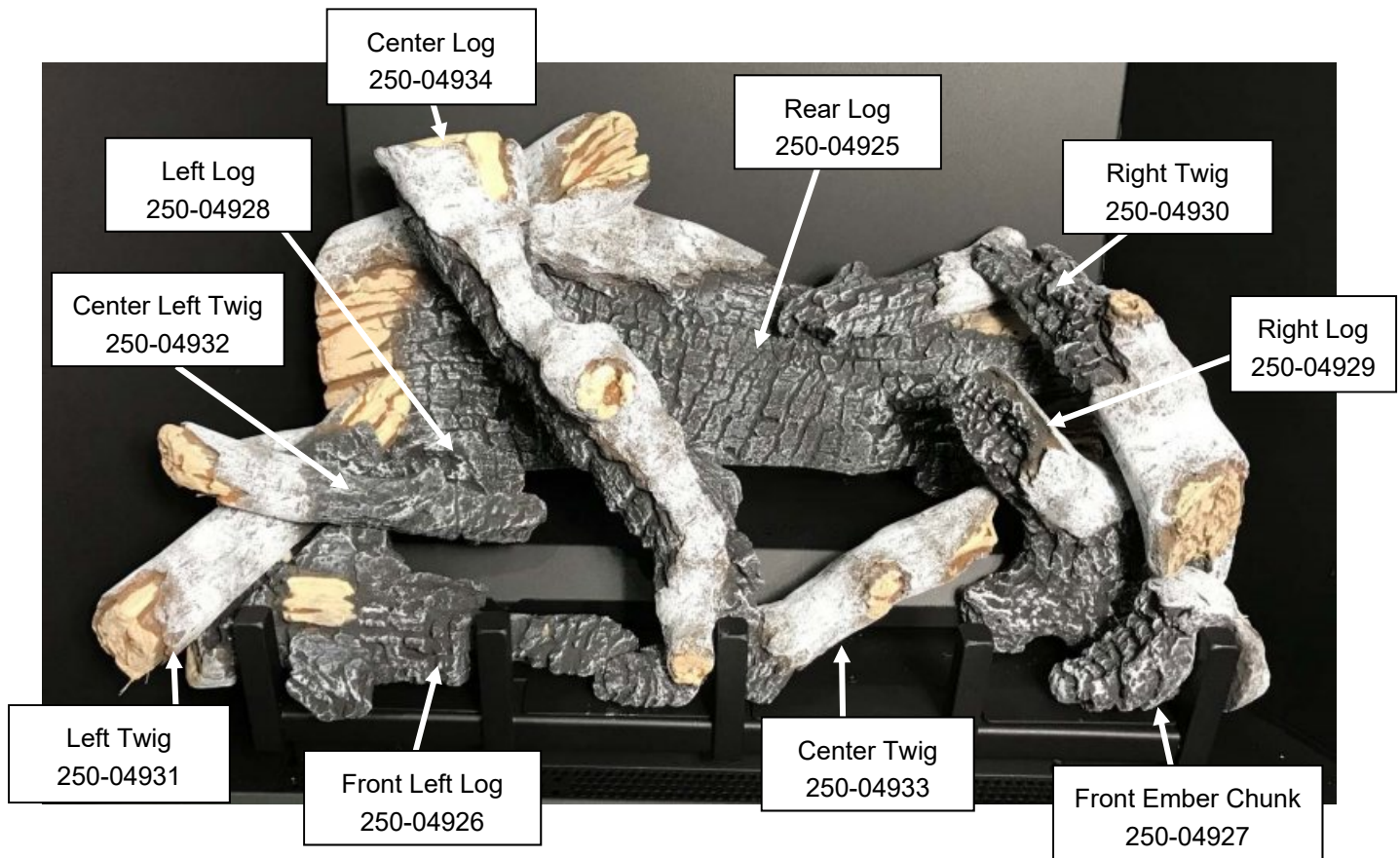
Log Set Overview – Classic Oak 94500626

When installed, the ten (10) logs should appear as shown below.



Log Set Overview – Birch 94500624

When installed, the ten (10) logs should appear as shown below.



56 Finalizing the Installation (for qualified installers only)

Installation

Rear Log

The rear log has two pockets that insert over two tabs on the back burner (see photos below). Place the log in place and push it back. The log straddles the burner and does not cover any burner holes.



Left Log

The left log has two flat surfaces on the bottom. Place the log so the flat surfaces rest against the burner as shown below. Make sure the log does not block any burner holes.



Right Log

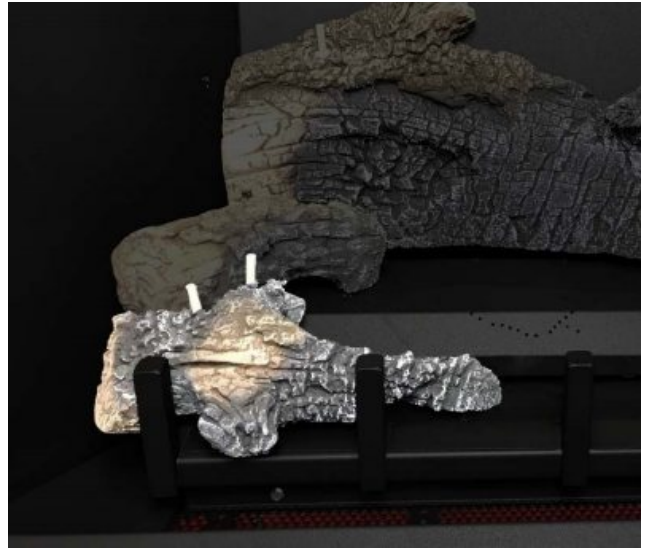
The right log has a channel on the bottom that fits over the ridge on the burner. Place the log in place and slide it to the rear.



58 Finalizing the Installation (for qualified installers only)

Front Left Log

The front left log has a channel that fits over the grate. When in place, the knob on the front of the log fits over the grate as well.



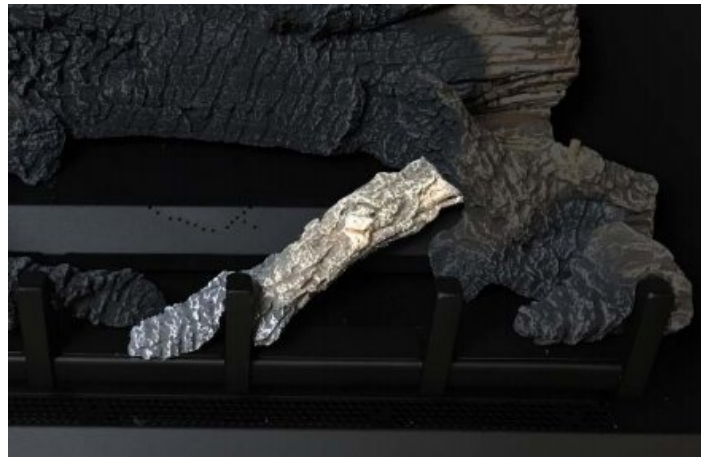
Front Ember Chunk

The front ember chunk has a groove on the bottom that fits over the grate. Place it as shown below.



Center Twig

The center twig is shown below. It has a pin on the bottom side. When in place, the fork on the front straddles the grate and the pin rests on the rear burner (make sure it is not over any burner holes).



Center Log

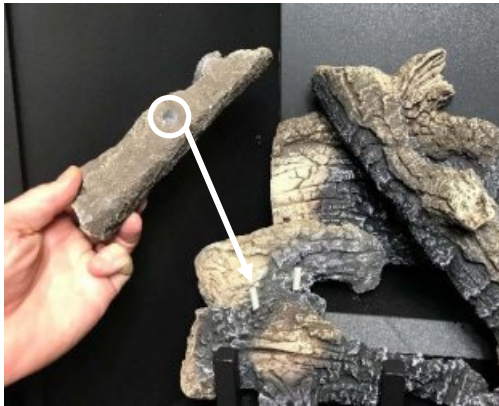
The center log has a hole on the back and a fork on the front. Position the log so this fits over the locating pin on the rear log. Make sure the fork on the front of the log fits over the grate as shown below.



60 Finalizing the Installation (for qualified installers only)

Left Twig

The left twig has a hole on the bottom that fits over the locating pin on the front left log. Place the twig as shown below. The front left log has a groove that will point the twig upwards and to the right.



Center Left Twig

The center left twig is flat on the bottom with one hole. Place the twig on the locating pin as shown below. Make sure the twig is positioned so it does not cover any burner holes.



Right Twig

The right twig has a hole and a slot on the bottom that fit over the pins on the right log. When properly positioned, the log will be placed as shown below and to the right.



Ember Installation

NOTE: The embers are included with the fireplace. Consult the installation manual for details on installing the embers. If using the Ember-Glo light, the embers are installed with the Ember-Glo light glass.

Embers are provided to further enhance the firebox. Place the embers on the firebox floor and on the burner. Do not place embers over any of the burner holes or air channels.

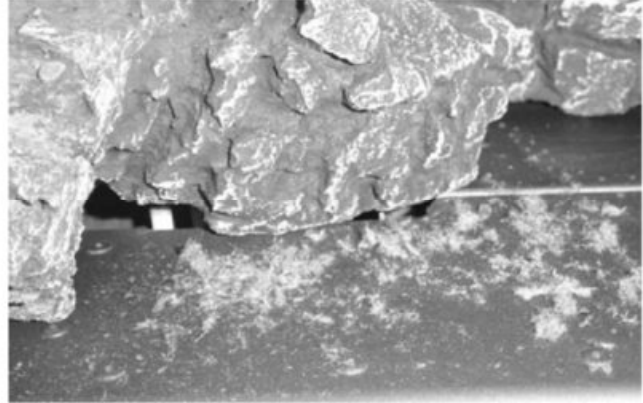


62 Finalizing the Installation (for qualified installers only)

Rock Wool Placement

NOTE: The rock wool is included with the fireplace. Consult the installation manual for details on installing the rock wool.

The included rock wool is placed on top of the burner to enhance the glow from the burner. **The rock wool works best when it is applied in a very thin layer.** The best method for applying the rock wool is to brush it on to the burner. Compress a clump of rock wool between your thumb and forefinger. Use a stiff brush to apply a thin layer of rock wool fibers onto the burner. Do not use the entire bag of rock wool. Use only a small amount and save the remainder. Over-use of rock wool will diminish the glow and may cause sooting or other adverse conditions.



LP Conversion Instructions**WARNING**

This conversion kit shall be installed by a qualified service agency in accordance with the manufacturer's instructions and all applicable codes and requirements of the authority having jurisdiction. If the information in these instructions is not followed exactly, a fire, explosion or production of carbon monoxide may result causing property damage, personal injury or loss of life. The qualified service agency is responsible for the proper installation of this kit. The installation is not proper and complete until the operation of the converted appliance is checked as specified in the manufacturer's instructions supplied with the kit.

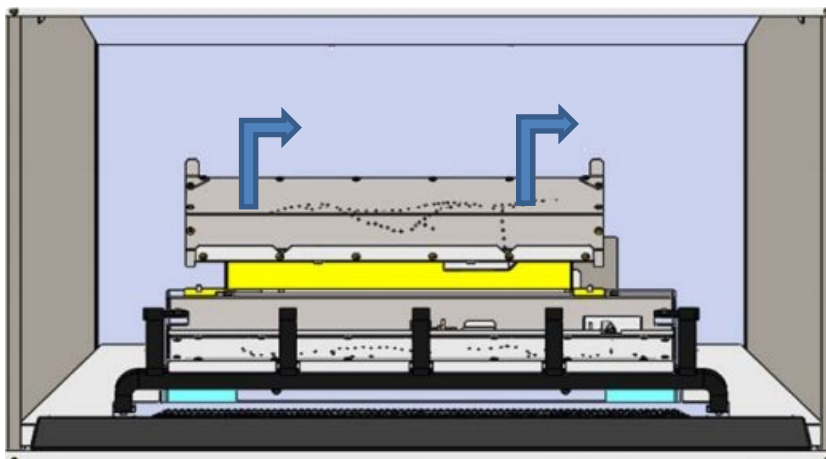
Caution: The gas supply shall be shut off prior to disconnecting the electrical power, before proceeding with the conversion.

Note: Convert the appliance prior to installing the gas line to ensure proper gas use.

The GSR Stepper Motor Kit (4-pack = 94400999), (single = 250-01463) is required for converting this appliance to LP. The kit contains the stepper motor (regulator) and torx wrench.

- 1 Remove the barrier and glass. Remove the logs and embers (if installed - page 51)
- 2 Remove the burners following the directions below.

Lift the rear burner, slide it to the right, and lift it from the firebox. The burner has a bracket that inserts over two pins behind the burner. When replacing the burner make sure it is properly located.



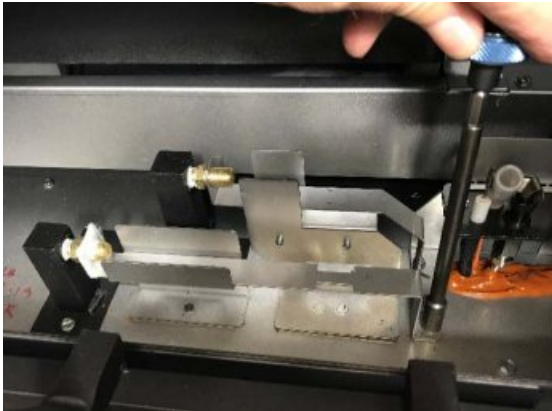
Lift the front burner, slide it to the right, and lift it from the firebox. When replacing the burner make sure it is properly located.



64 Finalizing the Installation (for qualified installers only)

Remove the manifold cover.

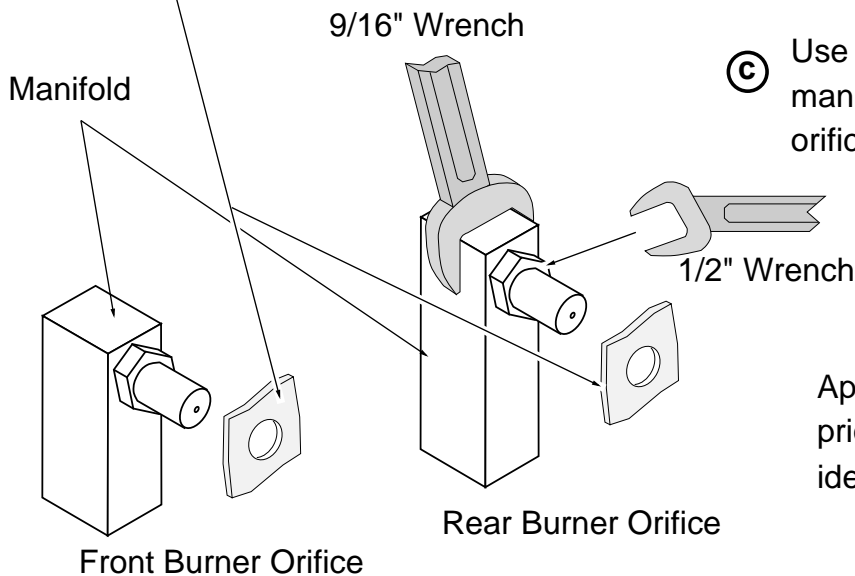
NOTE: Discard the orifice gaskets and reinstall the manifold cover after changing the orifices



3 Follow the directions below to replace the orifice.

(a) Slide the air shutters to provide access to the orifices.

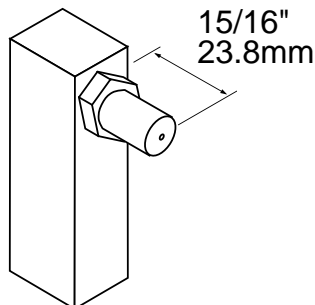
(b) Remove and discard the gasket on each burner orifice.



(c) Use a 9/16" wrench to support the manifold while removing each orifice with a 1/2" wrench.

(d) Apply thread sealant to the LP orifices prior to installation. Use the chart below to identify the correct orifices.

(e) Screw each LP orifice until orifice protrudes 15/16" (23.8mm) indicating full insertion (use wrench to support manifold when re-attaching orifice).



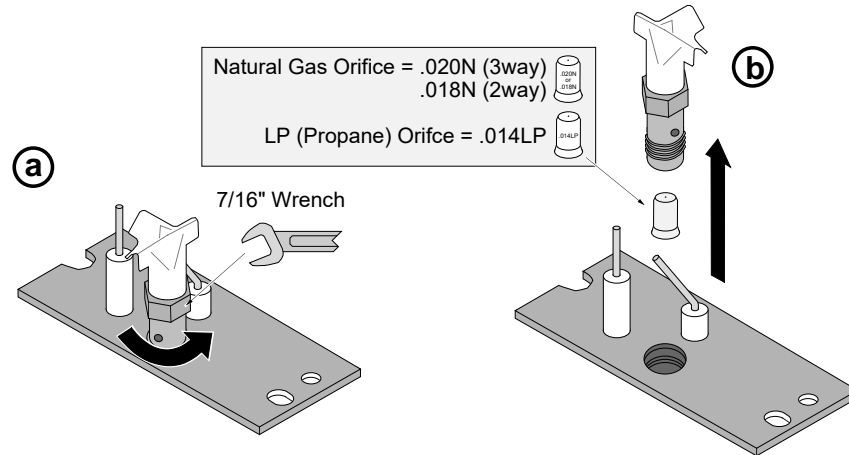
Look here for the orifice identification

564 Orifice Numbers

	NG	LP
Front	#52	#60
Rear	#51	#60

Install the LP pilot orifice following the instructions below.

- (a) Use a 7/16" open-end wrench to remove the pilot hood.
- (b) Remove and discard the Natural Gas (NG) orifice. Place the LP orifice in the pilot assembly then replace the pilot hood, tightening the pilot hood until it is snug (do not over-tighten).



1. Remove the control panel to access the gas control panel. The stepper motor (adjustable regulator) has an installation sheet included with it – make sure to follow all of the directions. Place the stepper motor on the gas control valve (see Figure 1) – **MAKE SURE IT IS CORRECTLY ORIENTED.** Secure using the screws included with the motor (see Figure 2) – tighten to 25 Lb-inches. Leak test this area after installation to verify proper installation.

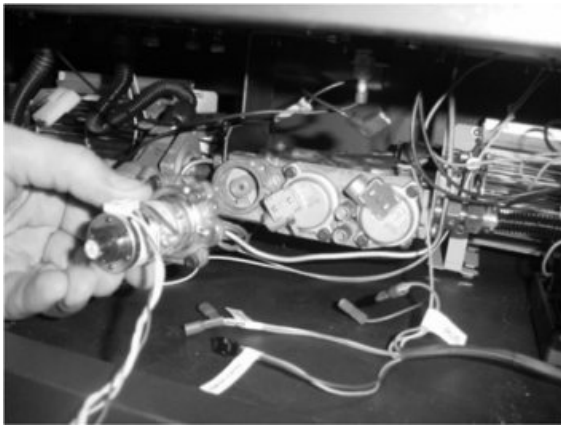


Figure 1

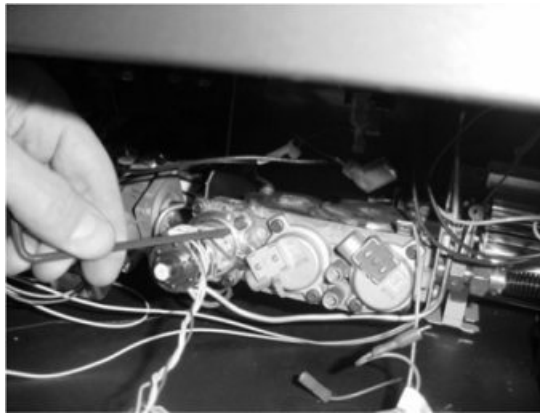


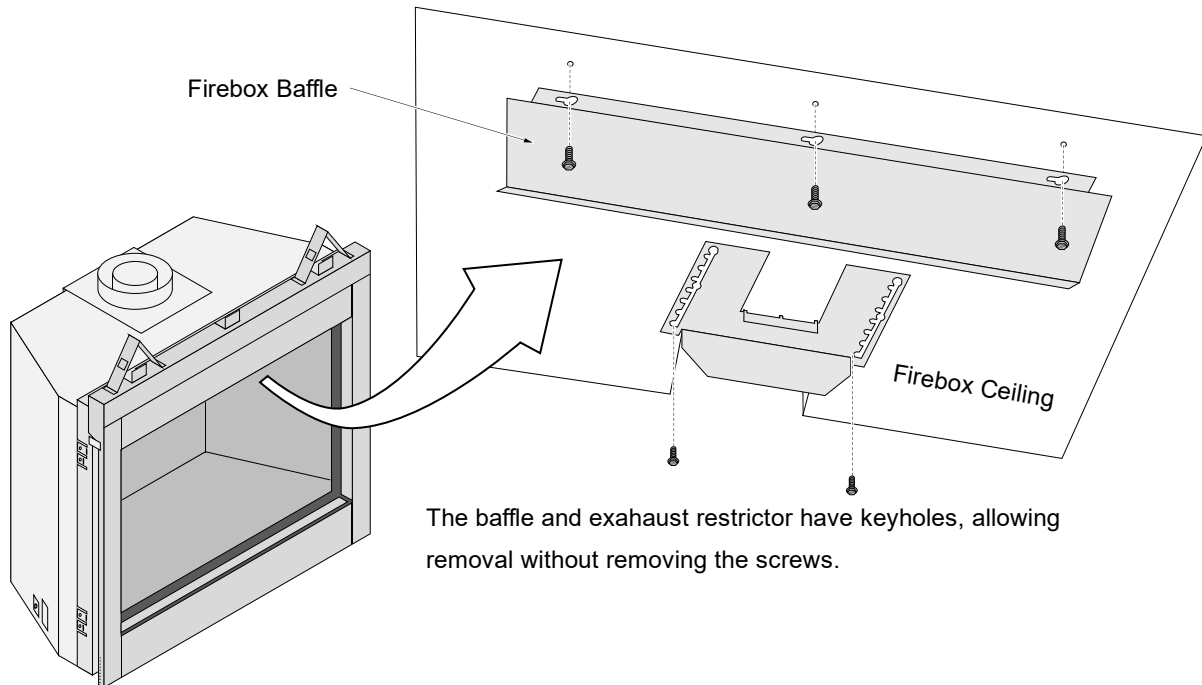
Figure 2

2. **Replace the firebox components.** Install the logs and embers. Replace the glass.
3. Make the gas line connection, bleed the gas line (if applicable), start the heater and thoroughly leak-test all gas connections and the gas control valve.

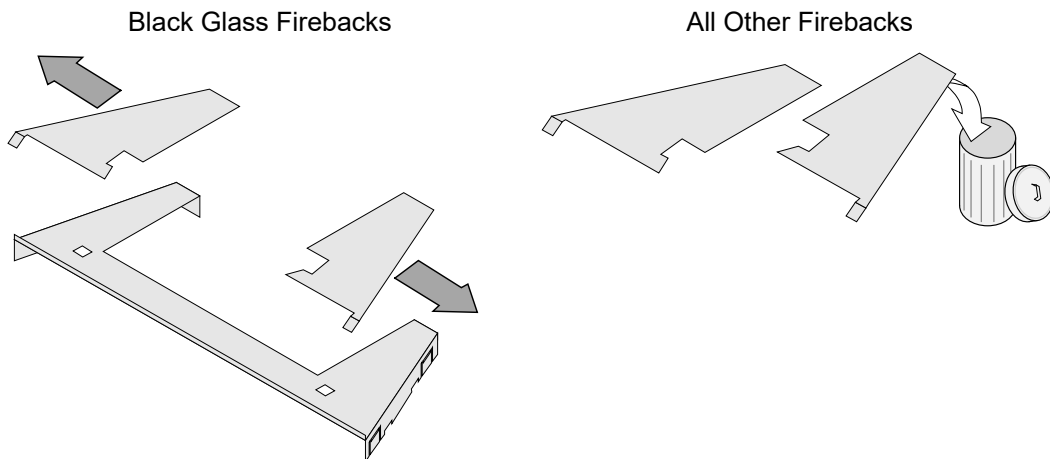
Special Instructions for Fireback Installation

This fireplace may use existing 564 firebacks. However, the instructions included with the firebacks do not include the following caveats:

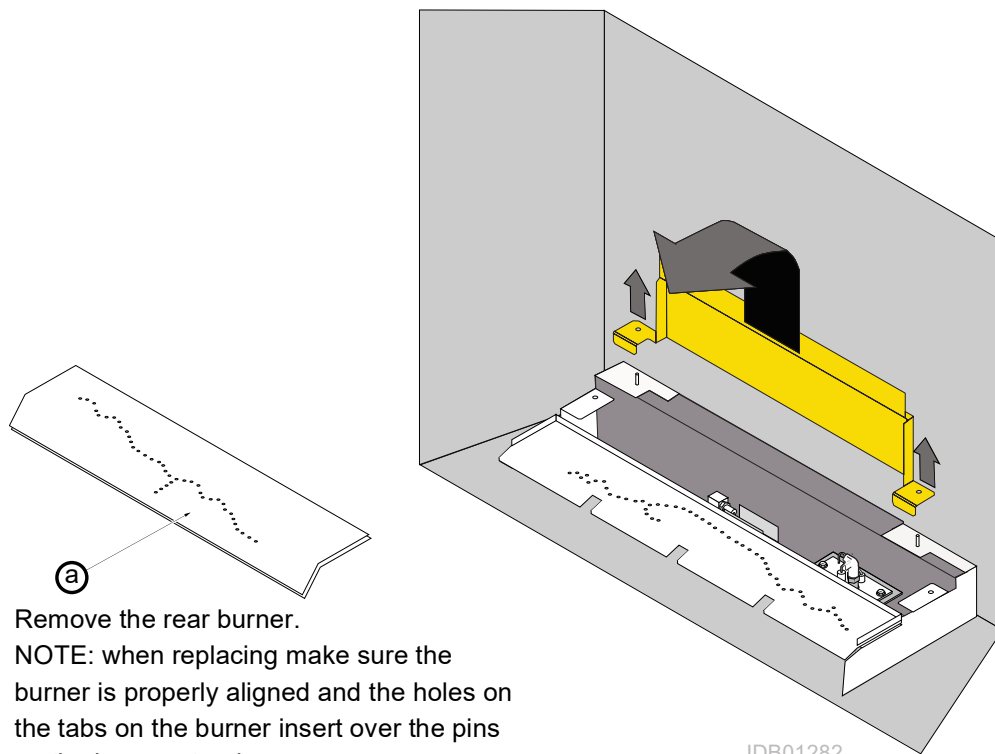
**Firebox Baffle and Exhaust Restrictor Must Be Removed To Install Firebacks
(replace once firebacks in place)**



For Glass Firebacks, Slide the Media Tray Covers Outwards. For all other firebacks, discard the media tray covers

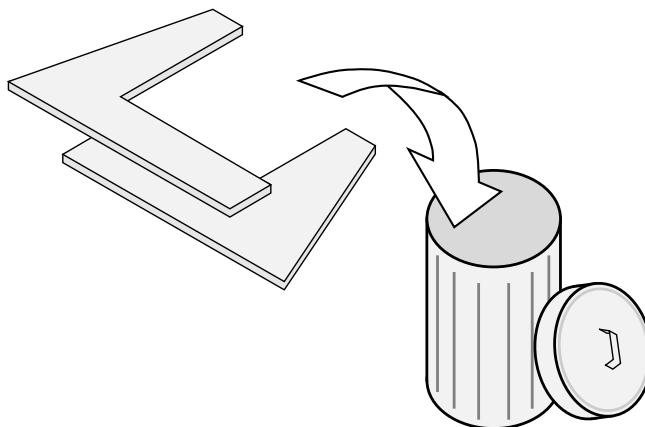


Rear Air Deflector (behind the rear log) Must be Removed (replace after firebacks in place)



Remove the rear burner.
NOTE: when replacing make sure the burner is properly aligned and the holes on the tabs on the burner insert over the pins on the burner stand.

Discard the Floor Firebacks (if applicable). They are not used with this fireplace.



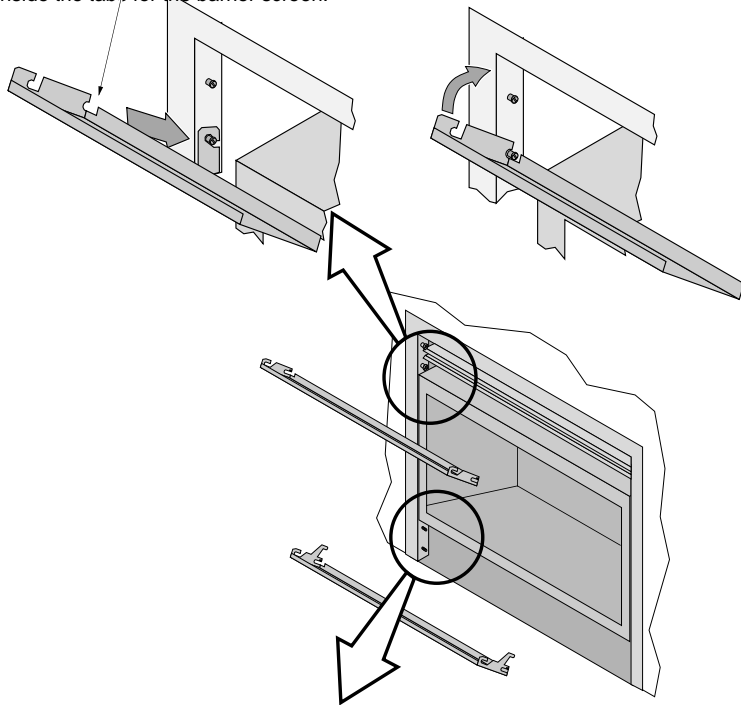
Grill Installation

NOTE: Install the barrier screen before attaching the grills. Follow the directions below to install.

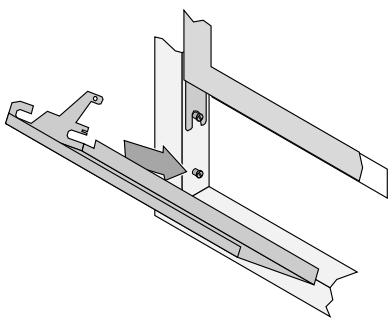
Upper Grill Installation

Hold the grill at an angle and insert the lower slot over the lower bushing on the fireplace (both sides). The grill fits inside the tabs for the barrier screen.

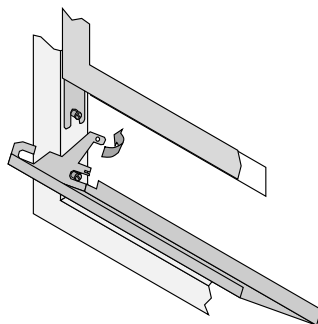
Swing the grill upwards to engage the upper slot. You will need to lift the grill slightly to get it over the bushing. Once in place the grill is held in place by gravity.



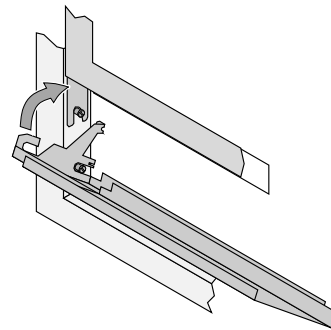
Lower Grill Installation



Hold the grill at an angle and insert the lower slot over the bushing on the fireplace (both sides). You may need to press on the grill to get the tab over the bushing (this prevents the grill from accidentally falling off).



Bend the tab outward on both sides. This is the end-stop for the lower grill, it allows the grill to swing forward.



Swing the grill upwards to engage the upper slot. The grill fits inside the tabs for the barrier screen. You will need to lift the grill slightly to get it over the bushing. Once in place the grill is held in place by gravity.

Upper Grill Installation

NOTE: The upper grill is difficult to install the first time - be patient, after you install it, you will know how it installs and it will be much easier the second time.

SIDE VIEW

Position the grill so the slots on the grill align with the mounting studs.

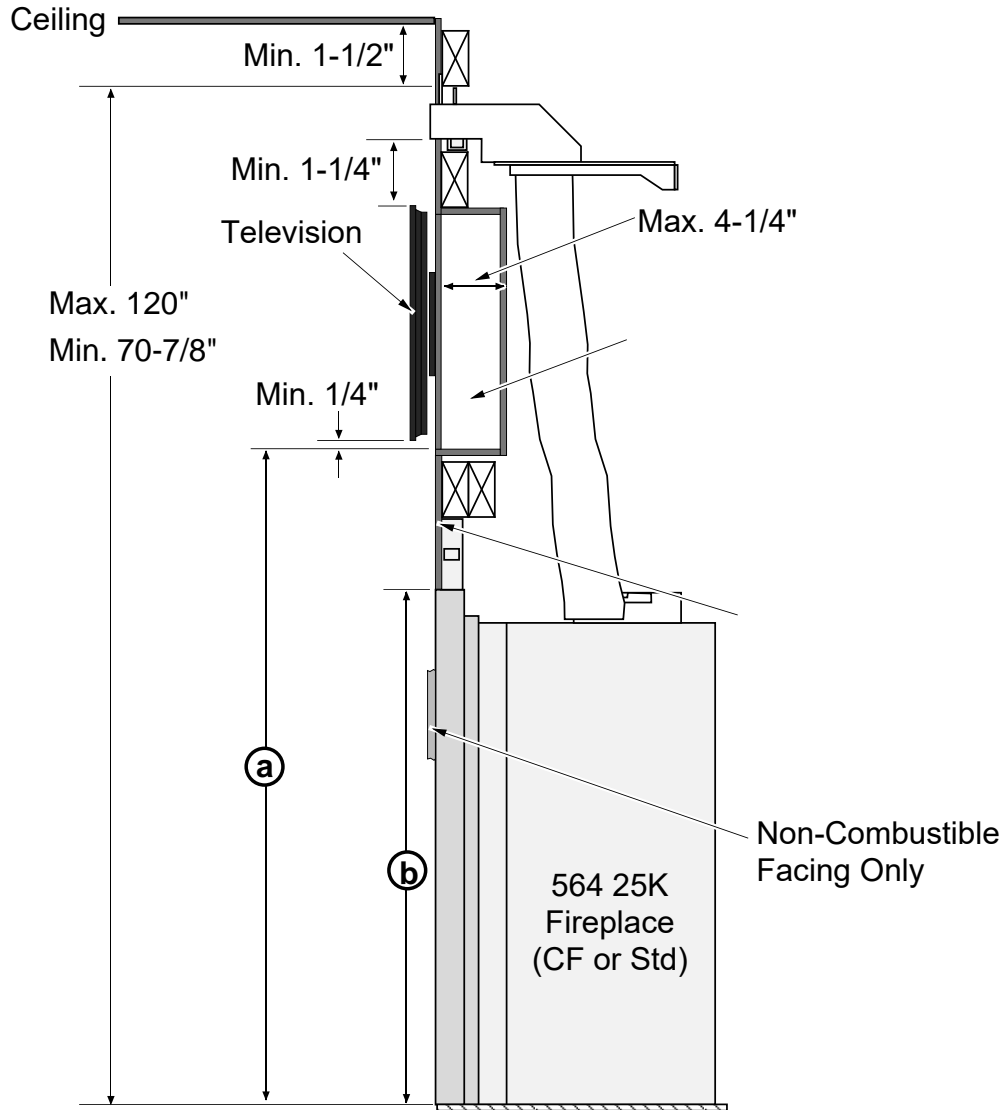
You may need to push in and upwards on the grill as it inserts.

The grill, when fully inserted, will slide down and "click" into place.

Optional CoolSmart TV Kit (sku#98900778)

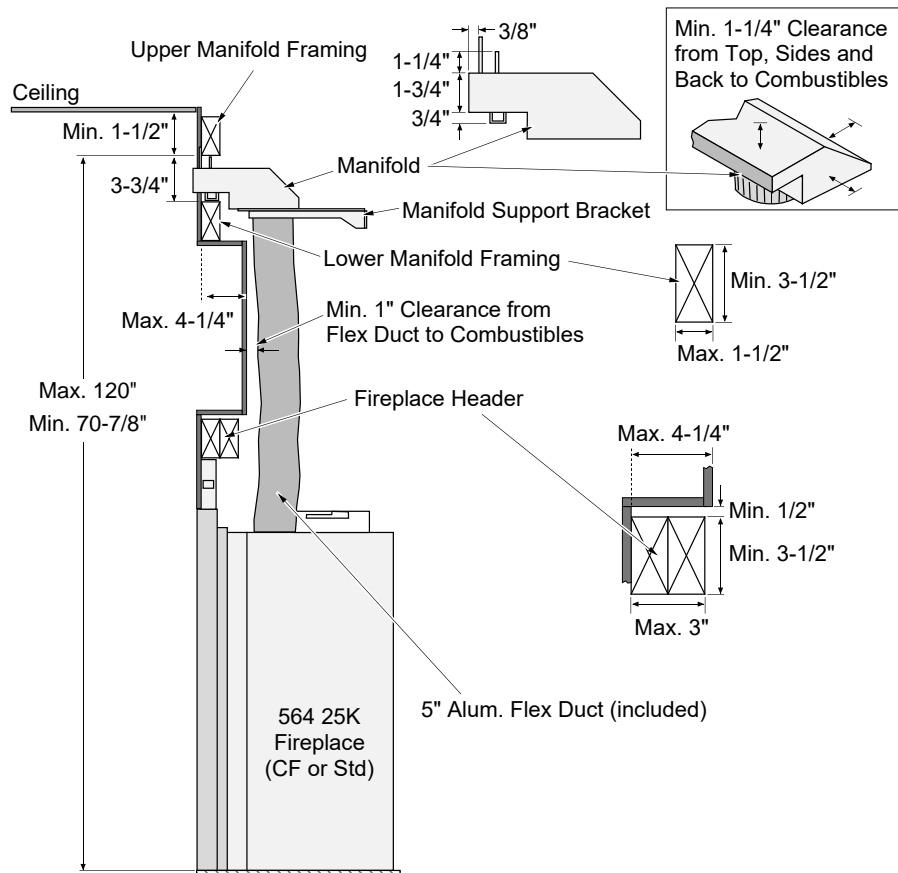
The CoolSmart system is designed to redirect the convective heat of the fireplaces from the front of the unit, just above the glass, to a location higher on the wall. The use of this kit allows for reduced clearances to televisions and a recessed cavity above the fireplace. When using this kit, disregard the framing dimensions in the manual and follow the framing instructions included in this instruction sheet. See the installation manual for further requirements.

When used on the 564 25K, this kit allows for the **mantel height to be reduced**. See "564 25K Reduced Mantel Height" on page 70 for details.



	564 25K CleanFace	564 25K Standard
a	41-1/8"	41-1/8"
b	33-1/8"	30-1/4"

564 25K Installation Requirements

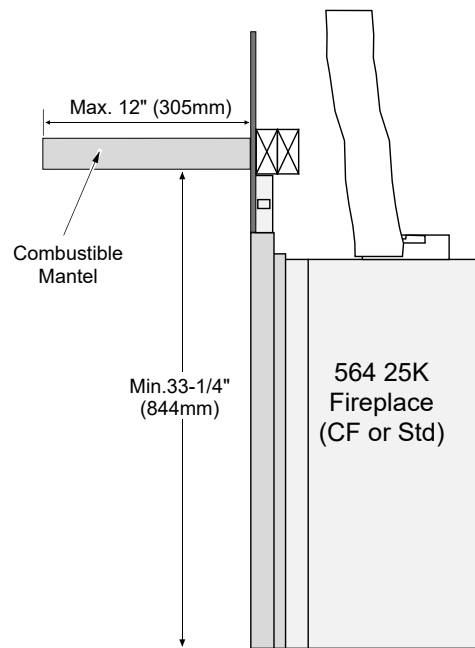


564 25K Reduced Mantel Height

When using this kit, disregard the combustible mantel requirements in the manual and follow the requirements shown to the right.

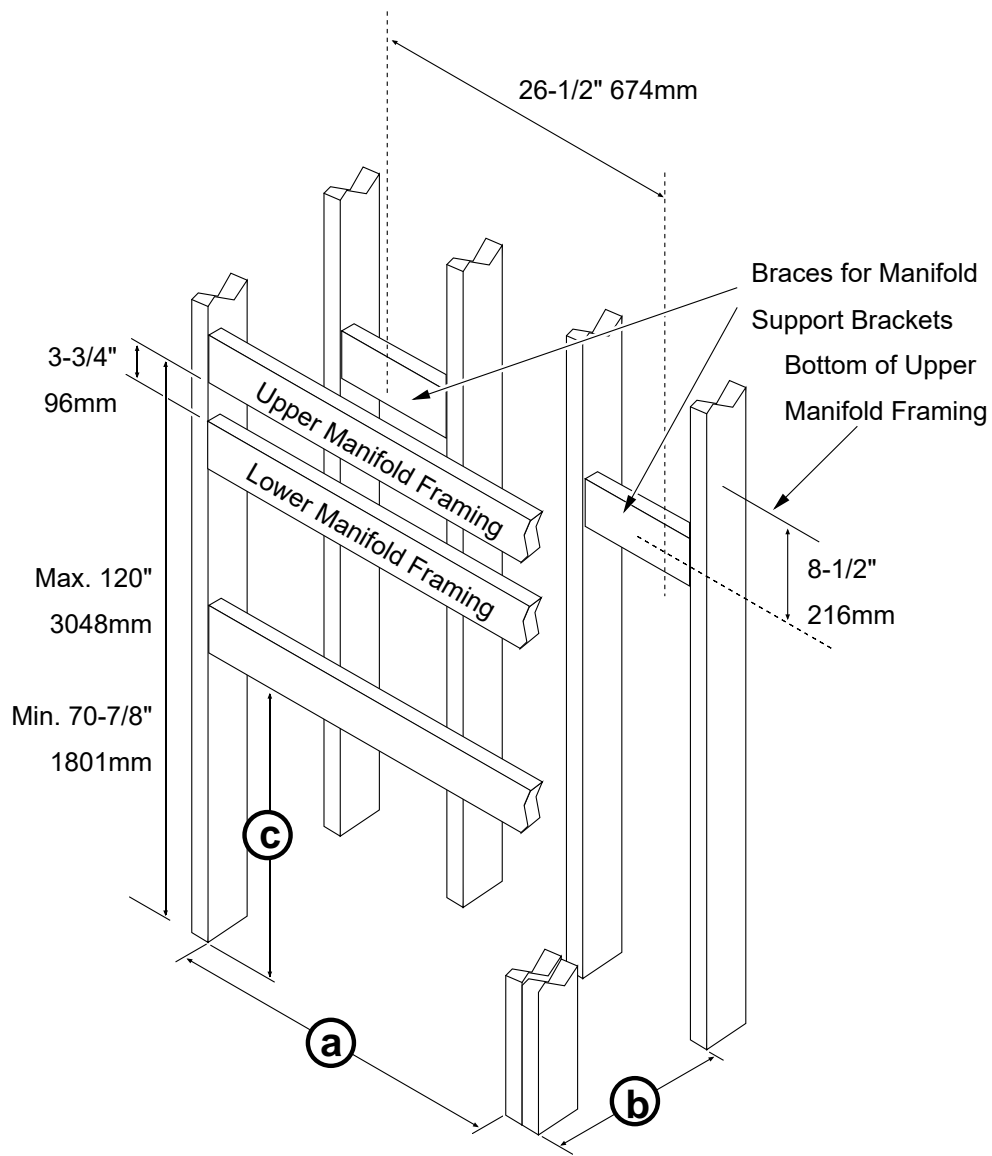
If you wish to place a TV above the mantel, it must meet the following requirements:

- Minimum 1" air gap behind TV to wall.
- The mantel must extend 2" in front of the TV and 1" to both sides.



564 25K Framing the Chase

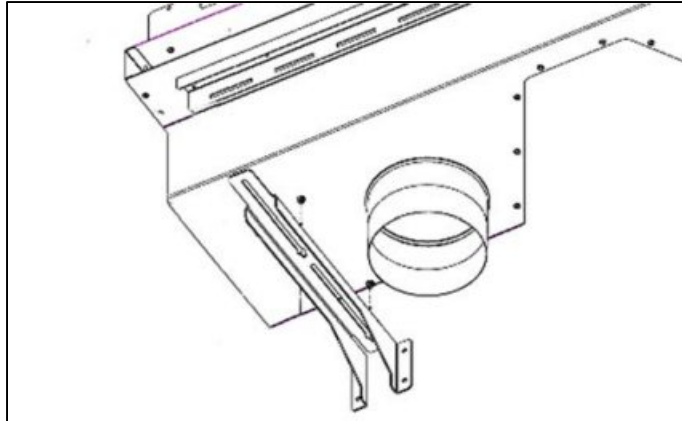
When using this kit, disregard the framing dimensions in the manual and follow the framing instructions shown below.



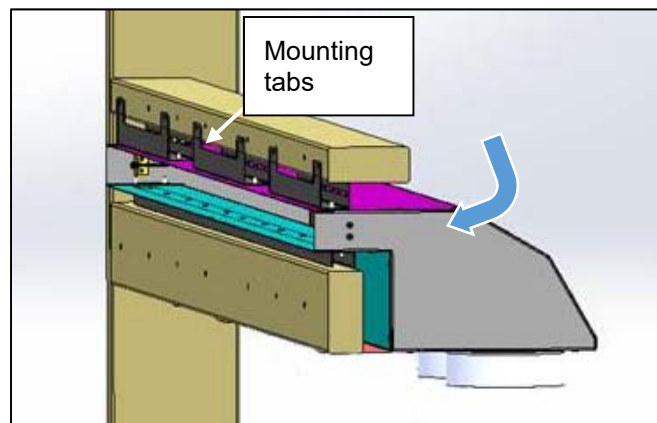
	564 25K Standard	564 25K CleanFace
a	37-3/4" (959mm)	38-3/4" (985mm)
b	17-1/2" (445mm)	19-3/8" (493mm) Flush 18-7/8" (480mm) Extended
c	37-1/4" (947mm)	37-1/4" (947mm)

Installation

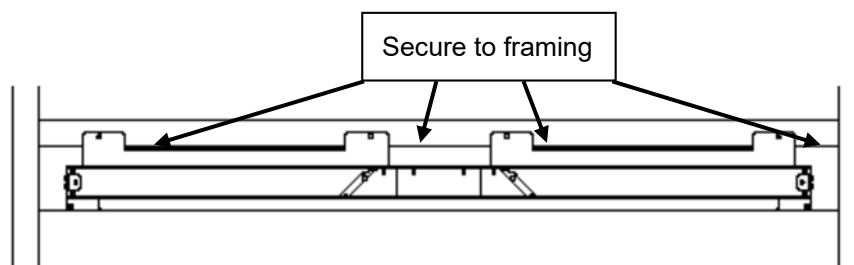
- 1 Remove the grill from the manifold (2 screws hold it in place).
- 2 Remove the rear-mounting brackets by loosening 1/4" screws and sliding it out of the keyhole slots.



- 3 Determine the desired location of the bottom of the convection air outlet. Install a horizontal framing member at the desired height, parallel to the header. Install a second horizontal framing member 3-3/4" above the first. These two framing members will support the upper convection manifold in the following steps.
- 4 Hold the upper convection manifold with the outlet facing the back of the framing members installed in the previous step. Tilt the outlet of the manifold downward until the outlet of the manifold and the two mounting tabs can fit between to two framing members. Slide the outlet into the gap and allow it to sit level again. The two mounting tabs will support the manifold.



- 5 Secure the manifold to the upper framing using screws (not included).



- 6 Re-attach the two rear mounting brackets (removed in step 6) to the bottom of the convection manifold. Leave the screws loose so the brackets can be positioned to the back of the chase. Secure the brackets to the chase using screws (not included). Tighten the screws securing the brackets to the manifold.



- 7 Remove the knockouts from the top of the fireplace.
- 8 Use snips or diagonal cutters to snip the tab on the knockouts. Press on the far side away from the tap to pop the edge of the knockout up.



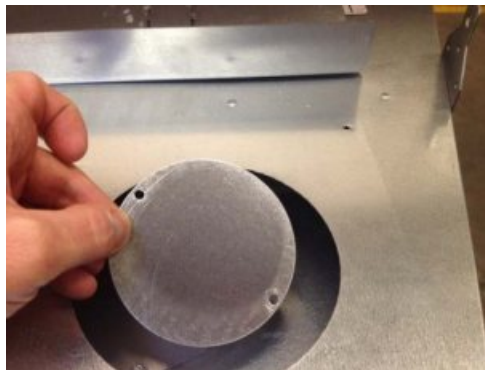
- 9 Grab on to the knockout with pliers and bend it back and forth until the remaining tabs break free. Discard the knock out plate.



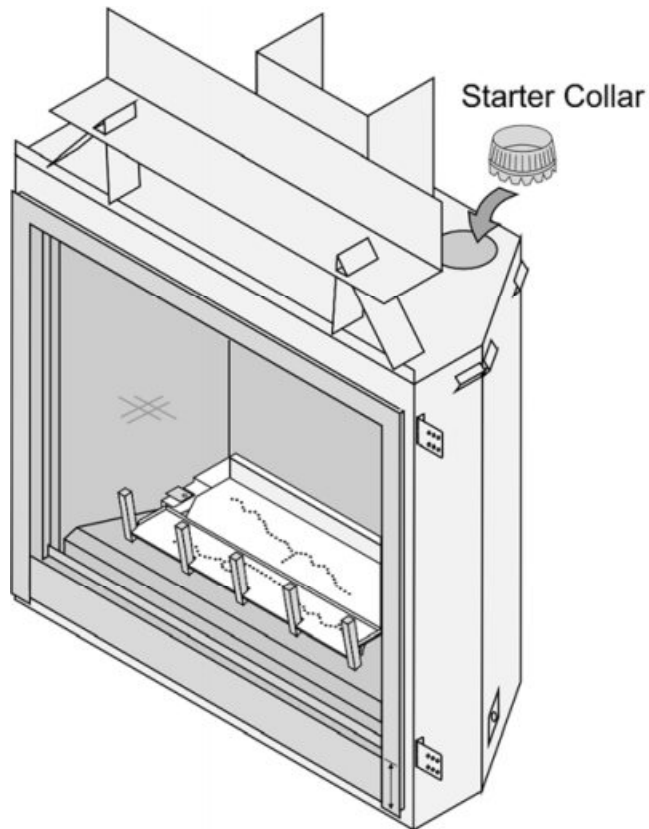
- 10 Under each knock out plate, you will find a cover plate held in place with (2) 1/4" screws. Use a nut driver or drill with an extension to remove the (2) screws. Reach in and remove the cover plate. You may discard the plates.



- 11 You will need to remove a third cover plate on each side. Remove the 2 screws holding the cover plate in place. Reach in and remove the cover plate. You may discard the plates.



- 12 Insert a starter collar into each of the (2) holes that were uncovered in the previous step and bend the tabs to secure the starter collar to the fireplace.. Seal the joints with silicone caulk or aluminum (U.L. 181A-P) tape.



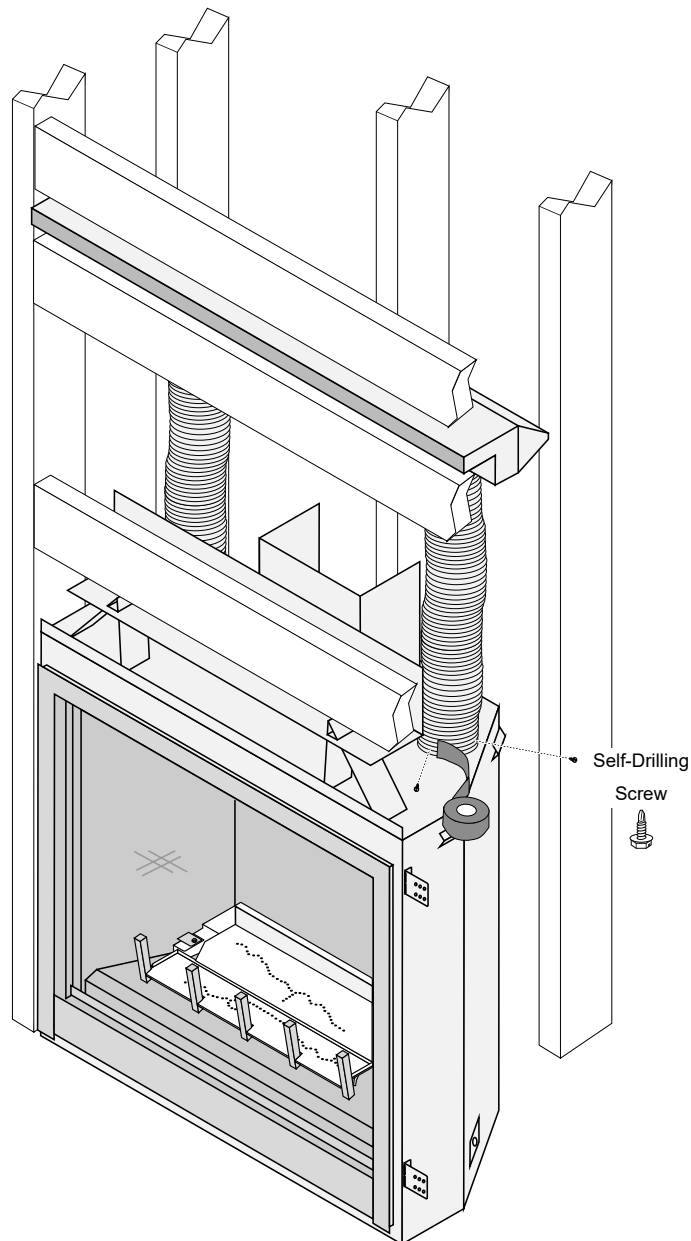
Use silicone to seal the starter collar to the top of the fireplace.



Bend the tabs on the bottom of the starter collar up to lock it in place.

- 13 Install the fireplace into the framed chase. See section "Installation" in the manual.

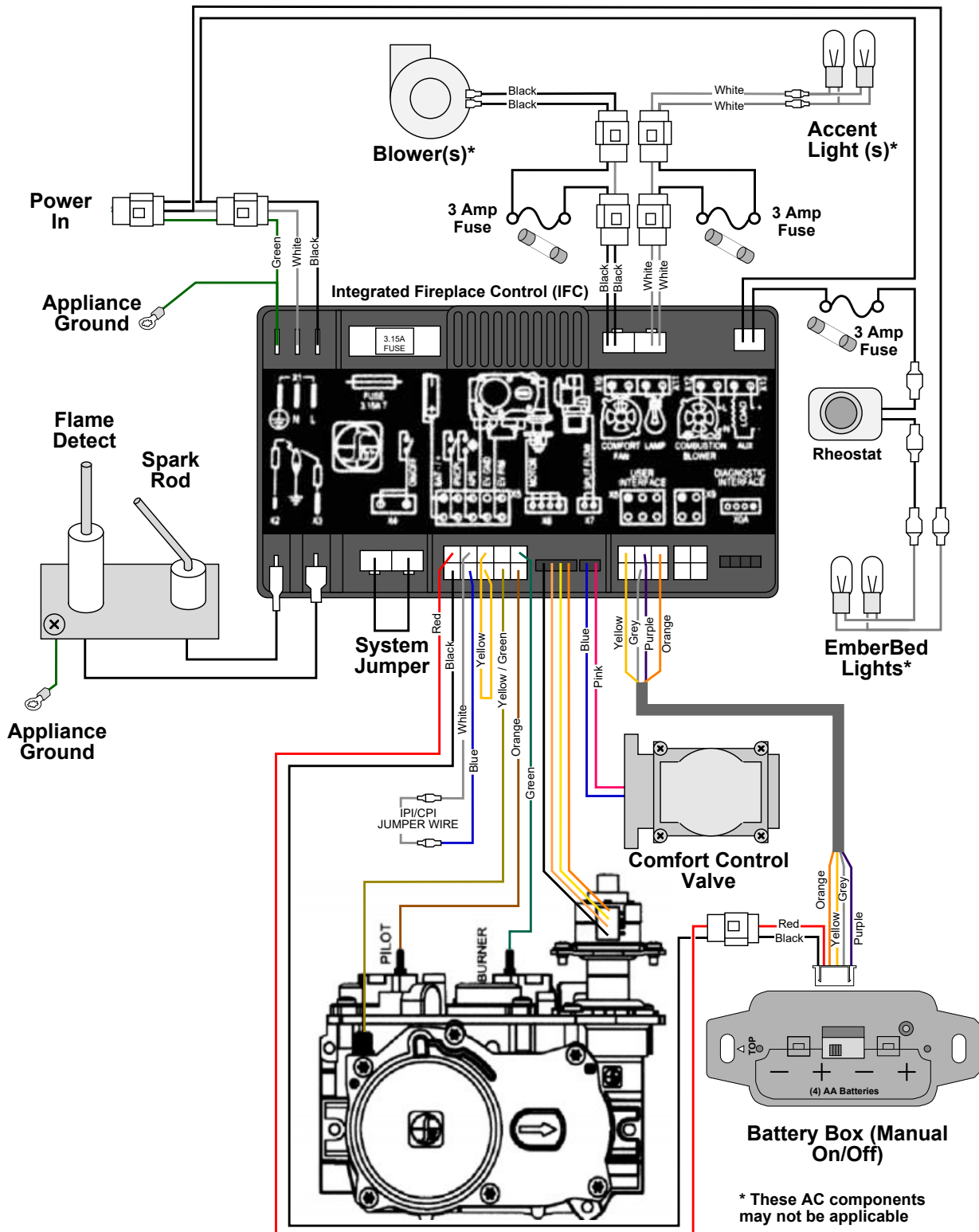
- 14 Stretch the included flex to its maximum length. Measure the distance between the starter collars on the fireplace and the inlets on the convection manifold. Cut the flex to the appropriate length and install between the fireplace and the manifold. Secure using (3) screws and seal the joints with silicone caulk or aluminum (U.L. 181A-P) tape.



- 15 Cover the face of the fireplace and the outlet of the manifold to ensure no construction debris or sheetrock dust enters the unit.
- 16 Once all finish work is complete around the outlet of the manifold, install the outlet grill assembly using the two included screws (one at each end). The grill assembly will overlap finish material up to 1-1/2" thick. See fireplace installation manual for finishing details.

NOTE: The manifold opening protrudes 7/16" proud of the framing. The wall may be finished to the opening if you do not wish to use the grill trim.

Wiring Diagram



Index

Additional Items Required	7	Mantel Requirements	43
Approved Vent Configurations	24	Masonry Chimney Conversions	32
Barrier Removal	48	Massachusetts Requirements	8
Class A Chimney Conversion	33	Optional CoolSmart TV Kit.....	69
Dimensions	6	Overview	2
Electrical Connection	21	Packing List.....	7
Ember bed Glass and Ember Material		Rear Vent Configuration with Horizontal	
Installation	52	Termination (no vertical rise).....	27
Facing Requirements	36	Rear Vent Configuration with Horizontal	
Fireback Installation	66	Termination (with vertical rise)	28
Fireplace Placement Requirements	14	Rear Vent Configuration with Vertical	
Gas Line Requirements	19	Termination	29
Glass Frame Removal and Installation	49	Recommended Installation Procedure	7
Grill Installation	68	Rock Wool Placement	62
Hearth Requirements	35	Safety Warnings.....	4
Heating Specifications.....	6	Shipping Retaining Nut Removal.....	51
Installation Example - Build-In with Horizontal		Steps for Finalizing the Installation	46
Termination.....	45	Termination Requirements	34
Installation Example - Build-Out (Dog-House)		Top Stand-Off Assembly.....	9
with Hor. Termination	44	Top Vent Configuration with Horizontal	
Installation Options.....	6	Termination	30
Installation Overview	7	Top Vent Configuration with Vertical Termination	
Listing Details.....	2	31
Log Set Installation.....	54	Top Vent or Rear Vent Configuration	11
LP Conversion Instructions	63	Vent Requirements	22