



**PREMIUM NEXGEN-FYRE™
WOOD BURNING
FIREPLACE INSERT COLLECTION**



**ALL
MODELS
2020 EPA
CERTIFIED**



THE GREATEST COLLECTION OF WOOD FIREPLACE INSERTS IN THE WORLD

Over 40 years ago in 1979, the Lopi® brand of premier stoves and fireplace inserts was born. Ten years later, Travis Industries purchased Lopi® and added the iconic Fireplaces Xtrordinair® brand, known as North America's leader in premium fireplaces and fireplace inserts. These two fabulous brands have merged together under one roof to bring you North America's favorite fire.

Together, Lopi® and Fireplaces Xtrordinair® present the greatest collection of wood burning fireplace inserts in the world. While all of the wood inserts in this catalog embody the same attention to detail in design, quality and construction, each model is quite unique. The Answer™ insert (pages 4 - 5) is exclusive to the Lopi® brand. The Medium and Large Flush Wood Inserts (pages 6 - 9) are available from both brands and are identical when it comes to their body, construction, features and overall build. The final cosmetic touches are all that separates these two brands. Both Lopi® and Fireplaces Xtrordinair® feature their own unique architectural styles of arched and rectangular face designs (see pages 10 - 11). We invite you to take a look at our selection of wood inserts and designer faces and choose the style that best suits your home.

Our heating appliances are designed and hand-assembled at our state-of-the-art factory in Mukilteo, Washington. Each insert comes with our seven year warranty. After all, we have the experience and confidence to stand behind every single product we make, so we put it in writing.



Lopi® and Fireplaces Xtrordinair® are not so much brand names as they are a tradition of craftsmanship in the construction of our wood inserts and of pride to the families who own them. We invite you to share this proud tradition.

Kurt W. F. Rumens
President, Travis Industries

WOOD HEAT IS GREAT FOR YOU!

Energy Independence

The expense of heating your home with oil, gas or electricity keeps going up. Our wood inserts deliver both radiant and convective heat that comfortably warms your home for a fraction of what you'd pay for standard utilities.

No Power? No Problem!

Our wood inserts are designed to keep you warm and cozy under any circumstance. These inserts do not require the blowers to be on to operate and feature natural convection heat that will warm your home without the use of power, making them a reliable heat source during power outages.

Exclusive NexGen-Fyre™ Technology

NexGen-Fyre™ takes our non-catalytic wood burning technology to the next level! With NexGen-Fyre™, primary and secondary combustion are harnessed to create the ultimate blended combustion system. This produces beautiful, balanced fires with double the BTU range, up to 50% greater heat output, and longer burn times than any other non-catalytic technology.





Shown with the optional convection fan and seamless one-piece panel.

Scan this QR code to watch a video of this model burning.



LOPI® ANSWER™ NEXGEN-FYRE™



Small Insert with Great Convective Heat

The Answer™ is an excellent choice for heating an individual room or small home. It conserves space by mounting almost flush to your existing masonry or zero clearance fireplace. This insert offers advanced features like a five-sided convection chamber to evenly distribute warm air, and a single air control for easy regulation of burns and heat output. The Answer's 1.5 cubic foot firebox is large enough to hold an 18" log while providing long burn times.

Options

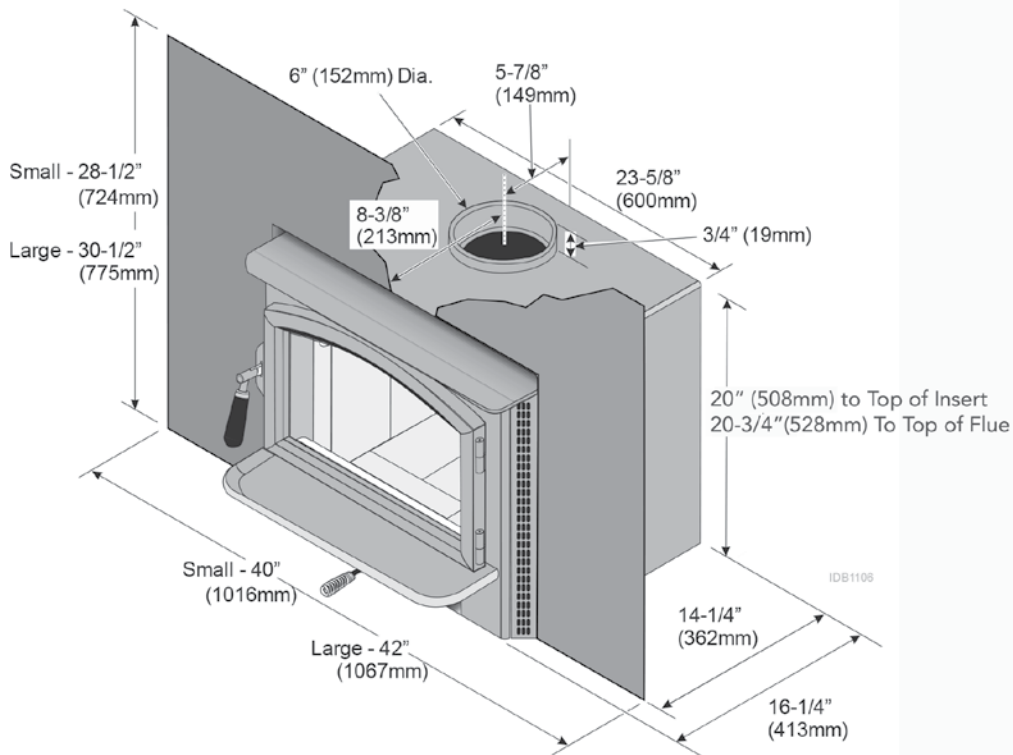
- One Piece Finish Panels (*custom panels also available through your local dealer*)
- 130 CFM Convection Fan

Specifications

Emissions:*	2 Grams Per Hour (Cord Wood)
Heating Capacity:	750 to 1,200 Square Feet
Heat Output:**	12,129 to 59,527 BTU's Per Hour
Burn Time:	Up to 8 Hours
Firebox Size:	1.5 Cubic Feet
Maximum Log Size:	18 Inches
Weight:	285 Pounds
Construction:	1/4" to 3/16" Steel Plate
Efficiency:*	HHV: Up to 72%, LHV: Up to 78% (see page 14)
Glass Viewing Area:	15-1/4" W x 9-1/4" H (135 Sq. In.)

* Overall Efficiency (HHV and LHV) as tested using B-415.1 using Cord Wood

**EPA tests to determine BTU output are achieved with a single load of wood at each burn rate. At home, you are likely to add more wood to your insert to maintain your desired comfort level. By the simple process of loading your fireplace insert with additional wood, you could achieve up to a 20% higher heat output than established during EPA testing.





*Shown with the rectangular door,
Lopi® Times Square™ Face, seamless
one-piece panel, optional GreenStart®
Igniter and optional Hidden Wiring Kit.*

Scan this QR
code to watch a
video of this
model burning.



MEDIUM FLUSH WOOD NEXGEN-FYRE™



A Mid-Sized Flush Insert that Provides Extraordinary Heat

The Medium Flush Wood NexGen-Fyre™ Insert converts a wasteful masonry or zero clearance fireplace into an excellent heat source that can provide reliable warmth at a fraction of the cost of electricity or oil. With a three-sided convection chamber and standard 180 CFM convection fan, this insert is designed to deliver the maximum heat output from the wood you burn due to our advanced NexGen-Fyre™ technology. Available in arched or rectangular door designs.

This model is sold under both the Lopi® and Fireplace Xtrordinaire® brands. They feature identical bodies and the only difference is your choice of face designs. We have combined all of the face designs in this catalog so you can easily choose the look that best fits your home decor.

Options

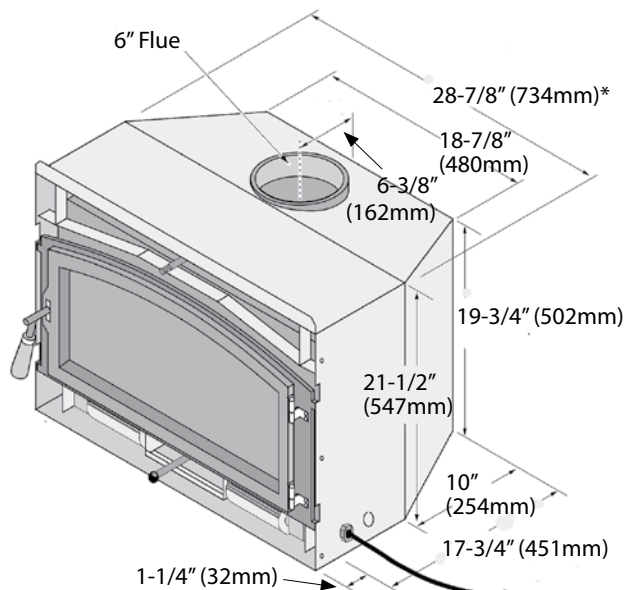
- Six Lopi® and Fireplace Xtrordinaire® face designs to choose from (see pages 10 & 11)
- One Piece Finish Panels (custom panels also available through your local dealer)
- Hidden Wiring Kit
- **GREEN START** Igniter

Specifications

Emissions:*	2.4 Grams Per Hour (Cord Wood)
Heating Capacity:	1,200 to 2,000 Square Feet
Heat Output:**	15,583 to 55,395 BTU's Per Hour
Maximum Burn Time:	Up to 10 Hours
Firebox Size:	2.2 Cubic Feet
Maximum Log Size:	24 Inches
Weight:	450 Pounds
Construction:	5/16" to 1/4" Steel Plate
Bypass Damper	Yes
Efficiency:*	HHV: Up to 72%, LHV: Up to 78% (see page 14)
Glass Viewing Area:	22-5/8" W x 10" H (216 Sq. In. Arch, 227 Rect.)

* Overall Efficiency (HHV and LHV) as tested using B-415.1 using Cord Wood

**EPA tests to determine BTU output are achieved with a single load of wood at each burn rate. At home, you are likely to add more wood to your insert to maintain your desired comfort level. By the simple process of loading your fireplace insert with additional wood, you could achieve up to a 20% higher heat output than established during EPA testing.



*You will need a fireplace opening of 34-7/8" wide measured 4" back from the front if you are using the GreenStart® Igniter option.

LARGE FLUSH WOOD NEXGEN-FYRE™



One of the Cleanest Burning Large Wood Inserts on the Planet

When compared to any other large wood insert on the market, you will find that our Large Flush NexGen-Fyre™ Insert offers you the best choice in looks, construction, and performance. The flush design does not extend onto the hearth to offer a classic, finished look. NexGen-Fyre™ technology and premium quality materials combined with beauty and optimum performance bring you a 'best in class' insert that will heat your home for years to come. Available in arched or rectangular door designs.

This model is sold under both the Logi® and Fireplace Xtrordinaire® brands. They feature identical bodies and the only difference is your choice of face designs. We have combined all of the face designs in this catalog so you can easily choose the look that best fits your home decor.

Options

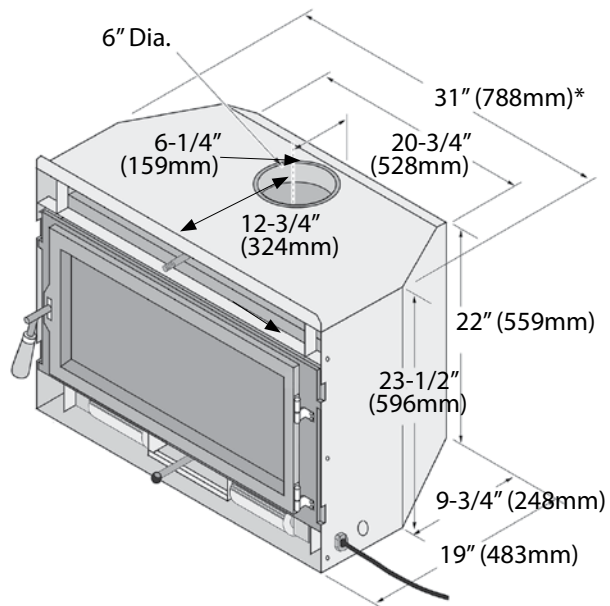
- Seven Logi® and Fireplace Xtrordinaire® face designs to choose from (see pages 10 & 11)
- One Piece Finish Panels (custom panels also available through your local dealer)
- **GREEN START™** Igniter
- Hidden Wiring Kit

Specifications

Emissions*:	1.7 Grams Per Hour (Cord Wood)
Heating Capacity:	1,500 to 2,500 Square Feet
Heat Output:**:	17,900 to 66,736 BTU's Per Hour
Maximum Burn Time:	Up to 12 Hours
Firebox Size:	3.0 Cubic Feet
Maximum Log Size:	24 Inches
Weight:	530 Pounds
Construction:	5/16" to 1/4" Steel Plate
Bypass Damper	Yes
Efficiency*:	HHV: Up to 73%, LHV: Up to 79% (see page 14)
Glass Viewing Area:	24-1/2" W x 13" H (307 Sq. In. Arch, 319 Rect.)

* Overall Efficiency (HHV and LHV) as tested using B-415.1 using Cord Wood

**EPA tests to determine BTU output are achieved with a single load of wood at each burn rate. At home, you are likely to add more wood to your insert to maintain your desired comfort level. By the simple process of loading your fireplace insert with additional wood, you could achieve up to a 20% higher heat output than established during EPA testing.



*You will need a fireplace opening 40-3/4" wide if you are using the GreenStart® Igniter option.





Scan this QR code to watch a video of this model burning.



Shown with the rectangular door, Lopi® Universal Face, seamless one-piece panel and optional Hidden Wiring Kit.

FACE DESIGNS

Both Lopi® and Fireplace Xtrordinair® feature their own unique architectural styles of arched and rectangular face designs. We invite you to take a look at our selection of designer faces below and choose the style that best suits your home.

ARCHED DOOR FACES

**FIREPLACE
XTRORDINAIR
FACE
COLLECTION**



CLASSIC ARCH™ FACE ARCHED DOOR

*Metallic Black paint finish**

Medium Flush Wood - 33-1/4" W x 23-3/4" H

Large Flush Wood - 35-1/4" W x 26-3/8" H



ARTISAN™ HAND-FORGED, HAND-HAMMERED IRON FACE ARCHED DOOR

(Limited to stock on hand)

*New Iron paint finish**

Large Flush Wood Only

35-1/4" W x 26-3/8" H



Design your perfect fire at:
firebuilder.travisindustries.com



**FACE
COLLECTION**



WILMINGTON™ FACE ARCHED DOOR

*Metallic Black paint finish**

Medium Flush Wood - 33-3/8" W x 23-1/4" H

Large Flush Wood - 35-3/8" W x 26-1/4" H

Note: All faces intentionally show the same flame pattern so you can focus your attention on the detailing of the door and face designs. All faces shown are featured on the Large Flush Wood Insert model.

**Our faces are painted with Stove Bright™ high temperature stove paint. The finish color in pictures may appear lighter than the actual color seen in your home setting. Ask your dealer to show you a sample of the actual paint finish.*

RECTANGULAR DOOR FACES



METROPOLITAN™ FACE RECTANGULAR DOOR

*Metallic Black paint finish**

Medium Flush Wood - 33-3/8" W x 23-1/4" H

Large Flush Wood - 35-3/8" W x 26-1/4" H



SHADOWBOX™ FACE RECTANGULAR DOOR

*Metallic Black paint finish**

Medium Flush Wood - 35-3/4" W x 22-1/8" H

Large Flush Wood - 37-3/4" W x 25-1/8" H



UNIVERSAL FACE RECTANGULAR DOOR

*Metallic Black paint finish**

Medium Flush Wood - 33-3/8" W x 23-1/4" H

Large Flush Wood - 35-3/8" W x 25-3/4" H



TIMES SQUARE™ FACE RECTANGULAR DOOR

*Metallic Black paint finish**

Medium Flush Wood - 35-3/4" W x 22-1/4" H

Large Flush Wood - 37-3/4" W x 25-3/4" H

DARE TO COMPARE!

CONSTRUCTION

We build the finest wood burning inserts on the planet. Proudly built in the USA, our wood inserts are designed to stand up to the rigors of time. When you buy a Lopi® or Fireplace Xtrordinair®, you're buying the best.

- Strong and durable unibody construction
- Heavy duty 5/16" & 1/4" steel
- High temperature ceramic glass
- Stainless steel tubes
- Perforated airwash keeps the glass clean



Cast iron door features a raised, pinched door seal and secure locking door handle that ensures an air-tight seal around the glass, so the door will never warp or flex. The frame also protects the glass gasket from direct contact with the fire.



The bypass damper gives you full control over the flow of smoke inside the unit. This allows you to start and maintain your fires quickly and easily by eliminating smoky startups and reloading.

(Not available on the Answer™ model)



We use real kiln-fired, refractory firebrick in the firebox. This is the same material used to line commercial boilers and furnaces, and is twice the weight of typical brick. The brick protects the steel while increasing the internal temperature within the firebox.



Our single air control is easier to fine tune to your heating needs by regulating both primary and secondary air to the insert. The result is easy operation with optimum efficiency and control throughout the burn cycle.



Medium Flush Wood NexGen-Fyre™ shown with the rectangular door, FireplaceX® Metropolitan Face™ and seamless one-piece panel.

DARE TO COMPARE!

PERFORMANCE

EPA Cord Wood Tested

Most manufacturers test to the old crib wood standard, which produces great lab results, however does not give you real world measurements on how the unit will operate in your home. Testing with cord wood produces true real world measurements that can be duplicated in your home.



Scan this QR code to watch a video on the benefits of testing with cord wood, why a wide BTU range is important, and the difference between HHV & LHV efficiencies.

Wide BTU Range

The low to high BTU heating range of a wood burning appliance is a great indicator of its performance. The wider the BTU range, the better the unit's performance. Low BTUs represent control and overnight burns. High BTUs deliver more heat into your home at a faster rate, allowing your cold home to heat up quicker. Lopi® and Fireplace Xtrordinair® feature wider BTU ranges than any other wood insert brand, giving you the ability to meet all of your heating needs.

Efficiency Numbers

There are two different numbers used to calculate efficiency:
HHV (High Heating Value) or LHV (Low Heating Value)

The EPA requires all wood burning appliances to have their efficiency measured and listed on the EPA website. EPA publishes the OE (Overall Efficiency) HHV number in all consumer data. There is a difference in what manufacturers are choosing to market for efficiency.

The **LHV** number always shows a higher efficiency because it assumes the wood has 0% moisture content. This will never happen, even with dry, seasoned cord wood! The LHV method is theory based and misleads consumers into thinking they are buying a more efficient wood heater.

The **HHV** efficiency number reflects the actual energy transferred into your home. This method certifies the percentage of moisture content in the wood during the EPA test and calculates the heat transfer. This is based on 19% - 24% moisture content in the wood, which is what the average consumer should be using.

Our No-Nonsense Approach

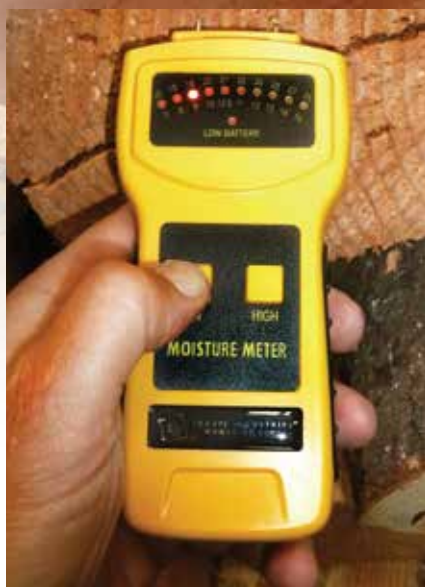
We publish both numbers so you can compare apples to apples and get a true understanding of each unit's performance (HHV). This will help eliminate any confusion on the excellent efficiencies and wide heating ranges of our wood burning inserts.



Scan this QR code to view the EPA's official list of certified wood burning appliances.



Large Flush Wood NexGen-Fyre™ shown with the rectangular door, FireplaceX® Shadowbox Face™, seamless one-piece panel and optional Hidden Wiring Kit.



Free Moisture Meter

Testing the moisture level in your wood is a crucial, yet often ignored step when burning a fire. Wet wood creates excessive smoke and moisture in the firebox, whereas dry wood (19% - 24% moisture content) allows for a hotter, more efficient burn. A FREE moisture meter is included with your wood insert so you can ensure you are burning dry wood and getting the highest performance out of your appliance.

GREEN START®



FIREPLACE
XTRORDINAIR

**PUSH BUTTON START UP,
THE GREATEST WOOD INSERT OPTION EVER!**



The compressor assembly that comes with the GreenStart® Igniter may be placed on the floor or hearth, away from the insert. It may also be placed in a ventilated enclosure or remote location. If it is placed in a remote location, make sure it is accessible.

Large Flush Wood NexGen-Fyre™ shown with the arched door, Lopi® Wilmington Face™, seamless one-piece panel, optional GreenStart® Igniter and optional Hidden Wiring Kit.

Starting a fire in your wood insert is now as convenient as pushing a button.

The patent-pending GreenStart® ignition system eliminates the mess of starting a fire with matches and newspaper, while increasing safety at the same time.

The GreenStart® system is perfect for refreshing a fire; simply open the bypass damper, add new fuel to the hot coals, push the button twice and the igniter adds enough air to ignite the hot coals. There is no need to blow on the coals or leave the door ajar, it's that easy!

(Not available on the Answer™ Insert)

PUSH A BUTTON



START YOUR FIRE



Hot surface igniter blows 1,400 degree heated air into the firebox, igniting the wood.



Igniter shuts down and the blower continues to push air, acting as a bellows to fan the fire.



Blower continues to fan fire at various speeds to deliver proper draft in the chimney and a vigorous fire.



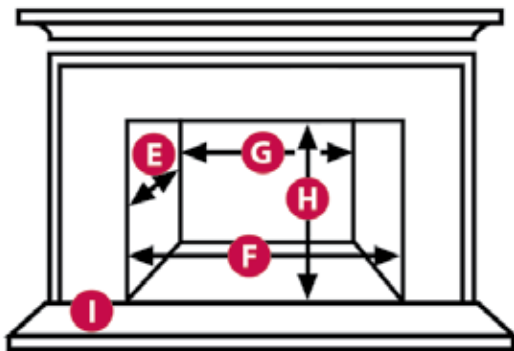
Blower shuts down. Homeowner adjusts bypass damper and air control to maintain fire.

18 SIZING YOUR INSERT TO YOUR FIREPLACE

Our wood inserts allow you to enjoy a gorgeous, glowing fire without losing heat out of your chimney. These inserts are designed to transform virtually any masonry or zero clearance (metal) fireplace into an efficient source of heat. Traditional, open fireplaces can have efficiency ratings as low as 15%, and depending on the condition, can actually draw the heat out of your home for a net heat loss. Our wood burning inserts achieve maximum efficiency ratings as high as 73%.



Typical Masonry Fireplace



Your Fireplace Measurements

- E. = Depth
- F. = Front Width
- G. = Back Width
- H. = Height
- I. = Hearth Depth

Approved ZC Fireplaces
Must be manufactured by one of the following companies:

- Marco
- Majestic
- Heatilator
- Preway
- Tempco
- Superior
- Heat N Glo
- Lennox
- Martin
- Monesson

See the Owner's Manual for details.

	SMALL INSERT		MEDIUM INSERT		LARGE INSERT	
Minimum Fireplace Requirements Per Model	ANSWER NEXGEN-FYRE™		MEDIUM FLUSH WOOD NEXGEN-FYRE™		LARGE FLUSH WOOD NEXGEN-FYRE™	
	Masonry	Metal (ZC)	Masonry	Metal (ZC)	Masonry & Metal (ZC)	
E = Minimum Depth	14-1/2"	15-1/2"	19"	20"	19"	
F = Minimum Front Width With GreenStart®*	23-5/8"	25-5/8"	30-7/8"	30-7/8"	33"	
	N/A	N/A	36"	36"	40"	
G = Minimum Back Width	23-5/8"	25-5/8"	18-7/8"	20-7/8"	20-3/4"	
H = Minimum Height	20-3/4"	20-3/4"	21-1/2"	21-1/2"	23-1/2" Front, 22" Rear	
I = Minimum Hearth Depth	18" US	20" CAN	16" US	18" CAN	16" US	18" CAN
Rectangular Panels Custom One Piece Rectangular and Arched Panels available through Special Order.	Single Piece Panels SM: 28-1/2" H x 40" W LG: 30-1/2" H x 42" W		Single Piece Panels SM: 42" W x 30-1/2" H LG: 44" W x 34" H		Single Piece Panels SM: 42" W x 32-1/2" H LG: 47" W x 35" H	

*GreenStart® igniter option requires additional firebox width measured 3" from front of fireplace opening.

SPECIFICATIONS

Determine which insert is best for your home based on your fireplace size and heating requirements.

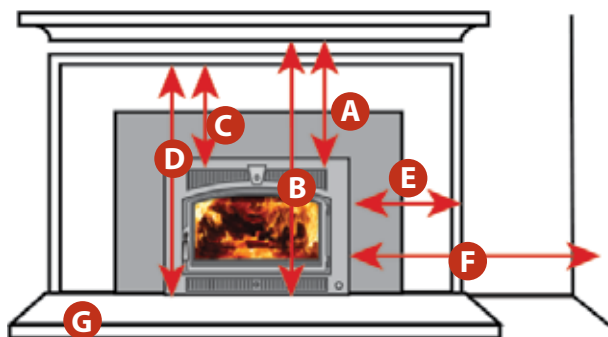
For installation specifications, refer to the Owners Manuals found on the Lopi® or FireplaceX® websites.



	SMALL INSERT	MEDIUM INSERT	LARGE INSERT
	ANSWER NEXGEN-FYRE™	MEDIUM FLUSH WOOD NEXGEN-FYRE™	LARGE FLUSH WOOD NEXGEN-FYRE™
SPECIFICATIONS			
Width	23-5/8"	28-7/8" front, 18-7/8" back	31" front , 20-3/4" back
Height	20-3/4"	21-1/2"	23-1/2" front, 22" back
Depth (overall)	16-1/4"	19"	19"
Depth on Hearth	2"	1-1/4"	0"
Depth into Fireplace	14-1/2"	17-3/4"	18"
Flue Size	6"	6"	6"
Construction	Up to 3/16"	Up to 5/16"	Up to 5/16"
Weight (body)	285 lbs.	450 lbs.	530 lbs.
PERFORMANCE			
Emissions	2.0 Grams/Hr. (Cord Wood)	2.4 Grams/Hr.(Cord Wood)	1.7 Grams/Hr. (Cord Wood)
Heating Capacity	Up to 1,200 Sq. Ft.	Up to 2,000 Sq. Ft.	Up to 2,500 Sq. Ft.
EPA Tested BTUs Cord Wood "Real World BTUs"*	12,129 to 59,527 See Below*	14,483 to 55,395 See Below*	17,900 to 66,736 See Below*
Overall Efficiency HHV, LHV	Up To 72% HHV, 78% LHV	Up To 72% HHV, 78% LHV	Up To 73% HHV, 79% LHV
Maximum Burn Time	Up To 8 Hours	Up To 10 Hours	Up To 12 Hours
Firebox Size	1.5 Cubic Ft.	2.2 Cubic Ft.	3.0 Cubic Ft.
Maximum Log Size	Up to 18"	Up to 24"	Up to 24"

*EPA tests to determine BTU output are achieved with a single load of wood at each burn rate. At home, you are likely to add more wood to your insert to maintain your desired comfort level. By the simple process of loading your fireplace insert with additional wood, you could achieve up to a 20% higher heat output than established during EPA testing.

CLEARANCES TO COMBUSTIBLES & HEARTH PROTECTION



	SMALL INSERT	MEDIUM INSERT	LARGE INSERT
	ANSWER NEXGEN-FYRE™	MEDIUM FLUSH WOOD NEXGEN-FYRE™	LARGE FLUSH WOOD NEXGEN-FYRE™
	Masonry Metal (ZC)	Masonry Metal (ZC)	Masonry & Metal (ZC)
A = Insert Top to Mantel	15-1/2" 24"		
B = Insert Base to Mantel		41-1/2" 41-1/2"	41"
C = Insert Top to Top Facing	12" 12"		
D = Insert Base to Top Facing		39" 39"	37"
E = Insert Side to Side Facing	9-1/2" 12"	9" 9"	5-1/2"
F = Insert Side to Side Wall	13" 13"	9" 9"	10-1/2"
G = Minimum Non-Combustible Hearth	Wide 39-5/8" Depth 18" USA 20" CAN	Wide 44-7/8" Depth 16" USA 18" CAN	Wide 47" Depth 18"

PROFESSIONAL HEARTH RETAILERS

Only the most professional specialty hearth retailers are authorized to sell Lopi® and Fireplace Xtrordinair® appliances. They represent our total commitment to exceptional products and excellent service. In addition, they have successfully completed special training programs in the proper selection, installation, and service of all Lopi® and Fireplace Xtrordinair® appliances.

Our professional hearth dealers are experts who can advise you on everything from customizing the color of your appliance to selecting appropriate venting and chimney materials.



SAFETY PRECAUTIONS

Children, like most of us, are fascinated by fire. For families with young children, inserts pose a potential safety hazard. Take the time to educate young children about the dangers of fire and the hot surface temperatures of glass and metal surrounding your wood burning appliance. If you have an infant or toddler, consider installing a firescreen; make sure it's tall enough so that children can't climb over it, and it's placed far enough away so that reaching arms can't touch the surfaces of the appliance. A few precautions such as these will allow everyone in your home to safely enjoy the comfort and warmth of your new insert.

VENTING ACCESSORIES

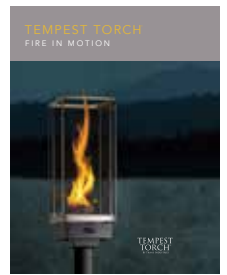
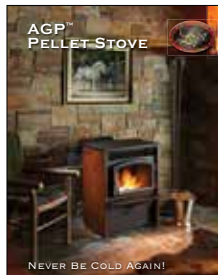
WOOD VENTING

We have partnered with Duravent® Mfg. to offer several great cost effective venting options specifically designed for our wood inserts.

WOOD MASONRY AND ZC LINER KITS

All optional vent kits include 6" 304 SS flex pipe, insert adapter, top plate and cap. Available in 15', 25' and 35' lengths.

Ask your local dealer for details.



Lopi® and Fireplace Xtrordinair® manufacture a wide variety of quality wood, pellet, and gas hearth appliances. Find your favorite fire today by visiting firebuilder.travisindustries.com

YOUR AUTHORIZED DEALER:



Manufactured in Mukilteo, WA
By Travis Industries, Inc.

