

FIREPLACE
FIREPLACE XTRORDINAIR®

GREENSMART™ GAS FIREPLACES



7 Reasons to Choose a Gas Fireplace from FireplaceX®

There are several important factors to consider when purchasing a gas fireplace, from reliability to safety and everything in between. Here are seven reasons for choosing a FireplaceX® gas fireplace.

1. Ground Breaking Technology



Many FireplaceX® gas fireplaces feature the award winning Ember-Fyre™ burner which won the Popular Science “Best of What’s New” award for its amazing high definition log set and burner that is so realistic you’ll have a hard time telling our gas fires from a real wood burning fire.

GREEN SMART™

All of our gas fireplaces feature the revolutionary GreenSmart™ system: a collection of unique components such as Accent Lights, Comfort Control and a “Smart” Thermostat mode. Refer to page 38 for a more detailed look at all the benefits GreenSmart™ has to offer and why it makes our fireplaces very “green” to own and operate.

2. Versatility

FireplaceX® truly offers a fireplace for every room in any home. With a wide variety of sizes, burners, heat outputs, and unique styles to choose from, we have the perfect fireplace to fulfill any of your heating and design needs.

3. Performance and Ease of Use

Our fireplaces are designed for maximum performance and to provide comfort and warmth under all conditions and for virtually any heating need.

Our user-friendly wall mount GreenSmart™ remote control allows you to operate every function of your fireplace from the comfort of your favorite chair or mounted on the wall.



4. Construction

Behind the beautiful flames is high quality construction made from the finest materials around the world to ensure longevity and durability that you won't find with any other fireplace. We stand behind the quality, workmanship and materials in our fireplaces with our “Real World” Seven Year Warranty.

5. American Made



FireplaceX® proudly produces our high quality gas fireplace line at our 11 acre House of Fire manufacturing plant in Mukilteo, Washington. With over 400 dedicated employees, we are passionate about both the science and art of fire. If you're ever in the Seattle area, we invite you to take a free tour of our world-class manufacturing plant. For more details visit www.houseoffiretour.com

6. Attention To Detail



Every detail counts when it comes to constructing our fireplaces. From our realistic, high definition log sets to our unique, hand-crafted faces, our attention to detail inside and out is unmatched.

7. Safety First

FireplaceX® gas fireplaces now come standard with ANSI-compliant glass safety screens. These screens are built directly onto the fireplaces and serve as a barrier that protects against accidental contact with hot glass surfaces, reducing potential for injury. These screens are practically invisible and are so discrete that they do not detract from the fire view in any way.

This Brochure Is Divided Into Four Sections

Section 1 - Clean Face Fireplace Models Pages 3-9

With three different sizes to choose from, FireplaceX's dynamic trio of Clean Face Gas Fireplaces feature the very best in style, construction and performance.

Section 2 - Traditional Fireplace Designs Pages 10-25

Pick the fireplace or fireplaces to make your vision happen. Our traditional gas fireplaces are available in 6 models with different performance capacities and sizes to meet every heating need.

Section 3 - Traditional Fireplace Models Page 26-37

With six different sizes to choose from, FireplaceX's dynamic lineup of Traditional Gas Fireplace feature models in a variety of sizes, styles and performance.

Section 4 - Technology & Specifications Page 38-44

All of our fireplaces feature the revolutionary GreenSmart™ burner technology and can be installed with horizontal or vertical venting, allowing you to install your fireplace almost anywhere in your home. We ship our fireplaces to use Natural Gas but can easily be converted to burn LP (Propane).

COVER: 864 TRV shown with Handmade Brick fireback and Burnished Patina Timberline™ Face. Mantel and facing is made of non-combustible material.

Clean Face Fireplaces

FIREPLACE
FIREPLACE XTRORDINAIR®



This living room features the 4237 Clean Face with bronze patina Timberline™ Trim, Lodge Ring Andirons and Handmade Brick fireback.

564 Clean Face™ Gas Fireplace



SEE VIDEO
of this product burning



Web address:
vimeo.com/17605037



564 Clean Face™ GreenSmart™ with Remote

The 564 Clean Face™ is the perfect choice for anyone looking to have a clean, tight fire view with no grills or facing. Its sleek, clean appearance allows the mantle or surround and the Dancing-Fyre™ log set to be the focal point of the room. The 564 Clean Face™ is ideal for any small to mid-sized home or living space. Its transitional design and flexible installation options allow it to make a statement in both contemporary and traditional homes.

The 564 Clean Face™ is a deluxe unit that includes the GreenSmart™ Wall Mount Remote Control and convection fan. Both of these items add efficiency and boost performance. The wireless wall mounted remote control adds convenience of operation from your couch or the wall holster.

Features

- Tempered glass: 30" W x 16-3/4" H
- Low visibility ANSI approved glass safety screen.
- Wall Mounted GreenSmart™ Remote Control.
- Split-flow Dancing-Fyre™ burner with high definition logs and embers for realistic flame.
- 8" top or rear vent installation options.
- Accent Lights
- Twin 90 CFM Convection Fans

Additional Options:

- Adjustable Tile Trim Kit
- 2" Trim Kit

Heating Capacity:
up to 950 sq. ft.

BTU/Hr. Input Range :
5,100 (NG) 4,200 (LP) to 20,500 (NG/LP)

Steady State Efficiency (On High):
Up to 81.09% (NG), 84.06% (LP)

EnerGuide P4 Efficiency
67.7% (NG) 70.11% (LP)

Optional Decorative Fireback Designs

Personalize the inside of your fireplace with one of our many fireback options.



Reversible Common Brick/Herringbone Brick



Handmade Brick



Reversible Diamond Mosaic/Old World Stucco



Ledgestone



Stainless Steel
Finish will patina with age.



Black Enamel

Optional Cast Iron Andirons

Make your fireplace even more authentic with one of our classic cast iron andiron sets.



Lodge Ring



Traditional Ring

864 Clean Face™ Gas Fireplace



SEE VIDEO
of this product burning



Web address:
vimeo.com/17605715

This living room features the 864 Clean Face with the Tile Trim Kit and Common Brick fireback.



The 864 Clean Face allows you to sheetrock up to the edge of the fireplace. Shown with 2" Trim kit.

864 Clean Face™ GreenSmart™ with Remote

The large, clean fire view of the 864 Clean Face showcases the highly detailed Dancing-Fyre™ log set and glowing embers from any angle in the room. This all-glass appearance shows no visible face, grills or louvers, it simply highlights the fire. All of the components on this fireplace are controlled with the easy-to-use GreenSmart™ wall mounted remote control. The 864 Clean Face™ comes fully loaded and includes accent lights and powerful convection fans for maximum heating performance.

The 864 Clean Face™ Gas Fireplace is the perfect solution for anyone looking to have a big, beautiful fire that provides supplemental heat. It's ideal for small to mid-sized homes or zone heating in large living spaces such as great rooms and living rooms. The 864 Clean Face™ allows you to comfortably display a gorgeous, glowing fire all year-round while being able to control the heat output to a setting that is just right for you.

Features

- Tempered glass: 34-1/2" W x 22-1/4" H
- Low visibility ANSI approved glass safety screen.
- Wall Mounted GreenSmart™ Remote Control.
- Split-Flow Dancing-Fyre™ burner with high definition logs and embers for realistic flame.
- 8" top or rear vent installation options.
- Accent Lights
- Twin 90 CFM Convection Fans

Additional Options:

- Power Heat Duct Kit
- 2" Trim Kit
- Adjustable Tile Trim Kit

Heating Capacity: up to 1,400 sq. ft. BTU/Hr. Input Range : 10,000 (NG) 8,000 (LP) to 31,000 (NG/LP) Steady State Efficiency (On High): Up to 80.38% (NG), 81.21% (LP) EnerGuide P4 Efficiency 68.36% (NG) 67.79% (LP)

Optional Decorative Fireback Designs

Personalize the inside of your fireplace with one of our many fireback options or leave it standard with the Black Painted Fireback.



Reversible Common Brick/Herringbone Brick



Handmade Brick



Reversible Diamond Mosaic/Old World Stucco



Ledgestone



Black Enamel

Optional Cast Iron Andirons

Make your fireplace even more authentic with one of our classic cast iron andiron sets.



Arabesque



Wrought Iron

4237 Clean Face™ Gas Fireplace



4237 Clean Face™ GreenSmart™ with Remote

We invite you to unwind and relax in front of the warmth and grand charm of our 4237 gas fireplace. The generous viewing area, 42" wide by 37" tall, leads the eyes toward an enchanting fire framed by a spectacular high definition log set. Concealed overhead lighting gently illuminates the interior to perfectly polish the presentation.

The real magic of the 4237 lies within its ability to express the appeal of an open masonry fireplace while embodying the performance and functionality of today's superior gas heating technology. FireplaceX® has created a large clean face design with no hearth, tremendous heating power, and money saving efficiency.

Features

- Ceramic Glass: 42" W x 37" H
- Low visibility ANSI approved glass safety screen.
- Wall Mounted GreenSmart™ Remote Control.
- Unique Film Cooling Technology allows for close mantel clearances
- Highly Detailed 10-piece Western Timber Log Set
- Two overhead Accent Lights
- Twin 130 CFM Fans

Additional Options:

- Power Heat Duct Kit - up to two

Heating Capacity: up to 3,000 sq. ft. BTU/Hr. Input Range : 32,089 (NG) 30,887 (LP) to 60,000 (NG/LP) Steady State Efficiency (On High): Up to 67.93% (NG), 69.44% (LP) EnerGuide P4 Efficiency 62.76% (NG) 63.87% (LP)

Optional Decorative Fireback Designs

Personalize the inside of your fireplace with one of our many fireback options or leave it standard with the Black Painted Fireback.



Handmade Brick

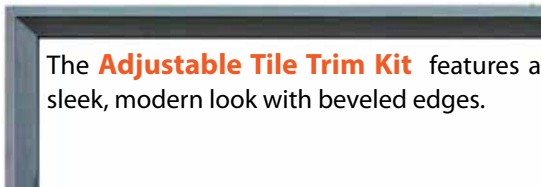


Ledgestone

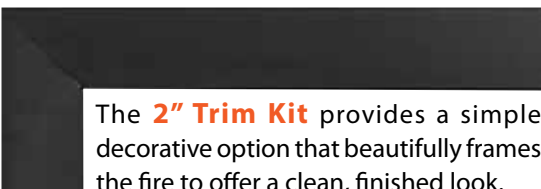


Black Enamel

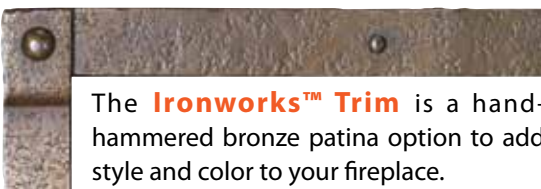
Trim Kits - All trims accommodate 1/2" - 1" facing thickness.



The **Adjustable Tile Trim Kit** features a sleek, modern look with beveled edges.



The **2" Trim Kit** provides a simple decorative option that beautifully frames the fire to offer a clean, finished look.



The **Ironworks™ Trim** is a hand-hammered bronze patina option to add style and color to your fireplace.

Ironworks™ Face

The Ironworks™ face is hand crafted by in-house blacksmiths through a labor intensive forging process. Shown with optional Lodge Ring Handle for Ironworks™ door.



Lodge Ring Andiron Set

Make your fireplace even more rustic with our classic 18" tall andiron set.



Traditional Fireplaces

FIREPLACE
FIREPLACE XTORDINAIR®



Decorative Face Options

Arched Faces

Classic Arch™ Face
Black Painted



564: 36-1/8" W x 29-1/16" H
864: 40-3/4" W x 35-1/2" H

French Country™ Face
Black Painted



564: 36-1/8" W x 29-1/16" H
864: 40-3/4" W x 35-1/2" H

Artisan™ Face
Charcoal Painted



564: 36-1/8" W x 29-1/16" H
864: 40-3/4" W x 35-1/2" H

Artisan™ Face
Bronze Patina



564: 36-1/8" W x 29-1/16" H
864: 40-3/4" W x 35-1/2" H

Rectangular Faces

Basic Grills
Black Painted



564: 36-1/4" W x 30-1/4" H
864: 41" W x 36-5/8" H

Basic Louvers
Black Painted



564: 36-1/4" W x 30-1/4" H
864: 41" W x 36-5/8" H

Metropolitan™ Face
Black Painted



564: 36-1/8" W x 29-1/16" H
864: 40-3/4" W x 35-1/2" H

Rectangular Double Door
Black Painted



564: 36-1/8" W x 29-1/16" H
864: 40-7/8" W x 35-5/8" H

Forged Collection™ Faces

Timberline™
Bronze Patina



564: 36-1/4" W x 30-1/4" H
864: 41" W x 36-5/8" H

Timberline™
Burnished Patina



564: 36-1/4" W x 30-1/4" H
864: 41" W x 36-5/8" H

IronWorks™ Face
Bronze Patina



564: 36-1/8" W x 29-1/16" H
864: 40-7/8" W x 35-5/8" H

IronWorks™ Face
Burnished Patina



564: 36-1/8" W x 29-1/16" H
864: 40-7/8" W x 35-5/8" H

Legacy™ Faces

Black Painted



564: 36-1/8" W x 29-1/16" H
864: 40-3/4" W x 35-1/2" H

Carbon Patina



564: 36-1/8" W x 29-1/16" H
864: 40-3/4" W x 35-1/2" H

Shadowbox™ Face

Shadowbox™ Face
Satin Black



Available for 564 Gas Fireplaces Only
564: 45-1/4" W x 32-1/4" H

Shadowbox™ Face
Brushed Nickel





Model 564 Space Saver is shown with Black Louvers and Herringbone Brick Fireback

For those looking for an economical face, we offer a simple, clean looking top and bottom **Grill Set** or **Louver Set**.

These two designs can be enhanced with the Studio Trim option that fits around the perimeter of the Grill or Louver Sets, framing the fire like a beautiful picture. The Studio Trim is available in Satin Black (564 series only) or Brushed Nickel and can be ordered in a three-piece set for hearth mount installations or four-piece set for wall mount installations. The Grill Set is available in black paint for both models.



Basic Grill Set shown with Studio Trim. Available in Satin Black or Brush Nickel.

Rectangular Double Door



Rectangular Double Doors on 564 HO Fireplace with Ember-Fyre® burner and logs and Old World Stucco fireback.

The **Rectangular Double Door** face features a simple, yet elegant design with clean lines and rectangular black painted double doors. When closed, these beautiful doors showcase a large fire view with a traditional fireplace feel, but they can also be opened to create the illusion of a much larger fireplace.

Face Dimensions: 564 Models: 36 1/8" W x 29 1/16" H, 864 Models: 40 7/8" W x 35 5/8" H



This living area features the Model 864 TRV with Black Painted Classic Arch™ face and the Common Brick fireback.

The original **Classic Arch™** face may be used with any FireplaceX® gas fireplace. The graceful arch opening that frames the fire viewing area is complemented by a parallel arch face. This combination of curves has a timeless appeal and universal application for a wide range of architectural styles. The beautiful parallel arch appearance and fine detail of this fireplace has become a unique, trademarked characteristic of FireplaceX®, the original arched fireplace.

14 **Face Dimensions:** 564 **Models:** 36 1/8" W x 29 1/16" H, **864 Models:** 40 7/8" W x 35 5/8" H

Arched Collection - French Country™



This dining area features the Model 864 HO with Ember-Fyre® burner and Black Painted French Country™ face and the Black Enamel fireback.

The **French Country™** Arch face is a design that combines cottage style with a formal flare. The combination of the engraved floral garland and the detail of the scalloped rings fits well into a country home or elegant, historic chateau. The French Country face embodies a timeless charm that will warm the hearth of any home.

Face Dimensions: 564 Models: 36 1/8" W x 29 1/16" H, **864 Models:** 40 7/8" W x 35 5/8" H



SEE VIDEO
the process in action!



Web address:
vimeo.com/144929388



Custom Hand-Forged Design

Each **IronWorks™**, **Timberline™** and **Artisan™** face is hand crafted by in-house blacksmiths through a skillful and labor intensive metal forging process. From start to finish this process requires focus, stamina and an artful eye. Every individual piece of metal is heated in a forge at extremely high temperatures, hand-hammered and worked multiple times to complete an authentic finished product with textured surfaces, beveled edges and incredible attention to detail. Your face is an individual custom work of art that bears unique, subtle characteristics from the hands of its creator.

Two Hand-Finished Patina Options

The **IronWorks™**, **Timberline™** and **Artisan™** faces feature the Vesta award-winning patina finish. The IronWorks™ and Timberline™ come in your choice of Bronze Patina or Burnished Patina. The Artisan™ is available in Bronze Patina or Charcoal Paint. These stunning patina finishes are hand-applied by skilled artisans on each individual face through an exclusive multi-step process. The hand-rubbed process drives layers of rich textures and colors into the metal, creating a unique, elegant look that imparts subtleties with no two finishes exactly alike. Both the Bronze Patina and Burnished Patina finishes are "living colors" which will mature and deepen over time.

Bronze Patina

The Bronze Patina finish features warm undertones that are absorbed deep into the metal, giving it the luster and beauty of an oil-rubbed bronze art piece.



Burnished Patina

The Burnished Patina finish offers a timeless look that resembles worn, aged steel with beautiful textures that create subtle high and low lights.





864 HO shown with Ember-Fyre® burner, Bronze Patina IronWorks™ face, Lodge Ring Handle, and the Old World Stucco fireback.

The **IronWorks™** face features a custom, old world design with hammered, textured surfaces, fine detailing and elegant double doors. The doors are finished on the inside and out to maximize the beauty of the fire whether they are open or closed. Add the Lodge Ring handle to compliment and enhance this timeless design.

18 **Face Dimensions: 564 Models:** 36 1/8" W x 29 1/16" H, **864 Models:** 40 7/8" W x 35 5/8" H

Forged Collection - Timberline™ Face



564 HO shown with Ember-Fyre® burner, and logs, Burnished Patina Timberline™ face and the Black Enamel fireback.

The **Timberline™** face features a bold, open face design with hand beveled edges and a striking hand-hammered border that provides a stunning accent to the fire. Intricate styling and superb attention to detail give this face a custom look.

Face Dimensions: 564 Models: 36 1/8" W x 29 1/16" H, **864 Models:** 40 7/8" W x 35 5/8" H



864 HO shown with the Artisan Charcoal face and Ledgestone fireback.

The **Artisan™** fireplace face design and craftsmanship are reminiscent of the iron work in the Great Lodges of Europe and America. The face features a wrought iron window detail of chiseled and twisted steel framing the soft curve of a large glass viewing area.

20 **Face Dimensions: 564 Models:** 36 1/8" W x 29 1/16" H, **864 Models:** 40 3/4" W x 35 1/2" H



This Arts & Crafts library features the Artisan face in Bronze Patina on a Model 864 TRV fireplace with Common Brick Fireback.



This living room features the Model 564 HO with Diamond-Fyre™ burner, Legacy™ Carbon Patina face, Fyre-Stone™ Rock Kit and Black Painted fireback.

The **Legacy™** face features classic, elegant styling with an arched opening and intricate vertical lines that beautifully frame the fire. The clean, timeless look of this face highlights both contemporary and traditional details into one cohesive design that complements a wide range of styles and will become a focal point in any home. The Legacy™ face is available in your choice of a soft, subtle Black Painted finish or a rich Hand-Rubbed Carbon Patina finish with lustrous undertones.

22 **Face Dimensions:** **564 Models:** 36 1/8" W x 29 1/16" H **864 Models:** 40 3/4" W x 35 1/2" H



This sitting room features the Legacy™ Black Painted face on a Model 864 TRV fireplace with Handmade Brick fireback.



Model 564 HO shown with Black Painted Metropolitan™ face, Ember-Fyre® Burner and Handmade Brick fireback.

The **Metropolitan™** face design features the same beautiful grillwork as the Classic Arch™ Face, but in a linear, retro style. The beveled edges of the Metropolitan face design also create an intriguing appearance.

24 Face Dimensions: 564 Models: 36 1/8" W x 29 1/16" H, **864 Models:** 40 3/4" W x 35 1/2" H

564 Shadowbox™ Face



Model 564 HO is shown with Diamond-Fyre™ burner, Brushed Nickel Shadowbox™ Face, Fyre-Stone™ Rock Kit and Black Enamel Fireback.

The **Shadowbox™** face, available for the 564 family of fireplaces, projects 3 1/2" out from your fireplace facing in multiple levels creating a frame for the delightful fire. Concealed convection openings and controls give the fireplace a linear, contemporary appeal. The face is available with a subtle reverse bevel in either bold Brushed Nickel or sleek Brushed Satin Black.

Face Dimensions: 564 Models: 45 1/4" W x 32 1/4" H



Shadowbox Face shown in Brushed Satin Black Finish

Bed & Breakfast™ Gas Fireplace



SEE VIDEO
of this product burning



Web address:
vimeo.com/32102551

Bed & Breakfast™ GreenSmart™ with Remote

The name Bed & Breakfast™ suggests intimacy and coziness; this gas fireplace embodies these very ideals. The Bed & Breakfast™ is designed for corner, flat wall or limited space installations in small intimate settings such as bedrooms, baths and kitchens. The "Portrait" design of the fireplace offers high heat transfer, neo-ceramic glass and a generous fire viewing area (303 sq. in.). With the award winning Ember-Fyre™ burner and high definition log set, the Bed & Breakfast™ fireplace gives you the ability to add a beautiful gas fireplace virtually anywhere in your home. Enjoy the flexibility of the Comfort Control™ which allows you to turn the flame down 70%. For maximum heat turn on the quiet 90 CFM blower to circulate heated air throughout the room.

Use your fireplace year-round, by using the standard Accent Light. The Accent Light adds warm, dramatic highlights to the logs and optional liners, and can be used when the fire is on or off. This fireplace includes the GreenSmart™ Remote for the ultimate in convenience and efficiency.

Heating Capacity:
up to 650 sq. ft.

BTU/Hr. Input Range :
6,000 (NG) 5,000 (LP) to 16,500 (NG/LP)

Steady State Efficiency (On High):
Up to 77.94% (NG), 81.71% (LP)

EnerGuide P4 Efficiency
65.21% (NG) 68.97% (LP)

Face Choices

Choose from one of four hand crafted exterior looks. Faces measure 21-1/8" w x 35-7/8" h. Glass measure 16-1/2" w x 21-1/4" h.



Black Painted
Classic Arch™ Face



Black Painted French
Country™ Arched Face



Charcoal Painted
Artisan™ Face



Bronze Patina
Artisan™ Face

Optional Liners

The Bed & Breakfast™ comes standard with a black painted interior or upgrade your fire with a beautiful interior liner.



Brick Beehive



Tumbled Travertine Stone

564 Space Saver™ Gas Fireplace



SEE VIDEO
of this product burning



Web address:
vimeo.com/17605037

564 Space Saver™ GreenSmart™

The 564 Space Saver™ is designed to provide comfortable heat for the smaller rooms in your home. With its consistent, radiant and convective heat, and reduced dimensions, this fireplace is ideal for zone heating in bedrooms, dens and intimate spaces that do not require a great deal of heat.

The realistic flame along with the heat output can be easily adjusted with our Comfort Control™. This switch allows you to turn the back burner off while maintaining the front fire and glowing embers, giving the fireplace the ability to be utilized even on warmer spring or fall days.

The 564 Space Saver™ can be personalized for your home. Choose from something as simple as the basic grill or one of many different upgrade face options in various textures and designs. An optional 180 CFM fan increases movement of heated air around the firebox, maximizing heat transfer and performance.

Features

- Tempered glass: 30" W x 16-3/4" H
- Low visibility ANSI approved glass safety screen.
- Split-flow Dancing-Fyre™ burner with high definition logs and embers for realistic flame.
- 8" Top and rear vent option.
- Accent Lights

Additional Options:

- Wall Thermostat
- Basic Remote Control
- GreenSmart™ Remote Control NG & LP
- On/Off Timer
- 180 CFM Convection Fan

Heating Capacity:
up to 950 sq. ft.

BTU/Hr. Input Range :
5,100 (NG) 4,200 (LP) on High
20,500 on Low (NG/LP)

Steady State Efficiency (On High)
Up to 81.09% (NG), 84.06% (LP)

EnerGuide P4 Efficiency
67.7% (NG) 70.11% (LP)

Optional Decorative Fireback Designs

Personalize the inside of your fireplace with one of our many fireback options.



Reversible Common Brick/Herringbone Brick



Handmade Brick



Reversible Diamond Mosaic/Old World Stucco



LedgeStone



Black Enamel

Optional Cast Iron Andirons

Make your fireplace even more authentic with one of our classic cast iron andiron sets.



Lodge Ring

Traditional Ring



564 High Output™ Gas Fireplace



SEE VIDEO
of this product burning



Web address:
vimeo.com/17605037

This bedroom features the 564 HO with Ember-Fyre® burner and logs, IronWorks™ face, Lodge Ring handle and Old World Stucco fireback.

564 High Output™ GreenSmart™ with Remote

The 564 High Output™ GreenSmart™ fireplace offers the same viewing area of the Space Saver™ fireplace, but with high heat transfer neo-ceramic glass, the choice of three burners and a larger heating capacity- up to 1,700 square feet. With a 35,000 BTU input and standard fans this fireplace delivers the heat! This high output fireplace uses “film cooling” technology allowing for close clearances to combustibles, letting you install the mantel close to the fireplace in a traditional location. For added convenience the 564 High Output™ includes the GreenSmart™ Remote Control. You can heat your family's main living area or duct up to 25% of the heat to adjoining room(s) 20 feet away using the optional Power Heat Duct Kit.

Heating Capacity: up to 1,400 sq. ft.	BTU/Hr. Input Range : 10,400 (NG) 7,500 (LP) to 35,000 (NG/LP)	Steady State Efficiency (On High): Up to 78.1% (NG), 79.69% (LP)	EnerGuide P4 Efficiency 64.18% (NG) 66.02% (LP)
--	---	---	--

Interiors - Pick The Look That You Like!

Ember-Fyre™

The Award-Winning Ember-Fyre® burner comes standard with a seven piece high definition log set and grate. This burner allows for a choice of 7 different fireback designs.

Diamond-Fyre™

The contemporary Diamond-Fyre™ burner offers the choice of Fyre-Stone™ Rock Kit or Driftwood Fire Art™ instead of the traditional log set. You have the choice of Black Painted, Stainless Steel or a Black Enamel Fireback to complete the look.

Dancing-Fyre™

The classic Dancing-Fyre™ burner comes standard with a five piece high definition log set, grate and the black painted fireback.



Ember-Fyre™ Log Set



Fyre-Stone™ Rock Kit



Driftwood Fire Art™



Classic Log Set

Decorative Fireback Designs - Required

Personalize the inside of your fireplace with one of our many fireback options or leave it standard with the Black Painted Fireback.



Reversible Common Brick/Herringbone Brick



Handmade Brick



Reversible Diamond Mosaic/Old World Stucco



Ledgestone



Black Enamel

Optional Cast Iron Andirons

Make your fireplace even more authentic with one of our classic cast iron andiron sets.



Lodge Ring



Traditional Ring

864 TRV™ Gas Fireplace



SEE VIDEO
of this product burning



Web address:
vimeo.com/17605715

This covered outdoor room features the 864 TRV with the Charcoal Painted Artisan™ face and Common Brick fireback.

864 TRV - Top/Rear Vent GreenSmart™

The 864 TRV is the perfect choice for anyone looking to display a big, beautiful fire without the need to heat a large area. This fireplace offers the ultimate heating flexibility, allowing you to control the heat output to a comfortable setting that is just right for you. The 864 TRV can provide great supplemental heat to your home on those cold winter nights or use the Comfort Control™ to turn the heat down and create a romantic, relaxing fireside for those warmer nights. The 864 TRV fireplace features a beautiful high definition log set and glowing embers and is enhanced further with rear accent lights that add a warming glow to the interior of the fireplace, even when the fire is off. The 864 TRV truly is a fireplace that can be used 365 days a year.

An optional 180 CFM fan can be added to increase the movement of heated air around the firebox, maximizing heat transfer and performance.

Features

- Tempered glass: 34-1/2" W x 22-1/4" H
- Safety screen over the glass.
- Split-Flow Dancing-Fyre™ burner with high definition logs and embers for realistic flame.
- 8" top or rear vent options.
- Accent Lights

Additional Options:

- Wall Thermostat
- Basic Remote
- GreenSmart™ Remote Control NG & LP
- On/Off Timer
- 180 CFM Convection Fan
- Power Heat Duct Kit

Heating Capacity: up to 1,400 sq. ft.	BTU/Hr. Input Range : 10,000 (NG) 8,000 (LP) to 31,000 (NG/LP)	Steady State Efficiency (On High): Up to 80.38% (NG), 81.21% (LP)	EnerGuide P4 Efficiency 68.36% (NG) 67.79% (LP)
--	---	--	--

Optional Decorative Fireback Designs

Personalize the inside of your fireplace with one of our many fireback options or leave it standard with the Black Painted Fireback.



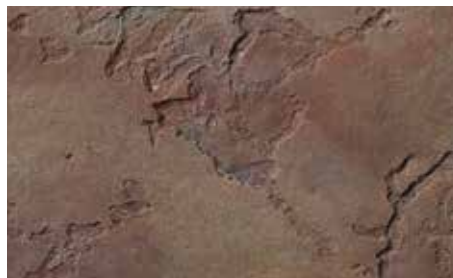
Reversible Common Brick/Herringbone Brick



Handmade Brick



Reversible Diamond Mosaic/Old World Stucco



LedgeStone



Black Enamel

Optional Cast Iron Andirons

Make your fireplace even more authentic with one of our classic cast iron andiron sets.



Arabesque



Wrought Iron

864 High Output™ Gas Fireplace



SEE VIDEO
of this product burning



Web address:
vimeo.com/14197621

864 High Output™ GreenSmart™ with Remote

The 864 High Output™ GreenSmart™ fireplace offers the same viewing area as the 864 TRV fireplace, and is designed to heat a larger area - up to 2,500 square feet. The Award-Winning Ember-Fyre™ burner comes standard with a seven piece high definition log set and grate. With a 46,700 BTU input, high-heat transfer neo-ceramic glass and fan, all standard, this fireplace delivers the heat! This high output fireplace uses “film cooling” technology allowing for close clearances to combustibles, letting you install the mantel close to the fireplace in a traditional location. For ease of operation and convenience the 864 High Output™ fireplace includes the GreenSmart™ Remote Control. You can heat your family’s main living area or duct up to 50% of the heat to adjoining room(s) 20 feet away using the optional Power Heat Duct Kit; one or two kits can be used.

Features

- NeoCeramic glass: 34-1/2" W x 22-1/4" H
- Split-Flow Ember-Fyre™ burner with high definition logs and embers for realistic flame.
- Low visibility ANSI approved glass safety screen.
- Fully loaded GreenSmart™ system, including the Wall Mounted GreenSmart™ Remote Control.
- 8" top or rear vent installation options.
- Accent Lights
- Two 90 CFM Convection Fans.

Additional Options:

- Wall Thermostat
- On/Off Timer
- Power Heat Duct Kit - up to two can be used
- Convection Fan 180 CFM

Heating Capacity: up to 2,500 sq. ft.	BTU/Hr. Input Range : 12,500 (NG) 9,000 (LP) to 46,700 (NG/LP)	Steady State Efficiency (On High): Up to 82.13% (NG), 83.25% (LP)	EnerGuide P4 Efficiency 71.57% (NG) 72.22% (LP)
--	---	--	--

Decorative Fireback Designs - Required

Personalize the inside of your fireplace with one of our many fireback options or leave it standard with the Black Painted Fireback.



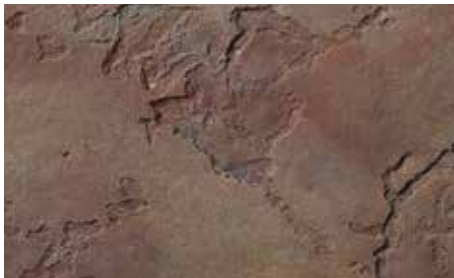
Reversible Common Brick/Herringbone Brick



Handmade Brick



Reversible Diamond Mosaic/Old World Stucco



LedgeStone



Black Enamel

Optional Cast Iron Andirons

Make your fireplace even more authentic with one of our classic cast iron andiron sets.



Arabesque



Wrought Iron

864 See-Thru™ Gas Fireplace



SEE VIDEO
of this product burning



Web address:
vimeo.com/23510464

864 See-Thru GreenSmart™

The 864 See-Thru depicts tranquility with a perfect balance between its firebox, logs and flames. The logs and fire have been carefully designed to offer a different look from either side. While convection air moves to both sides of the fireplace to evenly distribute the heat. Compare the amazing high definition, nine piece log set with any other see-thru fireplace on the market! The 864 See-Thru fireplace will give you a warm, yellow fire with glowing embers that your friends and family will have a hard time telling apart from a real wood fire.

A Fireplace With Two Points of View

With two sides to the 864 See-Thru Fireplace you have the ability to personalize each room using a different face on either side of the fireplace. Choose from the Basic Grill Set in black or pick one of the beautiful upgradable faces in a wide variety of finishes and designs.

Features

- Tempered glass: 34-1/2" W x 22-1/4" H each side
- Low visibility ANSI approved glass safety screen.
- Split-flow Dancing-Fyre™ burner for realistic flame.
- 9 piece log set - different look from either side.
- 8" top or side vent options.
- Accent Lights
- No hearth required.

Additional Options:

- Wall Thermostat
- Basic Remote
- GreenSmart™ Remote NG & LP
- On/Off Timer
- Power Heat Duct Kit
- Convection Fan 180 CFM

Heating Capacity: up to 1,500 sq. ft.	BTU/Hr. Input Range : 14,700 (NG) 8,000 (LP) to 37,500 (NG/LP)	Steady State Efficiency (On High): Up to 83.07% (NG), 85.92% (LP)	EnerGuide P4 Efficiency 70.77% (NG) 70.71% (LP)
--	---	--	--

Optional Decorative Firebacks

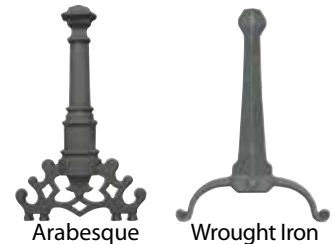
Personalize the inside of your fireplace with one of our many fireback options or leave it standard with the Black Painted Fireback.



Reversible Common Brick/Herringbone Brick

Optional Cast Iron Andirons

Make a dramatic statement with a pair of our beautiful optional cast iron andirons.



Arabesque

Wrought Iron



Stainless Steel

Finish will patina with age.



Black Enamel

All fireplaces come standard with these great GreenSmart™ features: Comfort Control™

The Comfort Control™ switch operates the split-flow burner system which is standard on all models except the 4237 Gas Fireplace. Push the button to OFF and your Comfort Control™ will turn off the rear burner while leaving the front burner on for an attractive flame appearance when less heat is desired. This feature offers a turn-down ratio of up to 75 percent. Push the button to ON and the rear burner will light, giving you maximum heat when you need it. This offers you the most beautiful fire and more heating flexibility than any other product keeping you comfortable year round.

Accent Lights

Accent Light(s) are a standard feature in all FireplaceX® fireplaces. This feature adds a warm glow to the interior of the firebox and can be used when the fire is on or off. Perfect as a night light or soft indirect light for the room, the Accent Light allows visual enhancement of your appliance 365 days a year.



Accent Light Off



Accent Light On

Multi-Function Wireless Thermostat Remote Control

(Optional on 564 SS, 864 TRV & 864 ST)

Functions of the Remote:

- Thermostat
- Flame Adjustment
- Fan Operation
- Accent Light Control
- Comfort Control™
- GreenSmart™ /CPI Pilots



Choice of Pilot Modes

Easily Switch Between Pilot Modes:

GreenSmart™ - Use in Summer or milder heating days to reduce gas consumption from the Pilot.

CPI - Continuous Pilot - Keeps the Pilot on at all times. This warms the vent system to maintain a strong draft in your chimney and reduce moisture condensation on the glass. Used in Fall/Winter or in cold climate areas.

Control Settings



Flame Adjustment

Adjust the height/heat of the flame as you desire. 6 levels of flame height to choose from. Not used while in Smart Thermostat setting.



Accent Lights

Create a warm glow to highlight the fireplace interior. Use year round to add ambiance. 6 levels to choose from.



Convection Fans

Circulate room air around the firebox and delivers heated air into your home. 6 speeds to choose from.



Comfort Control™

Turn off the back burner which lowers the BTU input. This allows you to burn less gas on milder days when you want to enjoy a fire and not over heat your living area.



Manual Setting

ON/OFF, Fire and Fan stay where you manually set it.

Thermostat Setting

Fireplace turns ON or OFF to maintain your desired home/room temperature.

Smart Thermostat Setting

Fire height will adjust automatically (up, down or OFF) to better maintain your temperature setting. A greener way to heat.



Use your smart phone or iPad™ to watch a video of how this GreenSmart™ remote works.

Choice of Logs & Burners



Dancing-Fyre™ Burner:

The Dancing-Fyre™ is found in our 564 Space Saver™, 564 Clean Face™, 864 TRV, 864 Clean Face™, 864 See Thru, and 4237 Clean Face, fireplaces and as an option on the 564 High Output™ models. These models feature high definition log sets offering a beautiful dancing fire and glowing ember effect.

Ember-Fyre™ Burner:

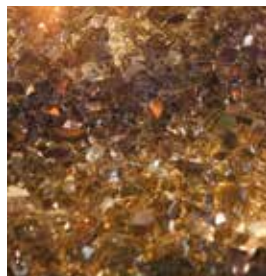
The Award-Winning Ember-Fyre™ burner is found in the Bed & Breakfast, and 864 High Output models and as an option on the 564 High Output model. The Ember-Fyre™ is known for its gorgeous, dancing yellow-flames flickering around a high definition log set and glowing embers for the most realistic “wood-like” fire available.

564 High Output Diamond-Fyre™:

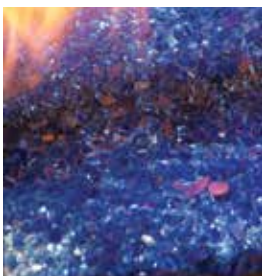
The Diamond-Fyre™ Burner is an option in the 564 High Output Fireplace. This burner features under-lit glass and is available with either the Fyre-Stone™ Rock Kit or the Driftwood Fire Art™ for a beautiful, eclectic blend of media.



Platinum Glass Media



Bronze Glass Media



Cobalt Glass Media

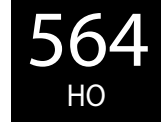
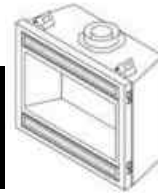


Reflective Black Glass Media



GreenSmart™ Fireplaces

The dimensions and clearances on this page are for reference only! Refer to the Owner's Manual prior to installation
 *Ember-Fyre™ Protected By U.S. Patent #6,602,068, #6,443,726 and other patents pending.



Height (including standoffs)	35-7/8"	33-1/4" (SS), 36-1/4" (CF)	36-1/4"
Width	20-1/8" Front	36-1/4"(SS) 38-1/4 (CF)	36-1/4"
Depth	13 5/8" Top Vent, 12 3/8" Rear Vent	16-3/4" (SS), 18-5/8" (CF)	18-1/4"
Flue Diameter	8"	8"	8"
Unit Weight	95 lbs.	155 lbs.	165 lbs.
Burner System	Ember-Fyre™*	Dancing-Fyre™	Ember-Fyre™, Dancing-Fyre™, Diamond-Fyre™
Glass Area (will vary with face design)	17-5/8" W x 23-1/4" H	30" W x 16-3/4" H.	30" W x 16-3/4" H.
Powerful Fan	YES - 90 CFM (Standard)	YES -180 CFM (Optional on SS, Standard on CF)	YES - 180 CFM (Standard)
Power Duct Option	NO	NO	YES (two)

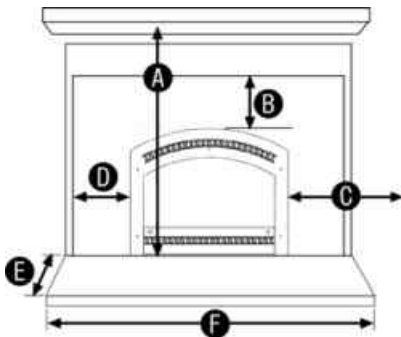
*Gas appliance performance can be affected by negative pressure in the home and by prevailing atmospheric conditions. Efficiency may

Heating Capacity*	Up to 650 Sq. Ft.	Up to 950 Sq. Ft.	Up to 1,700 Sq. Ft.
BTU Input High/Output Low (NG)*	16,500 - 6,000 (64% Turndown)	20,500 - 5,100 (75% Turndown)	35,000 - 10,400 (71% Turndown)
BTU Input High/Output Low (LP)*	16,500 - 5,000 (70% Turndown)	20,500 - 4,200 (80% Turndown)	35,000 - 7,500 (79% Turndown)
Canada EnerGuide P4 Efficiency**	65.2% (NG) 68.97% (LP)	67.7% (NG) 70.11% (LP)	64.18% (NG) 66.02% (LP)
Steady State Efficiency (High) ***	77.94% (NG) 81.71% (LP)	81.09% (NG) 84.06% (LP)	78.1% (NG) 79.69% (LP)
AFUE (Annual Fuel Utilization Efficiency)	72.5% (NG) 72.7% (LP)	73.3% (NG) 73.4% (LP)	67.2% (NG) 65.7% (LP)

*Heating Capacity will vary with floor plan and ceiling height, insulation and outside ambient temperature.

** P4 Efficiency has been determined using CSA P4.1-02 *** Your results may vary depending on your vent configuration.

Always consult the Owner's Manual before beginning any installation. Installation and framing



All Measurements taken from fireplace face.

- A= To Mantel
- B= To Top Facing
- C= To Sidewall
- D= To Side Facing
- E= Front Hearth
- F= Hearth Width

The Bed & Breakfast fireplace requires a 1" minimum clearance from face to sidewall. Combustibles can be installed up to the standoffs on the unit. If a mantel is used please see Owner's Manual for minimum clearances.

The height of the Bed & Breakfast fireplace enclosure must be a minimum of 48-3/4" above the base of the fireplace.

If placed on a raised hearth, the ceiling above the Bed & Breakfast must be at least 57" measured from the base of the fireplace.

MINIMUM FRAMING HEIGHT

Height	34-1/4"
Width	20-1/4"
Depth	12-3/8" RV 13-5/8" TV

A = 35-3/4" (SS)* 36-1/4" (CF)*
 (measured from base of fireplace)

B = 0"

C = 1"

D = 0"

E = None Required

F = None Required

*0" to 12" maximum mantel depth. See Owner's manual for details

MINIMUM FRAMING HEIGHT

Height	33-1/2" SS 36-3/4" CF
Width	36-1/2" SS 38-1/4" CF
Depth	17-1/4" SS 19-1/8" CF

A = 40-3/4" to 48-3/4"*
 (measured from base of fireplace)

B = 0"

C = 12"

D = 0"

E = None Required

F = None Required

*0" to 12" maximum mantel depth.

See Owner's manual for details

MINIMUM FRAMING HEIGHT

Height	36-3/4"
Width	36-1/2"
Depth	17-3/4"

TESTING & INSTALLATION INFORMATION

Tested and Listed by OMNI-Test Laboratories, Inc. and/or Intertek Testing Service to ANSI Z21.88b-2009 "Vented Gas-Fired Direct Fireplace Heater", CSA 2.33-2009, CGA 2.17-M91, UL 307b and CSA P4.1-09. Must be installed in accordance with all local codes, if any; if not, follow ANSI Z223.1 and requirements listed in the Owner's Manual.

The Diagrams, Dimensions and Specifications shown are subject to change without notice, consult the Installation Manual for complete details.

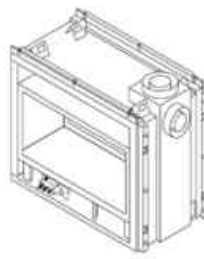
864
TRV & CF



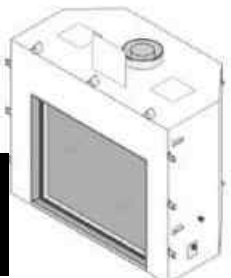
864
HO



864
ST



4237
CF



38-1/4" (TRV), 44-3/4" (CF)	47-3/4"	38-1/4"	53-3/4"
41" (TRV), 42-3/4" (CF)	41"	44"	59-1/4"
20-3/4", 22" (CF)	22-1/4"	27"	29-1/4"
8" Rear or 8" Top (Top can be reduced to 6 5/8")	8" Rear or 8" Top (Top can be reduced to 6")	8" (Top vent can be reduced to 6")	8"
205 lbs. (TRV) 205 lbs. (CF)	225 lbs.	310 lbs.	555 lbs.
Dancing-Fyre™	Ember-Fyre™	Dancing-Fyre™	Dancing-Fyre™
34-1/2" W x 22-1/4" H	34-1/2" W x 22-1/4" H	Each side 34-1/2" W x 22-1/4" H	Each side 42" W x 37" H
YES - 180 CFM (Optional on TRV, Standard on CF)	YES - 260 CFM (Standard)	YES - 130 CFM (Optional)	YES - Twin 130 CFM (Standard)
YES (One)	YES (Two)	YES (One)	YES (Two)

vary depending on vent configuration and atmospheric conditions. Contact local building or fire officials about restrictions and installation requirements in your area.

Up to 1,400 Sq. Ft.	Up to 2,500 Sq. Ft.	Up to 1,500 Sq. Ft.	Up to 3,000 Sq. Ft.
31,000 - 10,000 (68% Turndown)	46,700 - 12,500 (73% Turn Down)	37,500 - 14,700 (61% Turndown)	60,000 - 32,089 (% Turndown)
31,000 - 8,000 (75% Turndown)	46,700 - 9,000 (81% Turn Down)	37,500 - 10,000 (73% Turndown)	60,000 - 30,887 (% Turndown)
68.36% (NG) 67.79% (LP)	71.57% (NG) 72.2% (LP)	70.77% (NG) 70.71% (LP)	62.76% NG, 63.87% LP
80.38% (NG) 81.21% (LP)	82.13% (NG) 83.25% (LP)	83.07% (NG) 85.92% (LP)	67.93% NG, 69.44% LP
73.8% (NG) 73.5% (LP)	75.6% (NG) 75.7% (LP)	75.4% (NG) 72.9% (LP)	63.79% NG, 65.15% LP

information is available at your local FireplaceX® dealer or on our website at www.fireplacex.com

A = 40-3/4" to 48-3/4" TRV* 44-3/4" CF* (measured from base of fireplace)	A = 47-3/4" to 52-3/4"* (measured from base of fireplace)	A = 37-1/4"* (measured from base of fireplace)	A = 54"* (measured from base of fireplace)
B = 0"	B = 7 3/4"	B = 0"	B = 0"
C = 1"	C = 5"	C = 3-1/4" from glass frame	C = 0"
D = 0"	D = 0"	D = 2-1/8"	D = 5/8"
E = None Required	E = None Required	E = None Required	E = None Required
F = None Required	F = None Required	F = None Required	F = None Required
*Will vary depending mantel depth. 0" to 12" maximum mantel depth. See Owner's manual for details Note: Each face plate design varies in dim. MINIMUM FRAMING HEIGHT Height 38-1/2" TRV 44-3/4" CF Width 41-1/4" TRV 42-3/4" CF Depth 20-3/4" TRV 22" CF	*Will vary depending mantel depth. 0" to 12" maximum mantel depth. See Owner's manual for details Note: Each face plate design varies in dim. MINIMUM FRAMING HEIGHT Height 48" Width 41-1/4" Depth 22-3/4" TV 21-3/4" RV	*Will vary depending mantel depth. 0" to 12" maximum mantel depth. See Owner's manual for details Note: Each face plate design varies in dim. MINIMUM FRAMING HEIGHT Height 38-1/2" Width 44" Depth 26"	*Will vary depending mantel depth. 0" to 12" maximum mantel depth. See Owner's manual for details Note: Each face plate design varies in dim. MINIMUM FRAMING HEIGHT Height 53-3/4" Width 59-1/4" Depth 29-1/4" Flush, 28-3/4" Standard

NOTE: Improper installation of your gas appliance or failure to operate it in accordance to the guidelines detailed in the Owner's Manual may negate your warranty and endanger your home and family. Installation information is available on our website at www.fireplacex.com. We recommend all FireplaceX® appliances be installed, and maintained on an annual basis by your Specialty Hearth Retailer.

GreenSmart™ Fireplaces

FRAMING

Always consult the Owner's Manual before beginning any installation. Installation and framing information



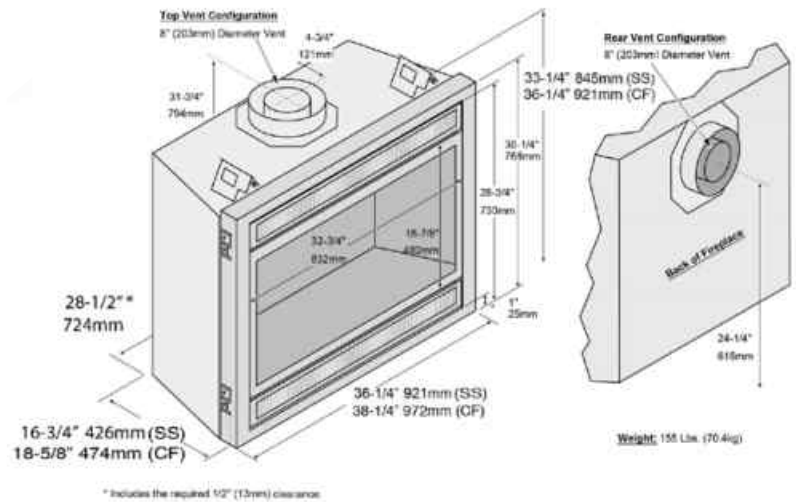
INSTALLATION FRAMING GUIDE FOR ALL GAS FIREPLACES

This framing guide is a basic reference. For a full installation and framing guide, scan the QR Code with your smart phone or tablet or refer to the Installation Manual.

Installation Manuals are available online at www.fireplace.com under the "Documents" tab for each model.

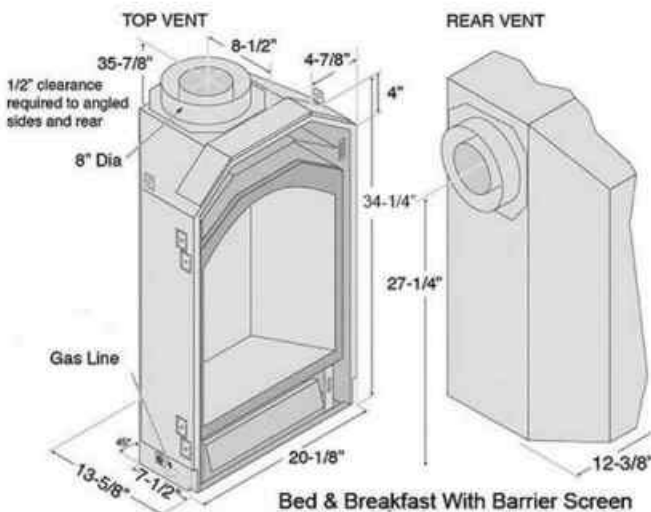
564
SS/CF

Front Width		Back Width	
Unit	Framing	Unit	Framing
36-1/4" (SS)	36-1/2" (SS)	28-1/2" (SS)	36-1/2" (SS)
38-1/4" (CF)	38-1/4" (CF)	28-5/8" (CF)	38-1/4" (CF)
Height		Depth	
Unit	Framing	Unit	Framing
33-1/4" (SS)	33-1/2" (SS)	16-3/4" (SS)	17 1/4" (SS)
36-1/4" (CF)	36-3/4" (CF)	18-5/8" (CF)	19-1/8" (CF)



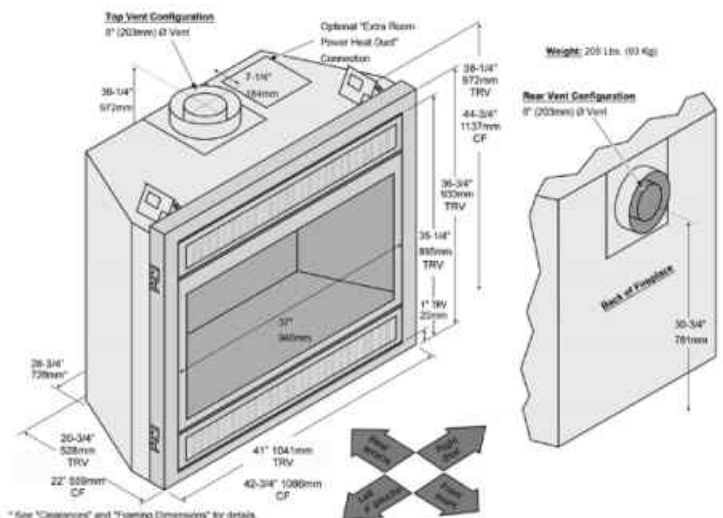
B&B
TRV

Front Width		Back Width	
Unit	Framing	Unit	Framing
20-1/8"	20-1/4"	10-3/8"	20-1/4"
Height		Depth	
Unit	Framing	Unit	Framing
34-1/8"	34-1/4"	13-5/8" (TV) 12-3/8" (RV)	14" (TV) 12-3/8" (RV)



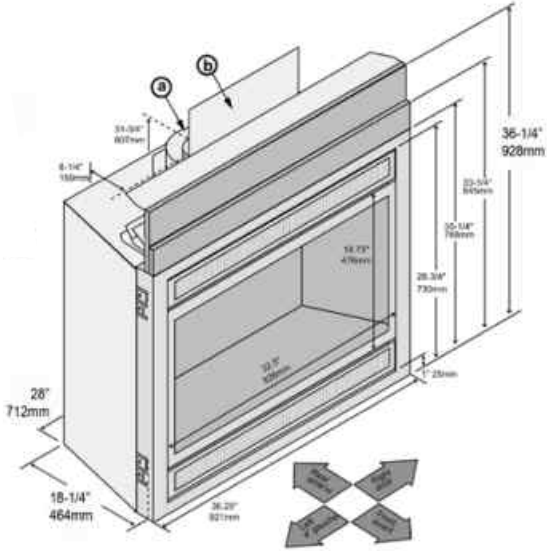
864
TRV/CF

Front Width		Back Width	
Unit	Framing	Unit	Framing
41" (TRV)	41-1/4" (TRV)	28-5/8" (TRV)	41-1/4" (TRV)
42-3/4" (CF)	42-3/4" (CF)	28-3/4" (CF)	42-3/4" (CF)
Height		Depth	
Unit	Framing	Unit	Framing
38-1/4" (TRV)	38-1/2" (TRV)	20-3/4" (TRV)	20-3/4" (TRV)
44-3/4" (CF)	44-3/4" (CF)	22" (CF)	22-1/2" (CF)



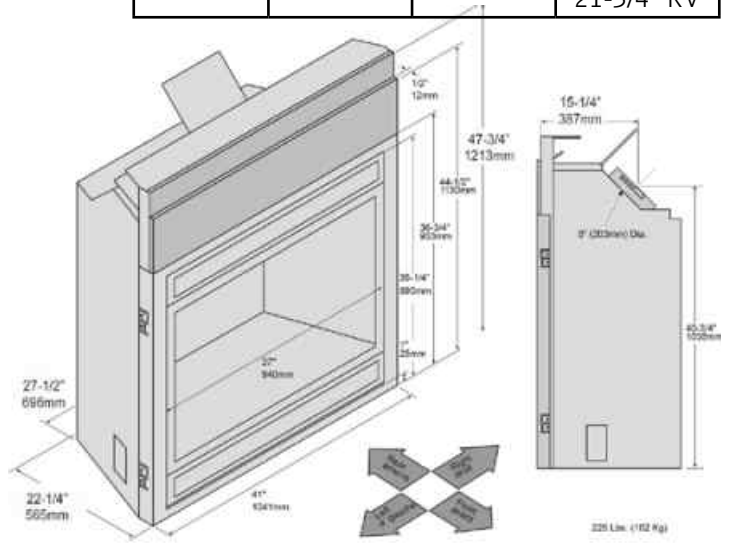
564
HO

Front Width		Back Width	
Unit	Framing	Unit	Framing
36-1/4"	36-1/2"	28"	36-1/2"
Height		Depth	
Unit	Framing	Unit	Framing
36-1/4"	36-3/4"	18-1/4"	17 3/4"



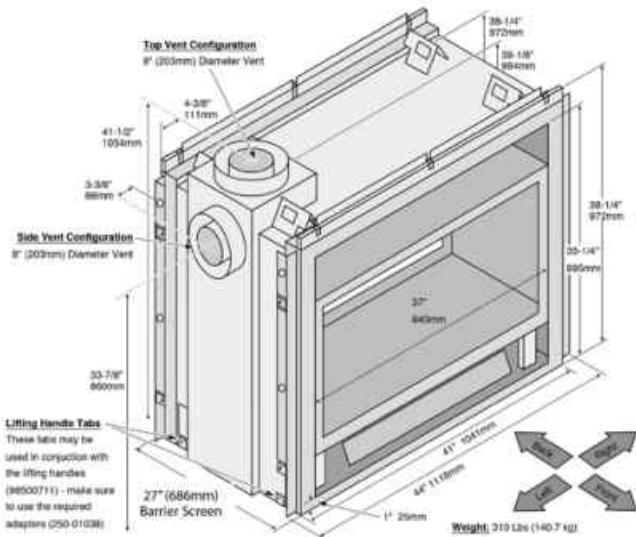
864
HO

Front Width		Back Width	
Unit	Framing	Unit	Framing
41"	41-1/4"	27-1/2"	41-1/4"
Height		Depth	
Unit	Framing	Unit	Framing
47-3/4"	48"	22-1/4"	22-3/4" TV 21-3/4" RV



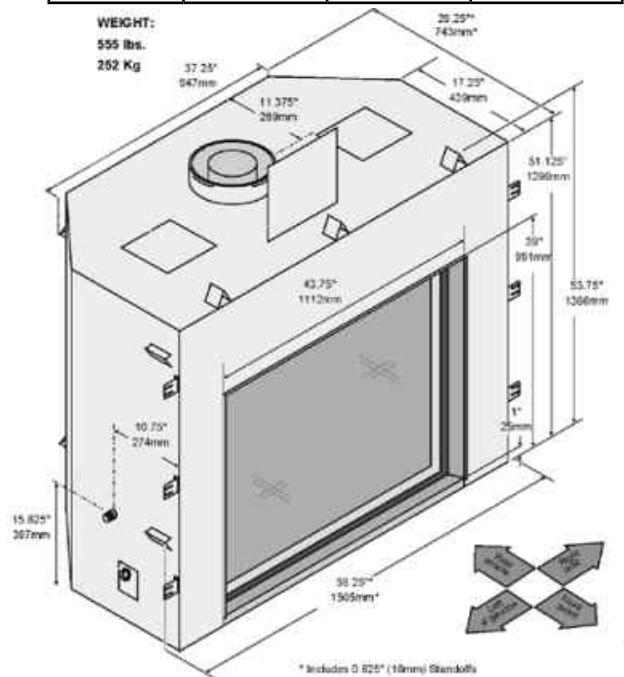
864
ST

Front Width		Back Width	
Unit	Framing	Unit	Framing
44"	44"	44"	44"
Height		Depth	
Unit	Framing	Unit	Framing
38-1/4"	38-1/2"	27"	26"



4237
CF

Front Width		Back Width	
Unit	Framing	Unit	Framing
59-1/4"	59-1/4"	37-1/4"	59-1/4"
Height		Depth	
Unit	Framing	Unit	Framing
53-3/4"	53-3/4"	29-1/4"	29-1/4" Flush 28-3/4" Std



Real World Warranty

Your gas fireplace is backed by a network of Specialty Hearth Dealers and certified factory trained installers. FireplaceX® warrants our products to be free from defects in material and workmanship for a period up to seven years from the date of purchase. All parts, electronics (except light bulbs), and labor are covered for a full two years. Trims and faces are covered for a period of two years. No other manufacturer's warranty can compare.

Add the Beauty of a FireplaceX® Gas Fireplace to Your Outdoor Living Space

Outdoor living rooms and entertainment spaces are among the most requested room additions found in new home construction and remodels. A fireplace is the perfect accompaniment to any outdoor living space, as it provides warmth and comfort on those cool nights, as well as creates a relaxing ambiance and fun gathering place.

All FireplaceX® gas fireplaces are approved for outdoor installation in a covered area. With our wide variety of fireplace styles, you'll be sure to find one that will complement your outdoor living space.

*Fireplace must be installed in a covered porch or protected by a roof overhang. Contact your local FireplaceX® dealer if you have any questions about installing an outdoor fireplace.



Vent Heat To Other Rooms With The Power Heat Duct Kit

The Power Heat Duct Kit is perfect for times when you want to enjoy the beauty and ambiance of your fireplace without all the heat. This optional feature gives you the ability to redirect up to 50%* of the heat from your fireplace into one or two additional rooms within 20 feet of the fireplace. This allows you to properly manage the heat output throughout your home so that you can maintain a comfortable temperature in your main living space without having to compromise the beauty of your fireplace.

* When using two kits.

FireplaceX® Fireplace Venting

FireplaceX® provides economical minimum 8" rear vent (horizontal termination) kits for all of our gas fireplaces. For the B&B, 564 SS, CF, and 864 TRV, CF and ST: Sku 98900168. Includes 3.9" pipe, high wind scone cap, and exterior filler plate. For 564 HO: Sku 96200329. Includes 6" pipe, 90 degree elbow, wall thimble and high wind scone cap. For 864 HO: Sku 96200316. Includes 6" pipe, 45 degree elbow, wall thimble and high wind scone cap.

Design Your Perfect Fire Online

Visit the www.fireplacex.com website. The FireplaceX® Fire Designer can help you customize your fireplace with an easy and fun website that helps you choose the right fireplace for the right space with the right look. You can even upload a photo of your room and overlay the fireplace of your choice to get a preview of your incredible new fire.



See our complete line of
fireplaces online: fireplacex.com