

# 21 TRV GSR2 Fireplace (w Screen) Installation Manual



## **⚠ WARNING: FIRE OR EXPLOSION HAZARD**

Failure to follow safety warnings exactly could result in serious injury, death, or property damage.

- Do not store or use gasoline or other flammable vapors and liquids in the vicinity of this or any other appliance.
- **WHAT TO DO IF YOU SMELL GAS**
  - Do not try to light any appliance.
  - Do not touch any electrical switch; do not use any phone in your building.
  - Leave the building immediately
  - Immediately call your gas supplier from a neighbor's phone. Follow the gas supplier's instructions.
  - If you cannot reach your gas supplier, call the fire department.
- Installation and service must be performed by a qualified installer, service agency or the gas supplier.



**HOT GLASS WILL CAUSE  
BURNS**

**DO NOT TOUCH GLASS  
UNTIL COOLED**

**NEVER ALLOW CHILDREN  
TO TOUCH GLASS**

**A barrier designed to reduce the risk of burns from the hot viewing glass is provided with this appliance and shall be installed for the protection of children and other at-risk individuals.**

Tested and Listed by



**Intertek**

ANSI Z21.88-2014

CSA 2.33-2014

- **Built-In Direct Vent  
Fireplace**
- **Natural Gas or Propane**
- **Residential or Mobile  
Home**

**This appliance may be installed in an aftermarket, permanently located, manufactured home (USA only) or mobile home, where not prohibited by local codes.**

**This appliance is only for use with the type of gas indicated on the rating plate. A conversion kit is supplied with the appliance.**

**INSTALLER: Leave this manual with the appliance.**

**CONSUMER: Retain this manual for future reference.**

**Overview**

This manual details the installation requirements for the 21 TRV GSR2 fireplace. For operating and maintenance instructions, refer to the 21 TRV GSR2 Owner's Manual.

**Listing Details**

This appliance was listed by Intertek Test Labs to ANSI Z21.88. The listing label is attached to the appliance near the gas control valve. A copy is shown to the right.

**Massachusetts Approval**


This manual has been submitted to the Massachusetts Board of State Examiners of Plumbers and Gas Fitters.

**National Fireplace Institute**



We suggest that our gas hearth products be installed and serviced by professionals who are certified in the U.S. by the National Fireplace Institute® (NFI) as NFI Gas Specialists.

www.nficerified.org

<p>Fireplace to Adjacent Wall Wood Floor, Beneath Fireplace Back and Angled Sides to Enclosure</p>	<p>1" (26mm) 0" (0mm) 0.5" (13mm)</p>	<p>Top and Sides to Enclosure Base of Fireplace to Mantel</p>	<p>0" (0mm) See Owner's Manual</p>															
<p>Minimum Clearances to Combustibles</p>																		
<p>FAN TYPE VENTED CIRCULATOR Blower Electrical Rating: 115V, 1.5 Amps, 60 Hz Part No. 99000163 fan or blower assembly may be used</p>																		
<p>Input Rate on "HI" (BTU/Hr) Input Rate on "LO" (BTU/Hr) Orifice Size - Front (DMS) Orifice Size - Rear (DMS)</p>	<p>LP 16,500 5,000 #67 #66</p>	<p>N.C. 16,500 6,000 #55 #55</p>	<p>LP 11" 13" 10" 3.5"</p>															
<p>This appliance is equipped for use only at altitudes 0-2,000 feet (0-610m) in the USA. In Canada, 0-4,500 feet (0-1370m). For altitudes above 2,000 feet, the vent configuration, orifice, or combination of both may need to be changed. See owner's manual for information on making these changes.</p>																		
<p>MANUFACTURE DATE:</p> <table border="0"> <tr> <td><input type="checkbox"/> 2014</td> <td><input type="checkbox"/> Jan.</td> <td><input type="checkbox"/> Apr.</td> <td><input type="checkbox"/> Jul.</td> <td><input type="checkbox"/> Oct.</td> </tr> <tr> <td><input type="checkbox"/> 2015</td> <td><input type="checkbox"/> Feb.</td> <td><input type="checkbox"/> May</td> <td><input type="checkbox"/> Aug.</td> <td><input type="checkbox"/> Nov.</td> </tr> <tr> <td><input type="checkbox"/> 2016</td> <td><input type="checkbox"/> Mar.</td> <td><input type="checkbox"/> Jun.</td> <td><input type="checkbox"/> Sep.</td> <td><input type="checkbox"/> Dec.</td> </tr> </table>		<input type="checkbox"/> 2014	<input type="checkbox"/> Jan.	<input type="checkbox"/> Apr.	<input type="checkbox"/> Jul.	<input type="checkbox"/> Oct.	<input type="checkbox"/> 2015	<input type="checkbox"/> Feb.	<input type="checkbox"/> May	<input type="checkbox"/> Aug.	<input type="checkbox"/> Nov.	<input type="checkbox"/> 2016	<input type="checkbox"/> Mar.	<input type="checkbox"/> Jun.	<input type="checkbox"/> Sep.	<input type="checkbox"/> Dec.	<p>Manufactured by:</p>  <p><b>TRAVIS INDUSTRIES</b> <b>HOUSE OF FIRE</b> 12521 Harbour Reach Drive Mukiteo, WA 98275 www.travisproducts.com</p>	
<input type="checkbox"/> 2014	<input type="checkbox"/> Jan.	<input type="checkbox"/> Apr.	<input type="checkbox"/> Jul.	<input type="checkbox"/> Oct.														
<input type="checkbox"/> 2015	<input type="checkbox"/> Feb.	<input type="checkbox"/> May	<input type="checkbox"/> Aug.	<input type="checkbox"/> Nov.														
<input type="checkbox"/> 2016	<input type="checkbox"/> Mar.	<input type="checkbox"/> Jun.	<input type="checkbox"/> Sep.	<input type="checkbox"/> Dec.														

WARNING: Failure to install this appliance per the manufacturer's instructions, or failure to use only parts specifically approved with this appliance may result in property damage or personal injury.

0929

**21 TRV GSR2**  
Vented Gas Fireplace Heater

Report No. 1014.2329/PR1-001  
Control No. 4000915

Tested to: ANSI Z21.88-2014/CSA 2.23-2014 "Vented Gas Fireplace Heater", CGA 2.17-M91 (R2009) "Gas Burning Heating Appliances for Manufactured Homes", and CSA P4.1-09 Testing method for measuring annual fireplace efficiency.

This appliance must be installed in accordance with local codes, if any; if none, follow the National Fuel Gas Code, ANSI Z223.1/NFPA 54, or Natural Gas and Propane Installation Codes, CSA B149.1.

This appliance must be installed in accordance with the current Standard CAN/CSA Z240 MH, Mobile Housing, in Canada or with the Manufactured Home Construction and Safety Standard, Title 24 CFR, Part 3280, in the United States, or when such a standard is not applicable, ANSINCBCS A225.1/NFPA 501A, Manufactured Home Installation Standard.

This vented gas fireplace heater is equipped at the factory for use with natural gas. If conversion to propane (LP) is desired, the optional factory conversion kit must be used. Part No. 250-02376 (ST) or 225-20231 & 225-20173 (PSE) register kit may be used.

This appliance is only for use with the type of gas indicated on the rating plate and may be installed in an aftermarket, permanently located, manufactured home (USA only) or mobile home, where not prohibited by local codes. See owner's manual for details. This appliance is not convertible for use with other gases, unless a certified kit is used.

This vented gas fireplace heater is not for use with air filters.

Keep burner and control compartment clean. See installation and operating instructions accompanying appliance.

This appliance must be properly connected to a venting system in accordance with the manufacturer's installation instructions. Use only approved coaxial direct vent system to vent this appliance to the exterior. See owner's manual for approved brands of venting.

If the vent-air intake system is disconnected for servicing or any other reason, it must be resealed and / or reinstalled.

WARNING: Improper installation, adjustment, alteration, service or maintenance can cause injury or property damage. Refer to the owner's information manual provided with this appliance. For assistance or additional information consult a qualified installer, service agency or the gas supplier.

**VENTED GAS FIREPLACE HEATER - NOT FOR USE WITH SOLID FUEL**

**CAUTION:** Do not operate this appliance with glass removed, cracked or broken. Replacement of the panel(s) should be done by a licensed or qualified service person.

## ***Table of Contents***

<b><u>OVERVIEW</u>.....</b>	<b><u>Optional Gas Line Location</u>.....</b>
<b><u>LISTING DETAILS</u>.....</b>	<b><u>Gas Line Location</u>.....</b>
<b><u>TABLE OF CONTENTS</u>.....</b>	<b><u>ELECTRICAL CONNECTION (REQUIRED)</u> 23</b>
<b><u>INSTALLATION OPTIONS</u>.....</b>	<b><u>VENT REQUIREMENTS</u>.....</b>
<b><u>HEATING SPECIFICATIONS</u>.....</b>	<u>Vent Clearances</u> .....
<b><u>DIMENSIONS</u>.....</b>	<u>Altitude Considerations</u> .....
<b><u>PACKING LIST</u>.....</b>	<u>Approved Vent</u> .....
<b><u>ADDITIONAL ITEMS REQUIRED</u>.....</b>	<u>Vent Installation</u> .....
<b><u>RECOMMENDED INSTALLATION</u></b>	<b><u>APPROVED VENT CONFIGURATIONS</u> ....</b>
<b><u>PROCEDURE</u>.....</b>	<u>Restrictor Position</u> .....
<b><u>INSTALLATION OVERVIEW – TOP VENT</u></b>	<u>Exhaust Restrictor Adjustment</u> .....
<b><u>CONFIGURATION</u>.....</b>	<u>Diffuser Plate Adjustment</u> .....
<b><u>INSTALLATION OVERVIEW – REAR VENT</u></b>	<b><u>TOP VENT CONFIGURATION WITH</u></b>
<b><u>CONFIGURATION</u>.....</b>	<b><u>HORIZONTAL TERMINATION</u>.....</b>
<b><u>MASSACHUSETTS REQUIREMENTS</u>.....</b>	<b><u>TOP VENT CONFIGURATION WITH</u></b>
<u>Requirements for the Commonwealth of</u>	<b><u>VERTICAL TERMINATION</u>.....</b>
<u>Massachusetts</u> .....	<b><u>REAR VENT CONFIGURATION WITH</u></b>
<u>MANUFACTURER REQUIREMENTS</u> .....	<b><u>HORIZONTAL TERMINATION</u>.....</b>
<b><u>TOP VENT OR REAR VENT</u></b>	<b><u>REAR VENT CONFIGURATION WITH</u></b>
<b><u>CONFIGURATION</u>.....</b>	<b><u>VERTICAL TERMINATION</u>.....</b>
<u>Converting the Fireplace to Rear Vent</u>	<b><u>MASONRY CHIMNEY CONVERSIONS</u>.....</b>
<u>Configuration</u> .....	<b><u>CLASS A CHIMNEY CONVERSION</u>.....</b>
<u>Converting the Fireplace to Rear Vent (continued)</u>	<b><u>TERMINATION REQUIREMENTS</u>.....</b>
<u>Converting the Fireplace to Rear Vent (continued)</u>	<b><u>HEARTH REQUIREMENTS</u>.....</b>
<b><u>FIREPLACE PLACEMENT REQUIREMENTS</u></b>	<b><u>FACING REQUIREMENTS</u>.....</b>
<u>Clearances</u> .....	<u>Face Dimensions</u> .....
<u>Raised Fireplaces</u> .....	<u>Facing Detail – Drywall (or other 1/2" thick facing)</u>
<u>Minimum Framing Dimensions - Top Vent</u>	<b><u>FACING DETAIL – TILE FACING</u>.....</b>
<u>Configuration</u> .....	<b><u>MANTEL REQUIREMENTS</u>.....</b>
<u>Minimum Framing Dimensions - Rear Vent</u>	<b><u>STEPS FOR FINALIZING THE</u></b>
<u>Configuration</u> .....	<b><u>INSTALLATION</u>.....</b>
<b><u>TELEVISIONS PLACED ABOVE THE</u></b>	<u>Air Shutter Adjustment</u> .....
<b><u>FIREPLACE</u>.....</b>	<b><u>BARRIER REMOVAL</u>.....</b>
<u>Using a Mantel Between the Fireplace and</u>	<b><u>GLASS FRAME REMOVAL AND</u></b>
<u>Television</u> .....	<b><u>INSTALLATION</u>.....</b>
<b><u>NAILING BRACKETS</u>.....</b>	<b><u>GLASS FRAME REMOVAL AND</u></b>
<b><u>CORNER INSTALLATIONS - TOP VENT</u></b>	<b><u>INSTALLATION (CONTINUED)</u>.....</b>
<b><u>CONFIGURATION</u>.....</b>	<b><u>LOG SET INSTALLATION</u>.....</b>
<b><u>CORNER INSTALLATIONS - REAR VENT</u></b>	<b><u>LP CONVERSION INSTRUCTIONS</u>.....</b>
<b><u>CONFIGURATION</u>.....</b>	<b><u>LINER INSTALLATION ADDENDA</u>.....</b>
<b><u>OUTDOOR FIREPLACE INSTALLATIONS</u></b>	<b><u>WIRING DIAGRAM</u>.....</b>
<b><u>GAS LINE REQUIREMENTS</u>.....</b>	<u>Index</u> .....
<u>Fuel</u> .....	
<u>Gas Line Connection</u> .....	
<u>Gas Inlet Pressure</u> .....	

## Safety Warnings

- Failure to follow all of the requirements may result in property damage, bodily injury, or even death.

**Young children should be carefully supervised when they are in the same room as the appliance. Toddlers, young children and others may be susceptible to accidental contact burns. A physical barrier is recommended if there are at risk individuals in the house. To restrict access to a fireplace or stove, install an adjustable safety gate to keep toddlers, young children and other at risk individuals out of the room and away from hot surfaces.**

**Children and adults should be alerted to the hazards of high surface temperature and should stay away to avoid burns or clothing ignition. Do not touch the hot surfaces of the heater. Educate all children of the danger of a high-temperature heater.**

**Due to the high temperature, the heater should be located out of traffic and away from furniture and draperies.**

- This unit must be installed by a qualified installer to prevent the possibility of an explosion.
- This appliance must be installed in accordance with all local codes, if any; if not, in U.S.A. follow ANSI Z223.1 and NFPA 54(88), in Canada follow CSA B149.1. In Australia follow AS/NZS 5601.1.
- A manufactured home (USA only) or mobile home OEM installation must conform with the Manufactured Home Construction and Safety Standard, Title 24 CFR, Part 3280, or, when such a standard is not applicable, the Standard for Manufactured Home Installations, ANSI/NCSCS A225.1, or Standard for Gas Equipped Recreational Vehicles and Mobile Housing, CSA Z240.4. This appliance may be installed in Manufactured Housing only after the home is site located.
- All exhaust gases must be vented outside the structure of the living-area. Combustion air is drawn from outside the living-area structure. The venting must not be connected to a chimney flue serving a separate solid-fuel burning appliance.
- Notify your insurance company before hooking up this fireplace.
- The instructions in this manual must be strictly adhered to. Do not use makeshift methods or compromise in the installation. Improper installation will void the warranty and safety listing.
- This heater is approved for use with natural gas (NG) or propane (LP). Burning the incorrect fuel will void the warranty and safety listing and may cause an extreme safety hazard. Direct questions about the type of fuel used to your dealer.
- Contact your local building officials to obtain a permit and information on any installation restrictions or inspection requirements in your area.
- If the flame becomes sooty, dark orange in color, or extremely tall, do not operate the heater. Call your dealer and arrange for proper servicing.
- It is imperative that control compartments, screens, or circulating air passageways of the heater be kept clean and free of obstructions. These areas provide the air necessary for safe operation.
- Do not operate the heater if it is not operating properly in any fashion or if you are uncertain. Call your dealer for a full explanation of your heater and what to expect.
- Do not store or use gasoline or other flammable liquids in the vicinity of this heater.
- Do not operate if any portion of the heater was submerged in water or if any corrosion occurs. Immediately call a qualified service technician to inspect the appliance and to replace any part of the control system and any gas control which has been under water.

**Safety Warnings (continued)**

- Because this heater can be controlled by a thermostat there is a possibility of the heater turning on and igniting any items placed on or near the appliance.
- Light the heater using the built-in igniter. Do not use matches or any other external device to light your heater.
- Never remove, replace, modify or substitute any part of the heater unless instructions are given in this manual. All other work must be done by a trained technician. Don't modify or replace orifices.
- The viewing glass should be opened only for conducting service.
- Allow the heater to cool before carrying out any maintenance or cleaning.
- Operate the heater according to the instructions included in this manual.
- If the main burners do not start correctly turn the gas off and call your dealer for service.
- This unit is not for use with solid fuel.
- Do not place anything inside the firebox (except the optional artwork).
- **Warning:** Do not operate appliance with the glass front removed, cracked or broken. Replacement of the glass should be done by a licensed or qualified service person.
- Do not throw this manual away. This manual has important operating and maintenance instructions that you will need at a later time. Always follow the instructions in this manual.
- Instruct everyone in the house how to shut gas off to the appliance and at the gas main shutoff valve. The gas main shutoff valve is usually next to the gas meter or propane tank and requires a wrench to shut off.
- A barrier designed to reduce the risk of burns from the hot viewing glass is provided with this appliance and shall be installed for the protection of children and other at-risk individuals.
- If the barrier becomes damaged, the barrier shall be replaced with the manufacturer's barrier for this appliance.
- Clothing or other flammable material should not be placed on or near the appliance.
- Any safety screen, guard, or barrier removed for servicing an appliance must be replaced prior to operating the appliance.
- Installation and repair should be done by a qualified service person. The appliance should be inspected before use and at least annually by a professional service person. More frequent cleaning might be required due to excessive lint from carpeting, bedding material, et cetera. It is imperative that control compartments, burners, and circulating air passageways of the appliance be kept clean.
- **Travis Industries, Inc. grants no warranty, implied or stated, for the installation or maintenance of your heater, and assumes no responsibility of any consequential damage(s).**

**Proposition 65 Warning:** Fuels used in gas, woodburning or oil fired appliances, and the products of combustion of such fuels, contain chemicals known to the State of California to cause cancer, birth defects and other reproductive harm.  
California Health & Safety Code Sec. 25249.6

# 6

# Features and Specifications

## Installation Options

- Residential or Mobile Home
- Straight or Corner Placement
- Flush or Recessed Face
- Raised or Floor Placement
- Internal or External Chase
- Horizontal or Vertical Vent
- Bedroom Approved

## Heating Specifications

Approximate Heating Capacity (in square feet)\*  
 Maximum BTU Input Per Hour

### Natural Gas

Up to 650  
 16,500

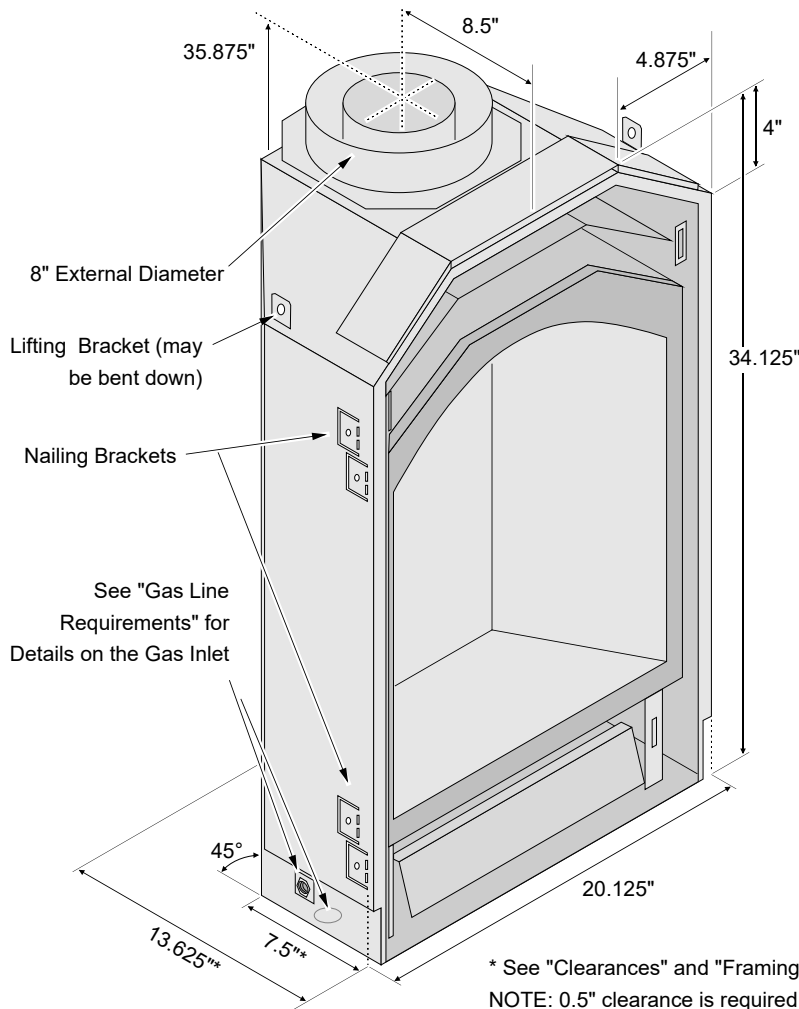
### Propane

Up to 650  
 16,500

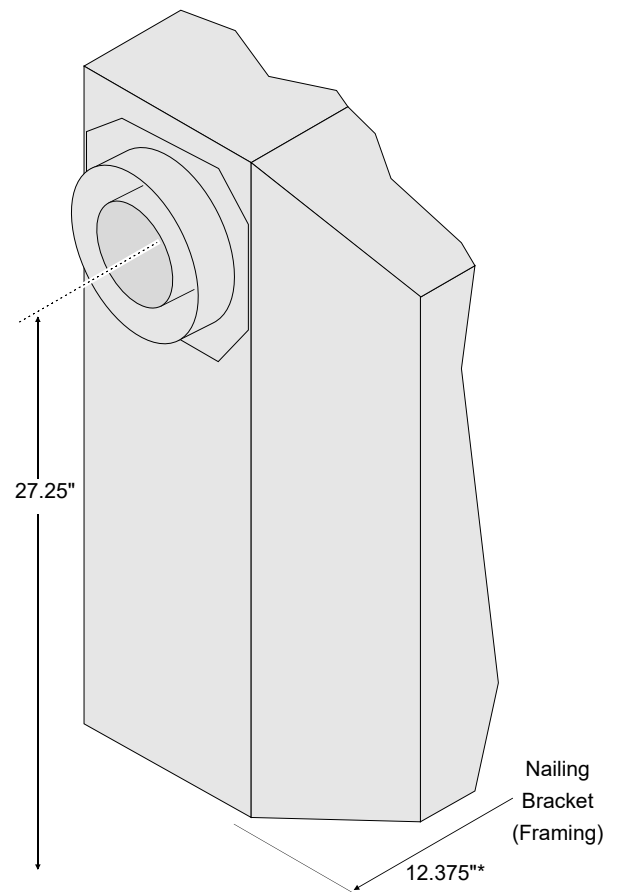
\* Heating capacity will vary with floor plan, insulation, and outside temperature.

## Dimensions

### Top Vent Configuration



### Rear Vent Configuration



\* See "Clearances" and "Framing Dimensions" for details.

NOTE: 0.5" clearance is required to the angled sides and rear of the fireplace.

## Packing List

---

- Propane Conversion Kit (Orifices, Rivet)
- Log Set
- Firestop (sku 93006094)
- Rear Vent Configuration Kit (insulation)
- (4) AA Batteries, (1) 9-Volt Battery
- Remote Control
- Felt Tabs (for concealment cover)

## Additional Items Required

---

- **If using LP (propane) a conversion kit is required (sku 94400999 – GSR Stepper Motor Kit).**
- Direct Vent
- Gas Line Equipment (shutoff valve, pipe, etc.)
- Electrical Equipment (min. 14 gauge, grounded line)

## Recommended Installation Procedure

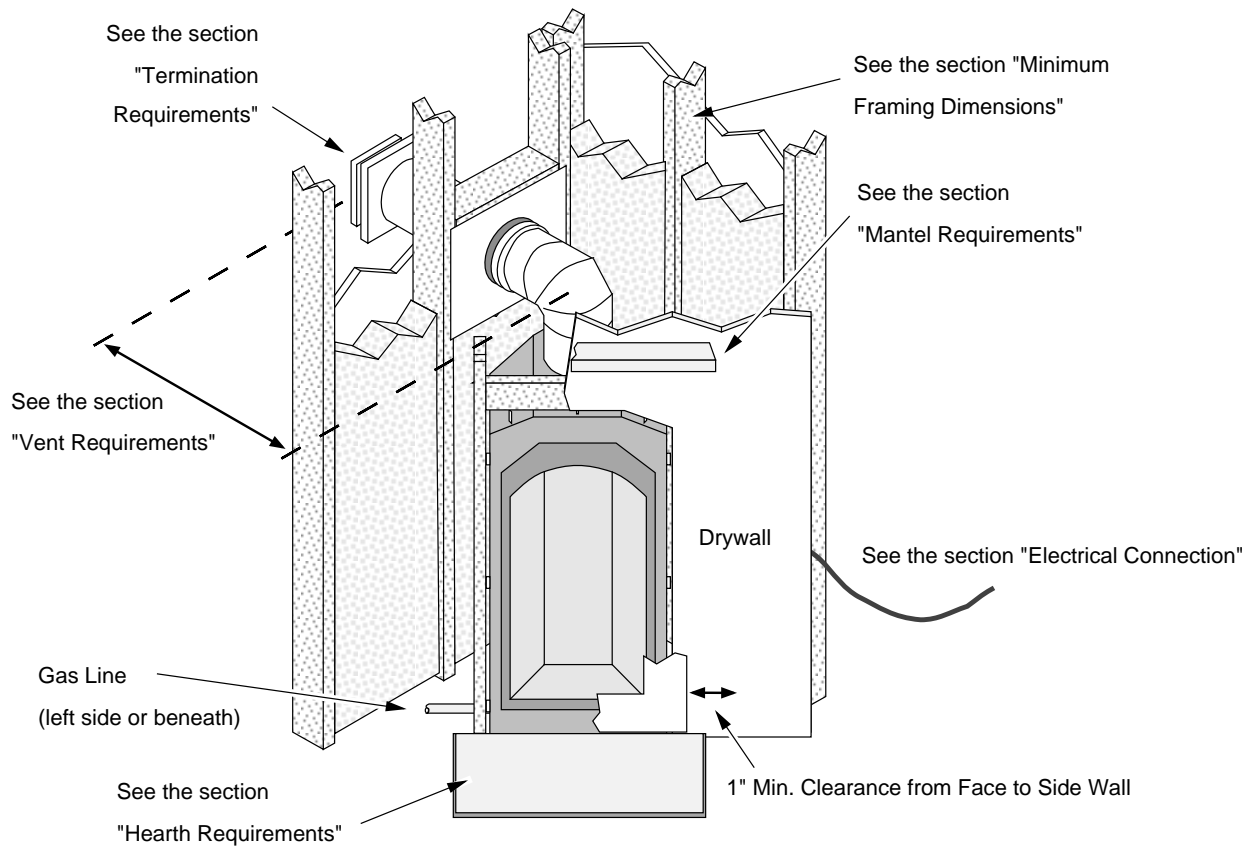
---

**HINT:** We strongly recommend installing all of the optional equipment before placing the fireplace. Place the fireplace on a suitable work stand to ease installation.

- Install the optional equipment (do not install the logs) – we recommend the following order:
  - a) LP Conversion (if applicable) – NOTE: leave the burner removed until after the liner is installed (if applicable). If using the GreenSmart remote, install the modulating regulator during LP conversion.
  - b) Liner (if applicable) – NOTE: You will need to loosen the accent light bracket while installing the liner (see page 52).
  - c) Blower  
NOTE: Do not install the rheostat if using the GreenSmart remote.
  - e) Remote
- Frame the opening for the fireplace. Make sure to allow for vent installation.
- This fireplace is designed to accommodate 1/2" drywall or 1/2" drywall with 3/8" tile (see "Nailing Brackets" on page 17 for details). Secure the fireplace to the framing.  
**NOTE:** If the facing is not 1/2" or 7/8" thick, follow the directions below:  
Place a strip of facing material to both sides of the fireplace opening (NOTE: the strips will be removed after the fireplace is secured). The facing thickness must represent the total thickness of the finished facing (e.g.: If tile is to be used, include the thickness of the backboard, tile, and tile adhesive). Insert the fireplace into the framing. Slide it back until the front edge of the fireplace is flush with the facing material. Secure the fireplace using the plates located along the base of the fireplace.
- Complete the gas line installation. Complete the electrical hook-up.
- Complete the vent installation.
- Install the hearth (if applicable).
- Install the drywall and facing (if applicable).
- Install the mantel (if applicable).
- Finalize the installation (see page 39) and install the grill or face.

***Installation Overview – Top Vent Configuration***

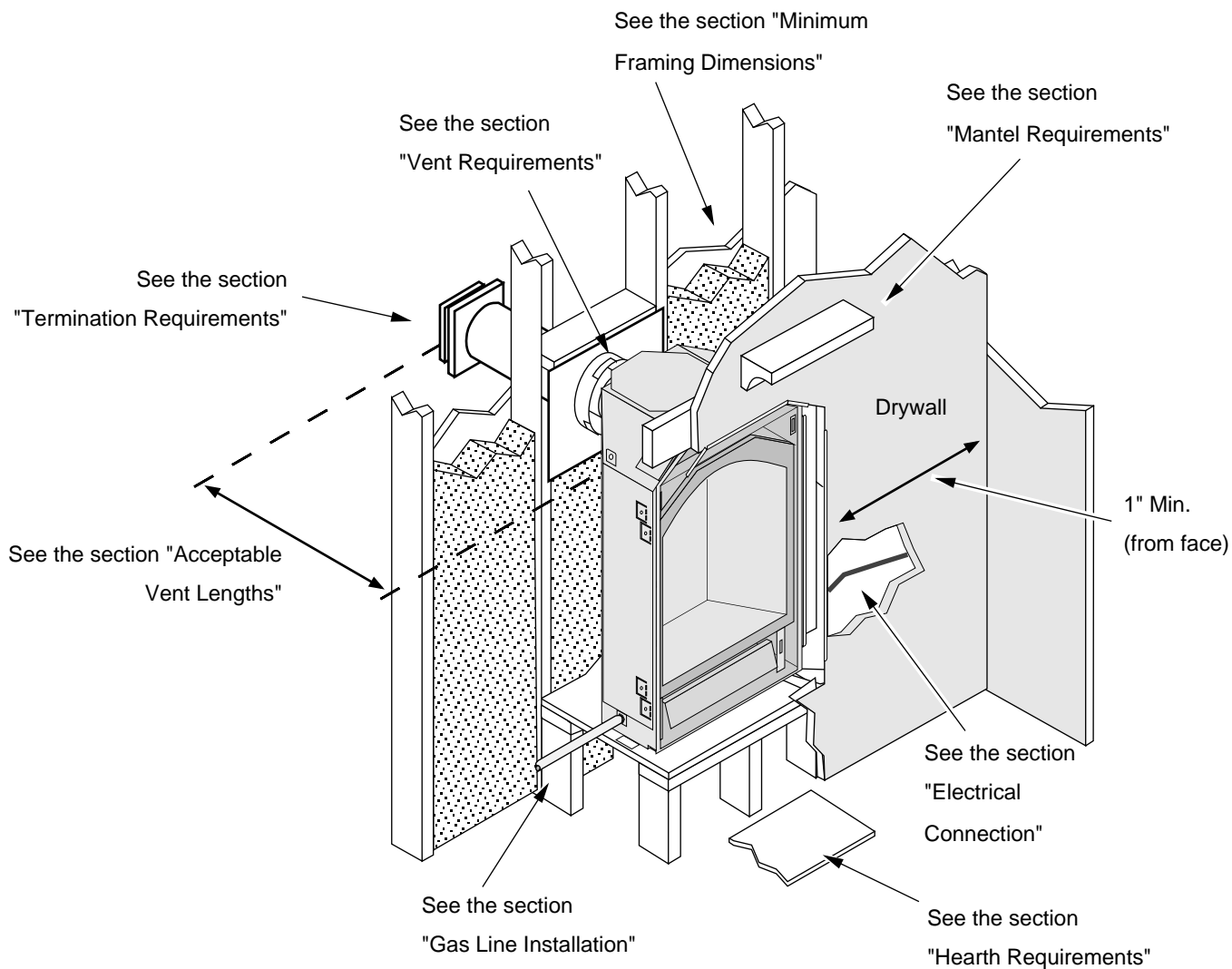
- All requirements below must be met.





## Installation Overview – Rear Vent Configuration

- All requirements below must be met.



## Massachusetts Requirements

NOTE: The following requirements reference various Massachusetts and national codes not contained in this document.

### Requirements for the Commonwealth of Massachusetts

For all side wall horizontally vented gas fueled equipment installed in every dwelling, building or structure used in whole or in part for residential purposes, including those owned or operated by the Commonwealth and where the side wall exhaust vent termination is less than seven (7) feet above finished grade in the area of the venting, including but not limited to decks and porches, the following requirements shall be satisfied:

#### Installation of Carbon Monoxide Detectors

At the time of installation of the side wall horizontal vented gas fueled equipment, the installing plumber or gasfitter shall observe that a hard wired carbon monoxide detector with an alarm and battery back-up is installed on the floor level where the gas equipment is to be installed. In addition, the installing plumber or gasfitter shall observe that a battery operated or hard wired carbon monoxide detector with an alarm is installed on each additional level of the dwelling, building or structure served by the side wall horizontal vented gas fueled equipment. It shall be the responsibility of the property owner to secure the services of qualified licensed professionals for the installation of hard wired carbon monoxide detectors.

In the event that the side wall horizontally vented gas fueled equipment is installed in a crawl space or an attic, the hard wired carbon monoxide detector with alarm and battery back-up may be installed on the next adjacent floor level.

In the event that the requirements of this subdivision can not be met at the time of completion of installation, the owner shall have a period of thirty (30) days to comply with the above requirements; provided, however, that during said thirty (30) day period, a battery operated carbon monoxide detector with an alarm shall be installed.

#### Approved Carbon Monoxide Detectors

Each carbon monoxide detector as required in accordance with the above provisions shall comply with NFPA 720 and be ANSI/UL 2034 listed and IAS certified.

#### Signage

A metal or plastic identification plate shall be permanently mounted to the exterior of the building at a minimum height of eight (8) feet above grade directly in line with the exhaust vent terminal for the horizontally vented gas fueled heating appliance or equipment. The sign shall read, in print size no less than one-half (1/2) inch in size, "GAS VENT DIRECTLY BELOW. KEEP CLEAR OF ALL OBSTRUCTIONS".

#### Inspection

The state or local gas inspector of the side wall horizontally vented gas fueled equipment shall not approve the installation unless, upon inspection, the inspector observes carbon monoxide detectors and signage installed in accordance with the provisions of 248 CMR 5.08(2)(a)1 through 4.

#### Exemptions

The following equipment is exempt from 248 CMR 5.08(2)(a)1 through 4:

- The equipment listed in Chapter 10 entitled "Equipment Not Required To Be Vented" in the most current edition of NFPA 54 as adopted by the Board; and
- Product Approved side wall horizontally vented gas fueled equipment installed in a room or structure separate from the dwelling, building or structure used in whole or in part for residential purposes.

## MANUFACTURER REQUIREMENTS

#### Gas Equipment Venting System Provided

When the manufacturer of Product Approved side wall horizontally vented gas equipment provides a venting system design or venting system components with the equipment, the instructions provided by the manufacturer for installation of the equipment and the venting system shall include:

- Detailed instructions for the installation of the venting system design or the venting system components; and
- A complete parts list for the venting system design or venting system.

#### Gas Equipment Venting System NOT Provided

When the manufacturer of a Product Approved side wall horizontally vented gas fueled equipment does not provide the parts for venting the flue gases, but identifies "special venting systems", the following requirements shall be satisfied by the manufacturer:

- The referenced "special venting system" instructions shall be included with the appliance or equipment installation instructions; and
- The "special venting systems" shall be Product Approved by the Board, and the instructions for that system shall include a parts list and detailed installation instructions.

A copy of all installation instructions for all Product Approved side wall horizontally vented gas fueled equipment, all venting instructions, all parts lists for venting instructions, and/or all venting design instructions shall remain with the appliance or equipment at the completion of the installation.

See Gas Connection section for additional Commonwealth of Massachusetts requirements.

## Top Vent or Rear Vent Configuration

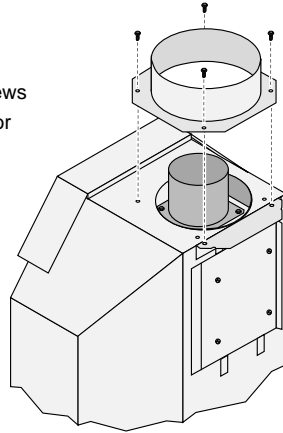
This appliance is shipped in the top vent configuration. To change to the rear vent configuration, follow the directions below.

**NOTE:** Top or rear vent configuration affects several aspects of installation (framing, maximum vent rise, maximum vent run). Make sure the vent configuration is correct prior to installation.

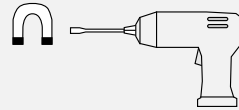
**HINT:** The diffuser is easiest to modify when converting the vent to rear-vent configuration. Refer to the vent configuration charts to determine if the vent diffuser requires adjustment to position # 2.

### Converting the Fireplace to Rear Vent Configuration

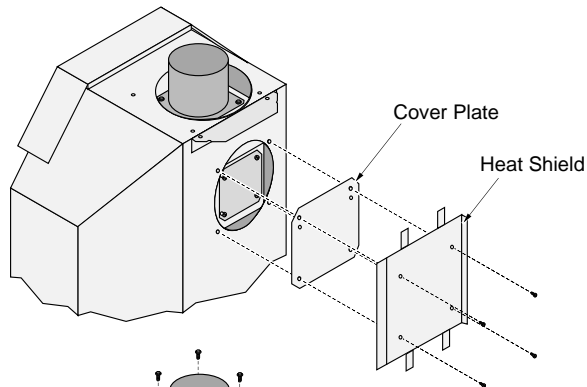
Remove the outer flue assembly. Place the screws and components aside (for all subsequent steps).



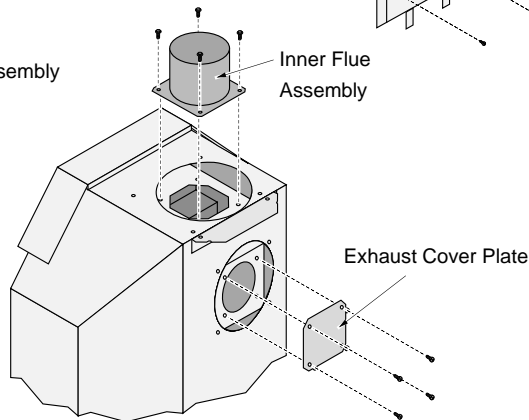
**NOTE:** Use a magnetic-tipped nutdriver on these screws - take care to prevent the screws from falling into the fireplace.



Remove the cover plate, and heat shield.

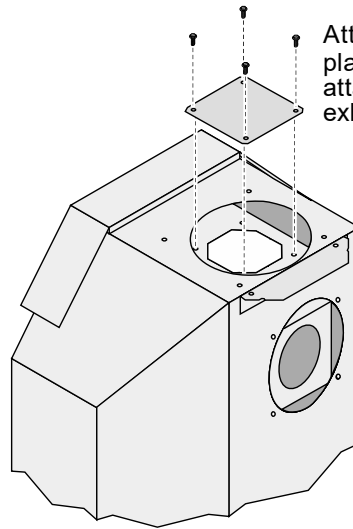
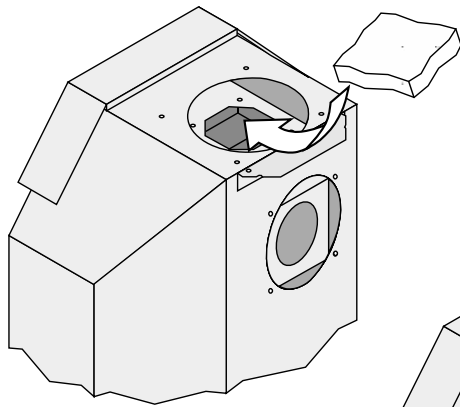


Remove the inner flue assembly and exhaust cover plate.

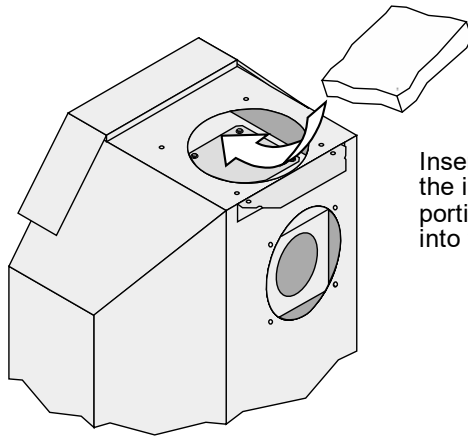


**Converting the Fireplace to Rear Vent (continued)**

Insert the small piece of insulation into the exhaust duct. Tuck it into the cavity so it lays flat.

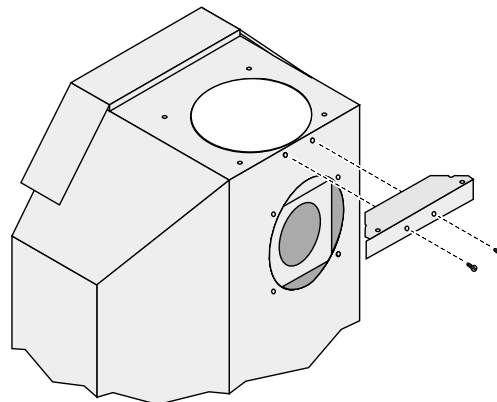
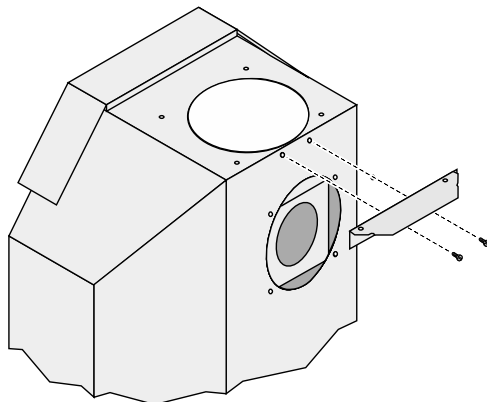


Attach the exhaust cover plate, making sure the attached gasket seals the exhaust duct.



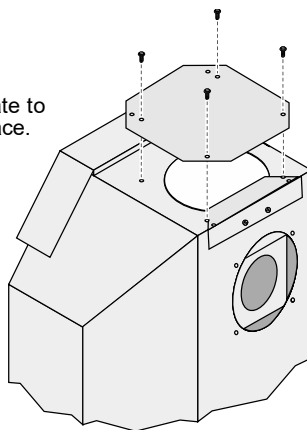
Insert the large piece of insulation into the intake duct. Note how the wider portion faces the front and back. Tuck it into the cavity so it lays flat.

Remove the flue collar support, rotate it 180°, and re-attach it to the fireplace.

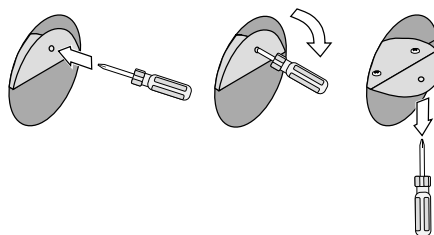
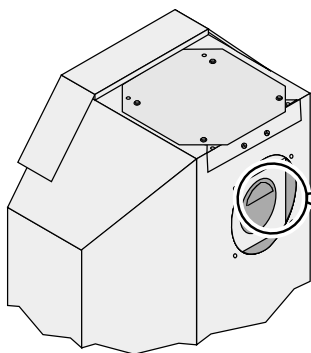


## Converting the Fireplace to Rear Vent (continued)

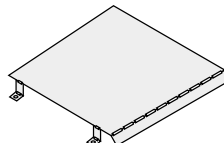
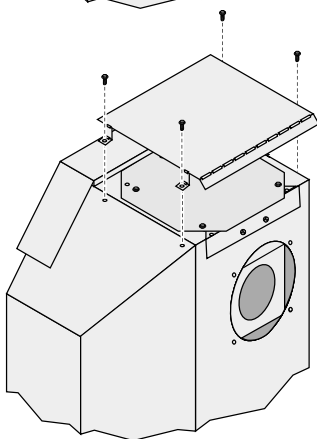
Attach the cover plate to the top of the fireplace.



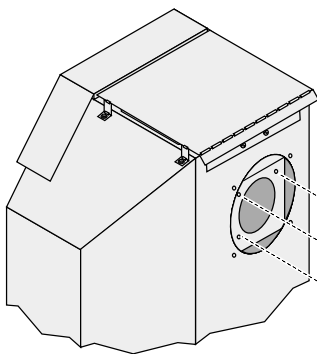
Bend the exhaust restrictor following the steps shown below.



Bend the heat shield as shown to the right.

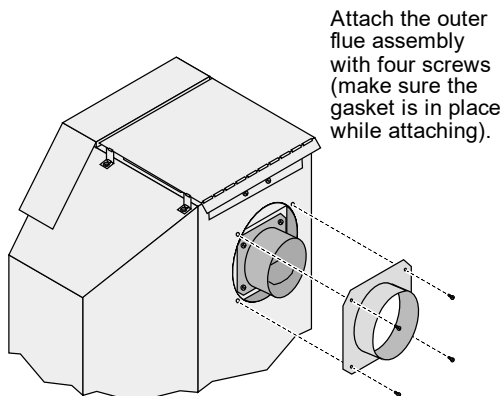


Remove the 4 screws on the angled top of the fireplace and attach the heat shield with these screws.



Attach the inner flue assembly with four screws (make sure the gasket is in place while attaching).

NOTE: Install the flue assembly with the diffuser to the bottom.



Attach the outer flue assembly with four screws (make sure the gasket is in place while attaching).

**Fireplace Placement Requirements**

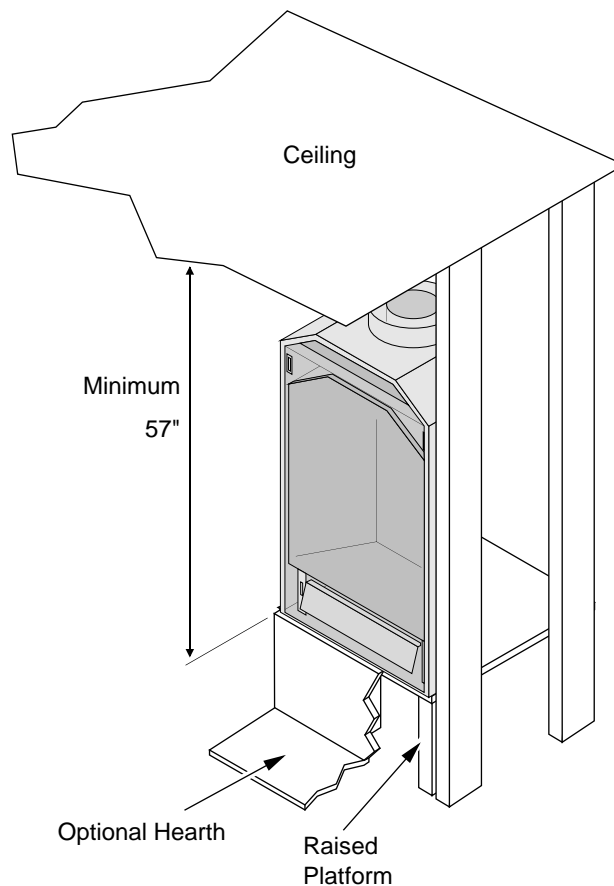
- The fireplace requires a 1/2" clearance from the angled sides and back of the fireplace to the framing members. No material (insulation, framing, etc.) may be placed into this area.
- Fireplace must be installed on a level surface capable of supporting the fireplace and vent.
- Fireplace must be placed directly on wood or non-combustible surface (not on linoleum or carpet).
- This heater may be placed in a bedroom.

**Clearances**

- When installed, walls in front of the fireplace must be a minimum 1" to the side of the fireplace.
- Due to the high temperature, the heater should be located out of traffic and away from furniture and draperies.
- Fireplace must be placed so the vents below and above the glass do not become blocked.

**Raised Fireplaces**

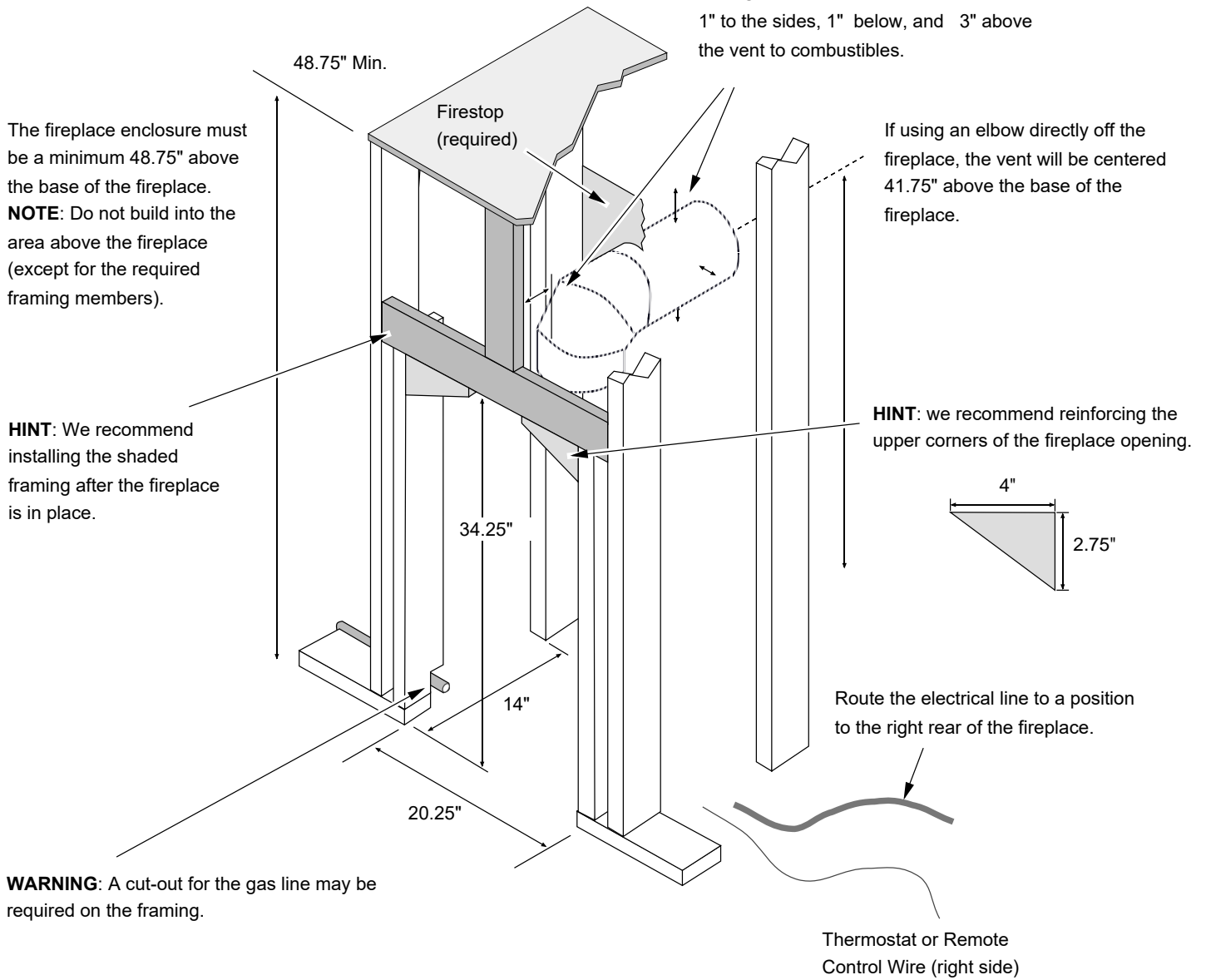
- The fireplace (and hearth, if desired) may be placed on a platform designed to support the fireplace (95 Lbs.) and vent.

**Make Sure the Fireplace is Raised a Minimum 3/8" (9mm)**

- ! Faces, when installed, extend 3/8" (9mm) below the base of the fireplace. Make sure the fireplace is raised appropriately to allow for face installation.

## Minimum Framing Dimensions - Top Vent Configuration

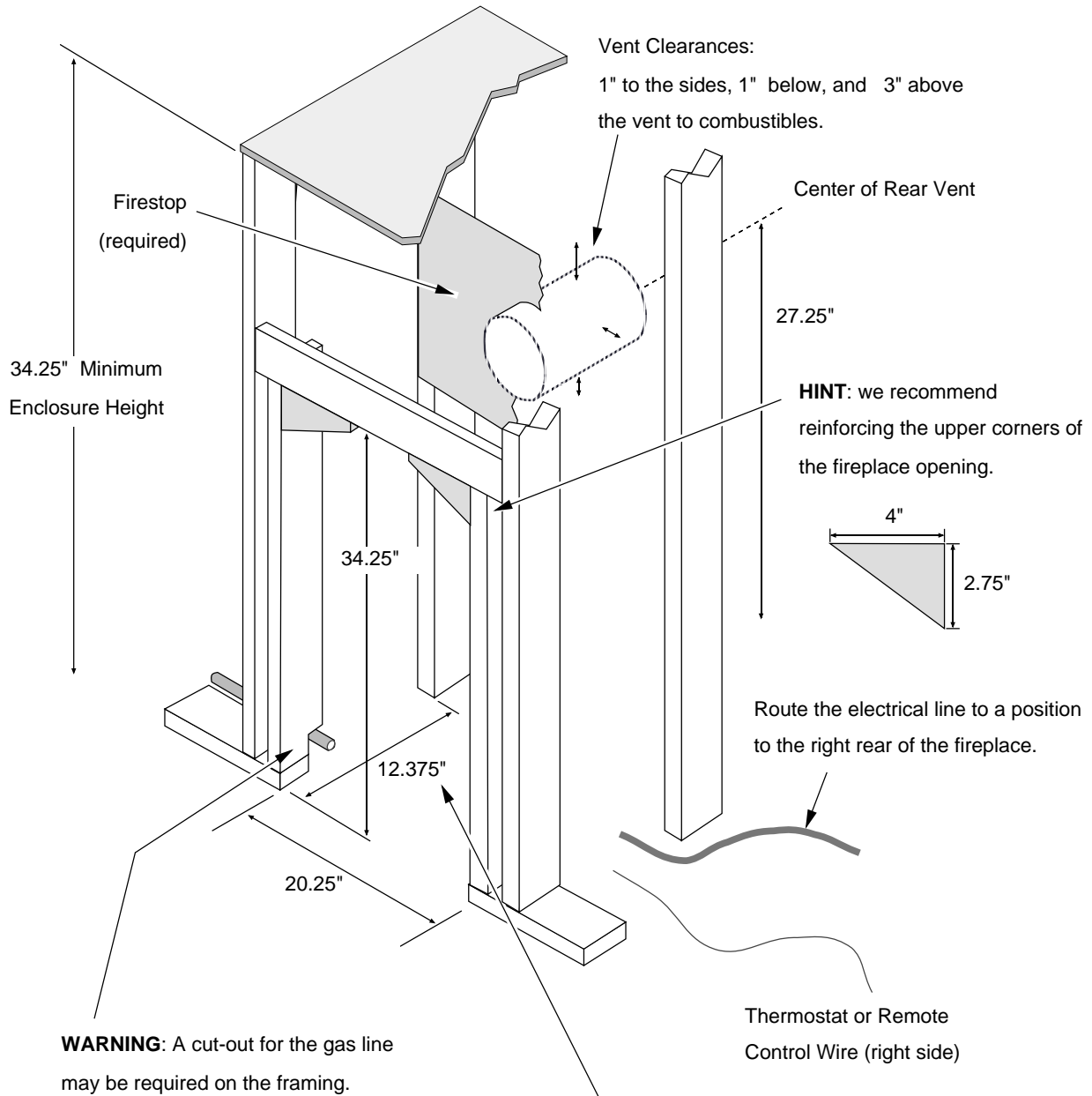
Vent Clearances:  
1" to the sides, 1" below, and 3" above  
the vent to combustibles.



### **Make Sure the Fireplace is Raised a Minimum 3/8" (9mm)**

! Faces, when installed, extend 3/8" (9mm) below the base of the fireplace. Make sure the fireplace is raised appropriately to allow for face installation.

Minimum Framing Dimensions - Rear Vent Configuration



**NOTE:** The rear vent may require extra  
clearance - make sure to accommodate the  
vent when determining the framing.

**Make Sure the Fireplace is Raised a Minimum 3/8" (9mm)**

! Faces, when installed, extend 3/8" (9mm) below the base of the fireplace. Make sure the fireplace is raised appropriately to allow for face installation.



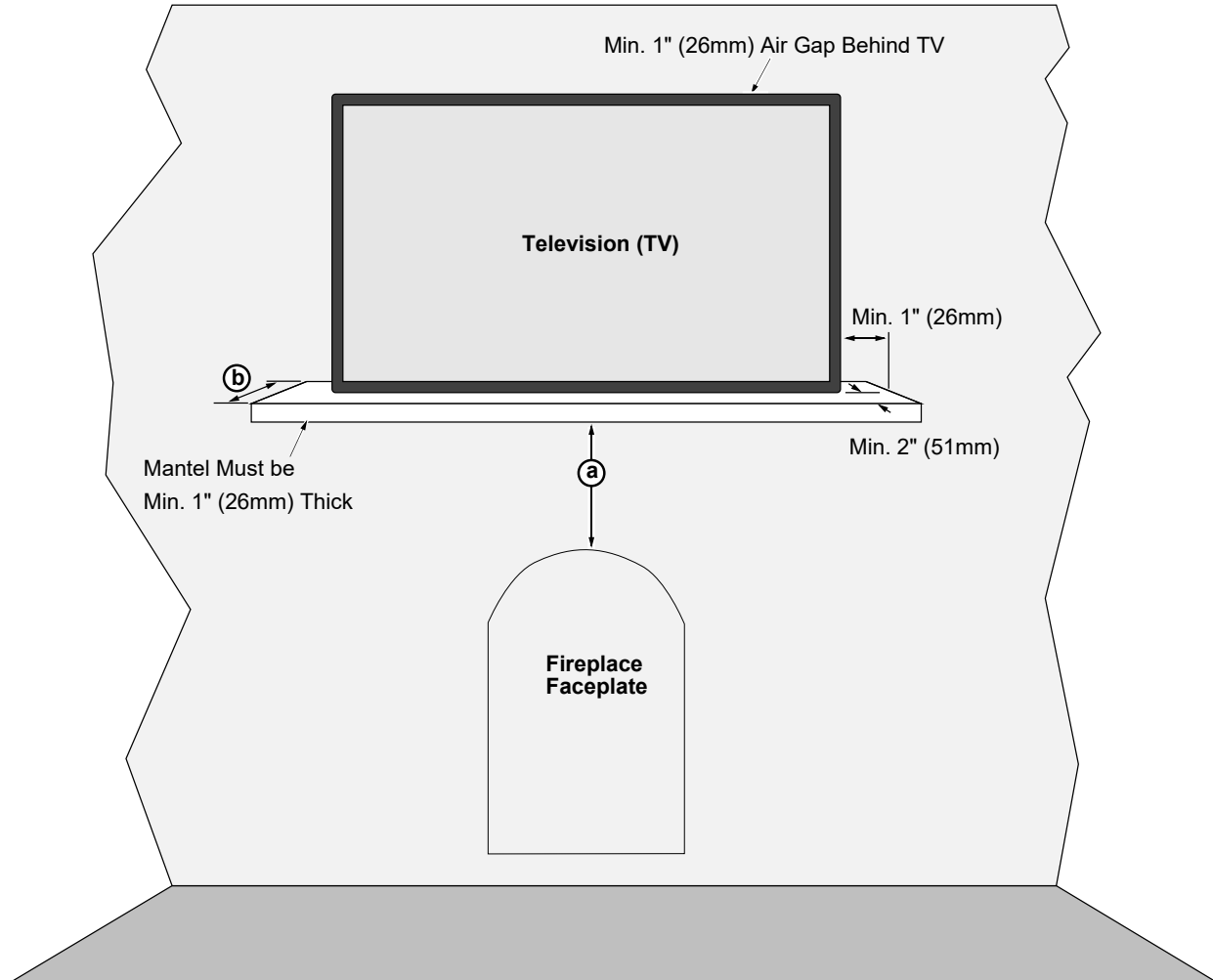
## Televisions Placed Above the Fireplace

The following section details three methods to allow for television installation above the fireplace.

### Using a Mantel Between the Fireplace and Television

#### **IMPORTANT NOTE REGARDING TELEVISIONS AND THIS FIREPLACE**

Most television manufacturers instruct the homeowner to not place the television above a heat source. Doing so may negatively affect the longevity of the television and may negate the warranty. If you do place a television above the fireplace, please be aware of the large amount of heat generated by the fireplace and consider placing the television above a mantel to reduce the amount of heat that reaches the television. The homeowner must understand that Travis Industries does not take responsibility for any negative impact to televisions placed near this fireplace.



#### **Minimum Dimensions:**

(a) Minimum Mantel Height above Faceplate*	7.25" (1137mm) with 8" (203mm) mantel depth
(b) Mantel Depth*	Minimum 8" (203mm)*

**\* Mantel depth is 8" minimum to allow heat to travel forward and dissipate. If using more than an 8" mantel, make sure to make the mantel height (a) higher (see mantel requirements on page 38 for details).**

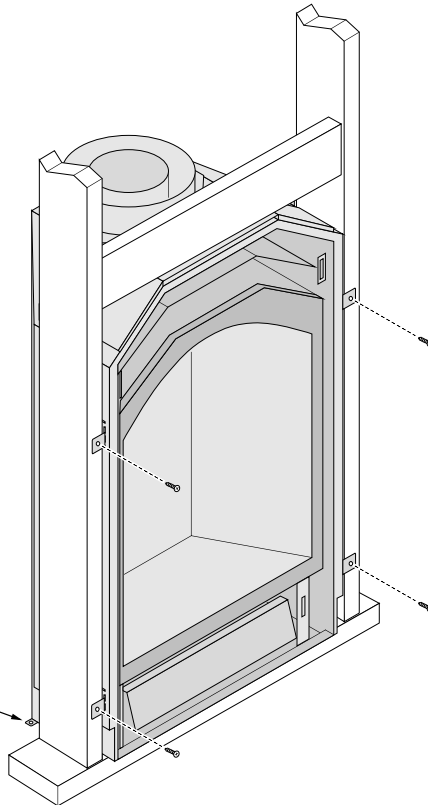
**NOTE:** The mantel must extend 2" in front of the TV and 1" to both sides. If you have a TV that is greater than 6" deep (including the 1" gap behind), you will need to alter the mantel depth and height.

**WIRING NOTE:** If running wiring into the enclosure, use thermal insulating wrap around the wiring. Secure the wiring to protect from contact with hot surfaces.

**Nailing Brackets**

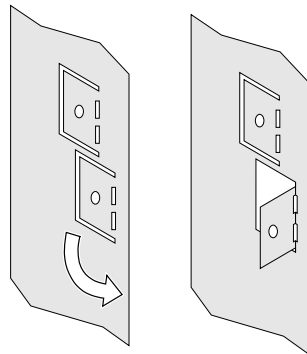
There are four nailing brackets on the sides of the fireplace. Follow the directions below to prepare the nailing brackets. Once in place, nail or screw the nailing brackets to the framing.

**NOTE:** There are alternative nailing brackets on the back corners of the fireplace if the front brackets can not be used.

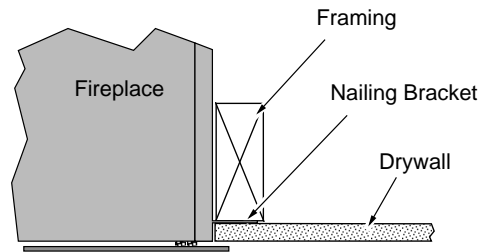


**1/2" Facing**

For installations using 1/2" facing (1/2" drywall or other facing) fold the lower tab out 90°.

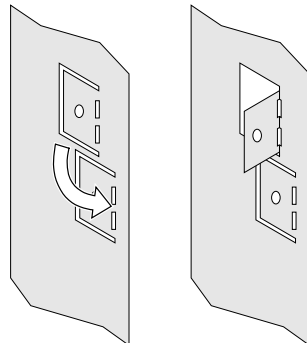


**TOP VIEW**

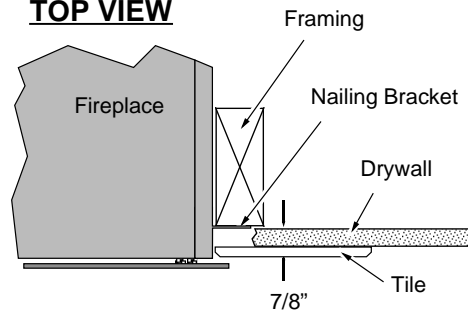


**7/8" to 1" Facing**

For installations using 1" facing (1/2" drywall with 3/8" tile, 7/8" tile, etc.) fold the upper tab out 90°.

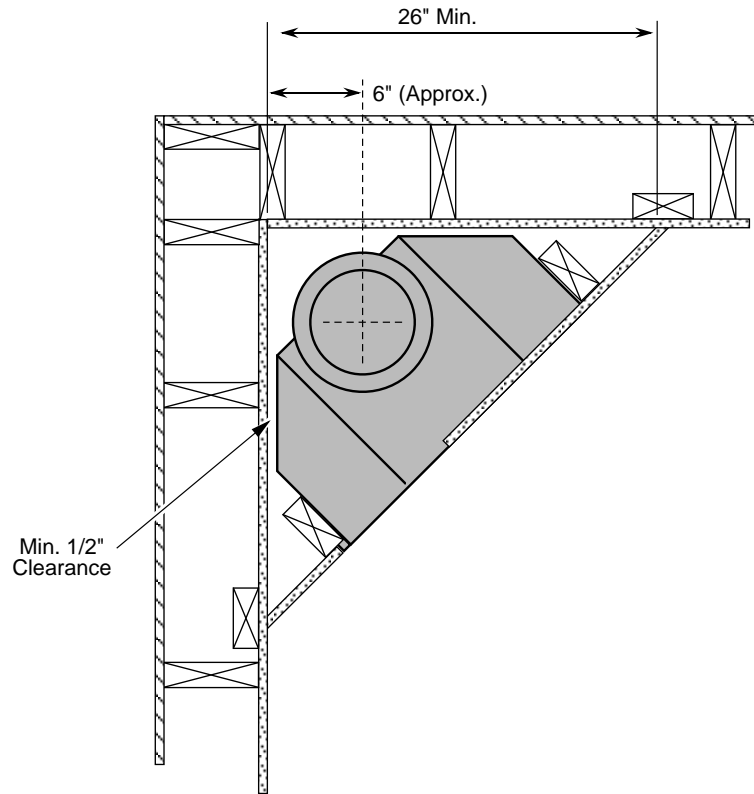


**TOP VIEW**



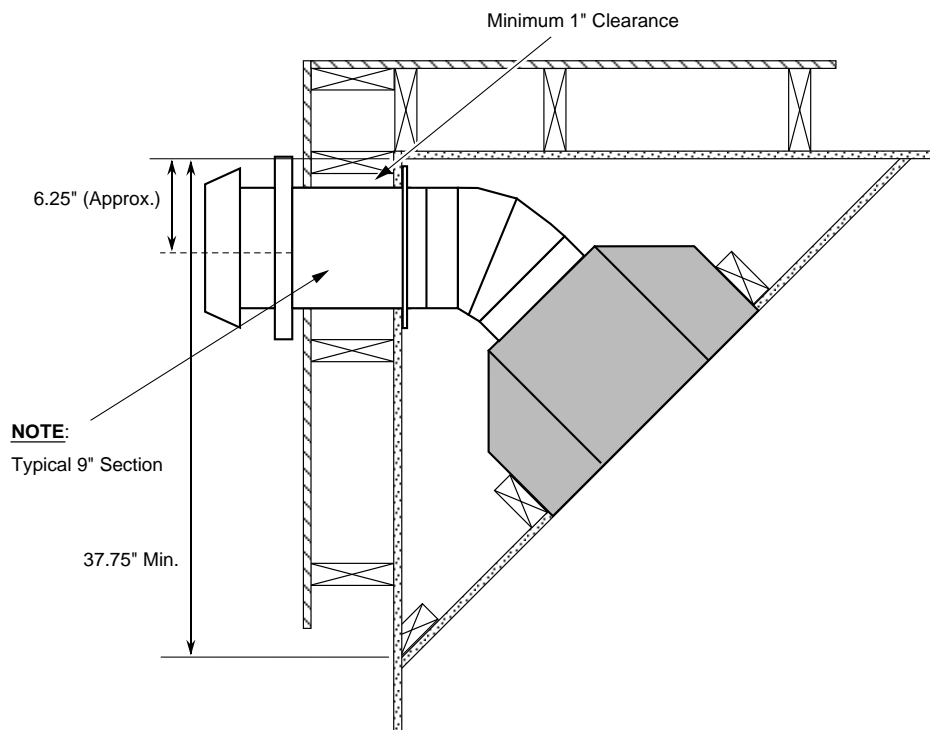
## Corner Installations - Top Vent Configuration

Typical 45° installation uses the framing dimensions shown in the illustration below (NOTE: all clearances apply).



## Corner Installations - Rear Vent Configuration

Typical 45° installation uses the framing dimensions shown in the illustration below (NOTE: all clearances apply).

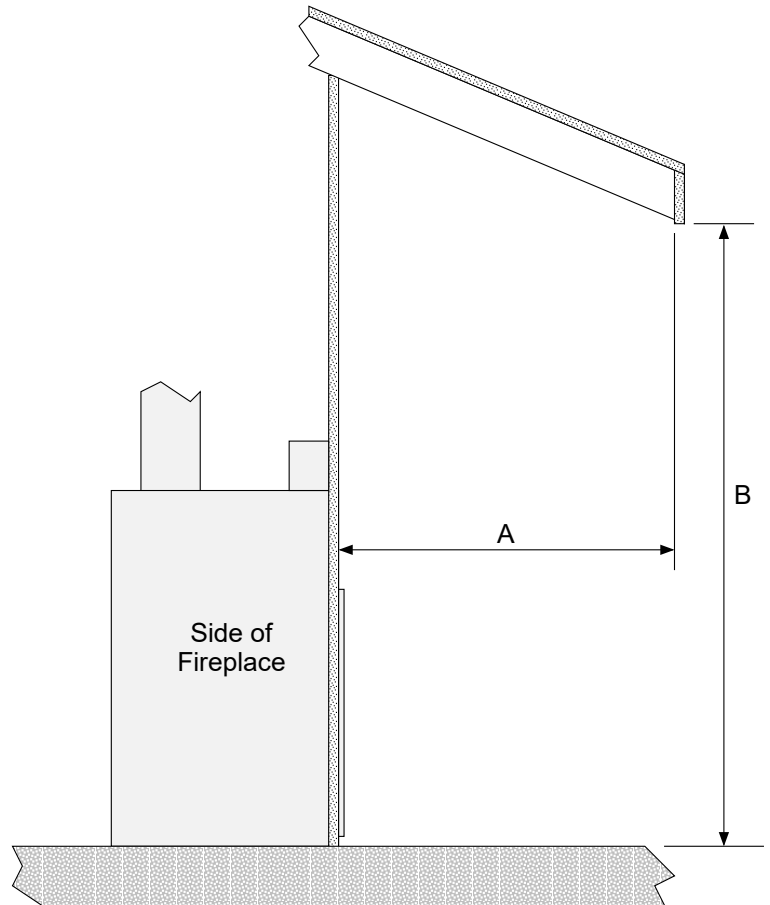


## Outdoor Fireplace Installations

Travis Industries Inc. gas-fired fireplaces are suitable for installation into outdoor areas protected from direct water impingement. In addition to maintaining listed mantel and combustibles clearances, a rain protection overhang factor of 1/2 shall be constructed to the front and to each side of installed appliances (see the illustration to the right). All wiring connections to line power shall be in accordance with outdoor requirements of NECA NFPA 70.

### Warnings Regarding Tempered Glass

This fireplace uses tempered glass which is susceptible to thermal shock. Take care to prevent water from contacting the fireplace, especially if it is hot.



The overhang (A) must extend at least 1/2 the roofline height (B). Height is measured from the base of the fireplace.

For example: if the roofline (B) is 8' above the base of the fireplace, the overhang (A) must be at least 4'.

## Gas Line Requirements

### MASSACHUSETTS INSTALLATIONS - **WARNING:**

THIS PRODUCT MUST BE INSTALLED BY A LICENSED PLUMBER OR GAS FITTER WHEN INSTALLED WITHIN THE COMMONWEALTH OF MASSACHUSETTS.

#### OTHER MASSACHUSETTS CODE REQUIREMENTS:

- Flexible connector must not be longer than 36 inches.
- Shutoff valve must be a "T" handle gas cock.
- Only direct vent sealed combustion products are approved for bedrooms or bathrooms.
- Fireplace dampers must be removed or welded in the open position prior to the installation of a fireplace insert or gas log.
- A carbon monoxide (CO) detector is required in the same room as the appliance.

- The gas line must be installed in accordance with all local codes, if any; if not, follow ANSI 223.1 and the requirements listed below.
- The fireplace and gas control valve must be disconnected from the gas supply piping during any pressure testing of that system at test pressures in excess of 1/2 psig. For pressures under 1/2 psig, isolate the gas supply piping by closing the manual shutoff valve.
- Leak test all gas line joints and the gas control valve prior to and after starting the fireplace.

## Fuel

- This fireplace is designed either for natural gas or for propane (but not for both). Check the sticker on the top of the gas control valve to make sure the correct fuel is used.

## Gas Line Connection

- Installation must be performed by a qualified installer, service agency or the gas supplier (In Massachusetts a licensed plumber/gasfitter).
- The gas inlet accepts 1/2" MPT.

## Gas Inlet Pressure

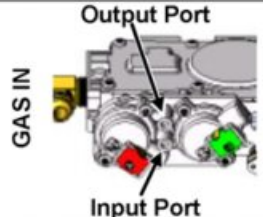
<b>Gas Pressure</b>	Max. Input Pressure	Min. Input Pressure	Max. Manifold Pressure	Min. Manifold Pressure
<b>Natural Gas</b>	7" W.C. (1.74 kPA)	5.5" W.C. (1.37 kPA)	3.5" W.C. (0.87 kPA)	1.6" W.C. (0.40 kPA)
<b>Propane</b>	13" W.C. (3.23 kPA)	11" W.C. (2.74 kPA)	11" W.C. (2.74 kPA)	2.9" W.C. (0.72 kPA)

- If the pressure is not sufficient, make sure the piping used is large enough, the supply regulator is adequately adjusted, and the total gas load for the residence does not exceed the amount supplied.
- The supply regulator (the regulator that attaches directly to the residence inlet or to the propane tank) should supply gas at the suggested input pressure listed above. Contact the local gas supplier if the regulator is at an improper pressure.

**Directions for Connecting a Gas Pressure Test Gauge**

The gas control valve (shown to the right) has two test ports for testing input (line pressure) and output (manifold) pressure. Loosen the brass screw on either test port and place a 5/16" i.d. rubber or plastic tube over the tapered test port. Connect the tube to the test gauge.

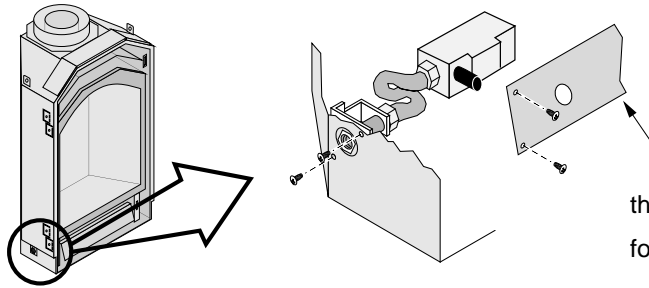
**WARNING:** The brass screw must be tightened after testing to prevent gas leakage.



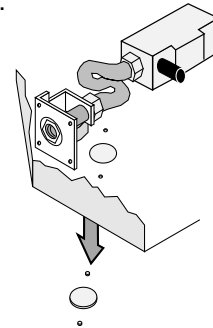
- If the pressure is not sufficient, make sure the piping used is large enough, the supply regulator is adequately adjusted, and the total gas load for the residence does not exceed the amount supplied.
- The supply regulator (the regulator that attaches directly to the residence inlet or to the propane tank) should supply gas at the suggested input pressure listed above. Contact the local gas supplier if the regulator is at an improper pressure.

Optional Gas Line Location

**a** Remove the two screws near the gas inlet (save these screws).

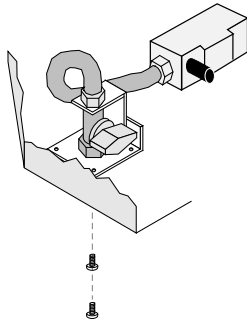


**b** Remove the three knock-outs on the bottom of the fireplace (one large, two small).



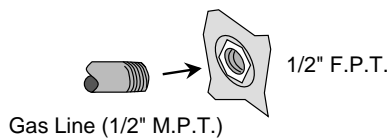
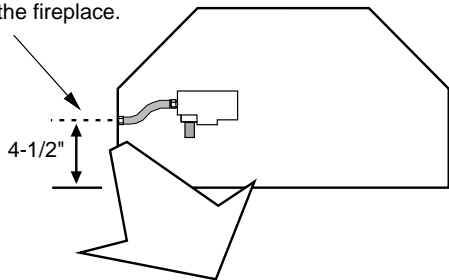
remove the control cover for access.

**c** Secure the gas inlet assembly using the screws removed in step "a".

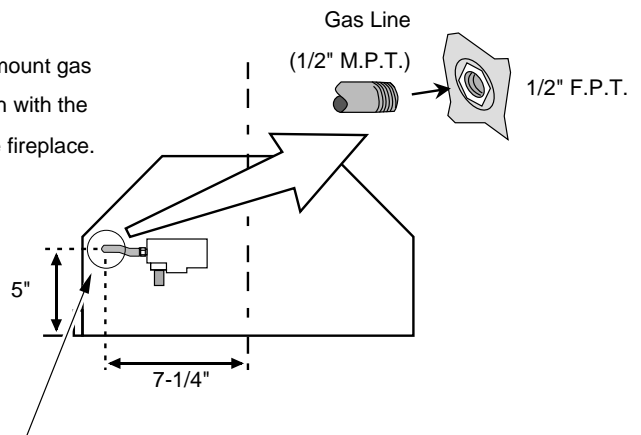


Gas Line Location

The left side gas inlet is located 1-3/8" above the base of the fireplace.



The base mount gas inlet is flush with the base of the fireplace.



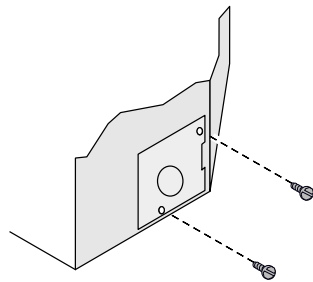
**NOTE:** a 3" diameter hole is required to provide clearance for the gas inlet screws.

## Electrical Connection (required)

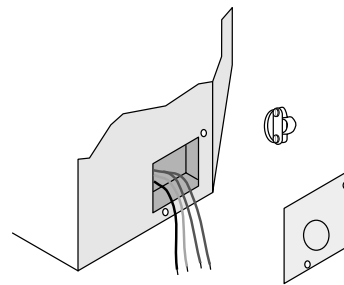
- The electrical line to the grounded receptacle inside the fireplace must be installed by a qualified installer and must meet all local codes.
- Make sure the household breaker is shut off prior to working on any electrical lines.
- The appliance, when installed, must be electrically grounded in accordance with local codes or, in the absence of local codes, with the National Electrical Code, ANSI/NFPA 70, or the Canadian Electrical Code, CSA C22.1.
- The electrical line must be a min. 14 gauge, and supply 120 Volts, 60 Hz (typical max amps: 5).

**Caution:** Label all wires prior to disconnection when servicing controls. Wiring errors can cause improper and dangerous operation.

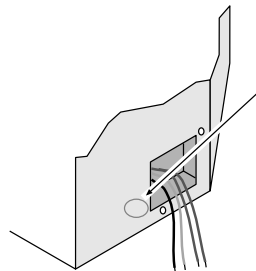
**a** Remove the cover from the fireplace junction box.



**b** The connection wires and a romex clamp are inside the junction box.

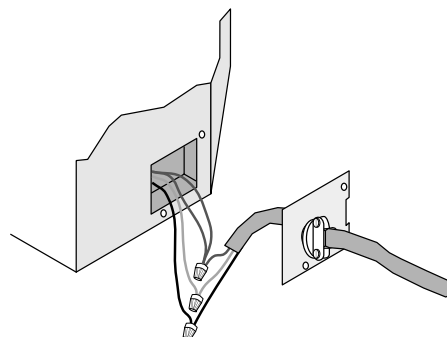


**c** Remove the knock-out from the cover plate.



**NOTE:** An alternative knock-out is provided in the base of the fireplace if you wish to run the electrical line from below.

**d** Secure the romex connector to the cover plate. Route the electrical line through the cover plate and attach the electrical leads. Replace the cover plate.



## Vent Requirements

- The gas appliance and vent system must be vented directly to the outside of the building, and never be attached to a chimney serving a separate solid fuel or gas-burning appliance. Each direct vent gas appliance must use its own separate vent system.
- In addition to the requirements listed here, follow the requirements provided with the vent.
- A firestop is required whenever the vent penetrates a wall, floor, or ceiling (passes through framing members). Use the included firestop. It incorporates a 3" clearance above, 1" clearance below and to the sides of the vent.

### Drafting Performance

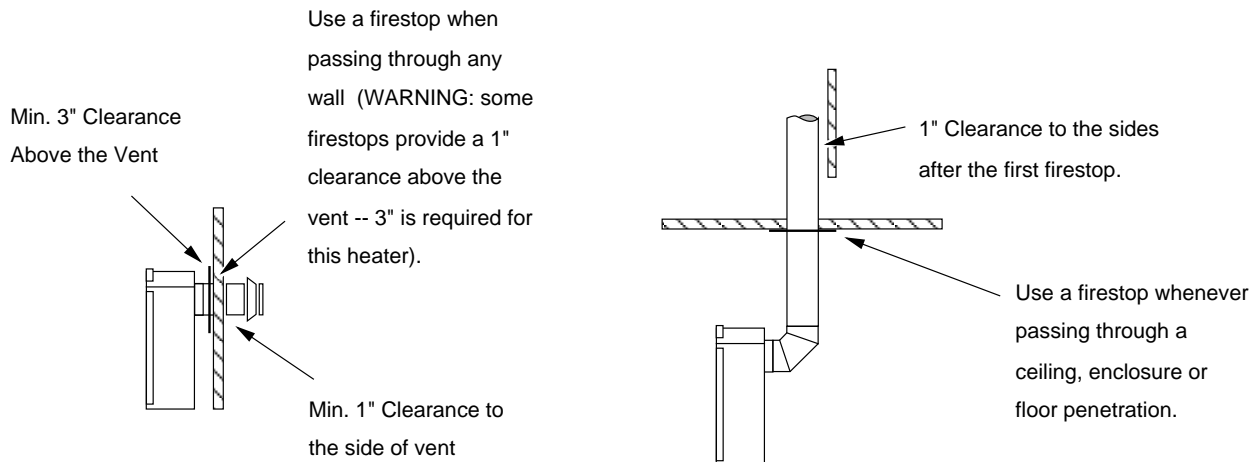
This direct vent appliance requires natural draft to operate (similar to a wood stove or other heating appliance). Draft can be adjusted using the included restrictor. The restrictor settings detailed in the manual should be followed (variations may occur depending upon installation parameters).

Many factors may negatively influence the draft of the appliance. Travis Industries will not be responsible for improper draft due to factors such as trees, hills, buildings, obstructions, excessive wind, extreme hot or cold outdoor temperatures, restrictive vent terminations, or influence from mechanical systems.

## Vent Clearances

- The vent must maintain the required clearance to combustible materials to prevent a fire. Do not fill air spaces with insulation.

Sides	1"
Above	3"
Below Horizontal or 45° Section	1"



## Altitude Considerations

- This heater has been tested at altitudes ranging from sea level to 6,000 feet. In this testing we have found that the heater, with its standard orifice, burns correctly with just an air shutter adjustment.
- Failure to adjust the air shutter properly may lead to improper combustion which can create a safety hazard. Consult your dealer or installer if you suspect an improperly adjusted air shutter.

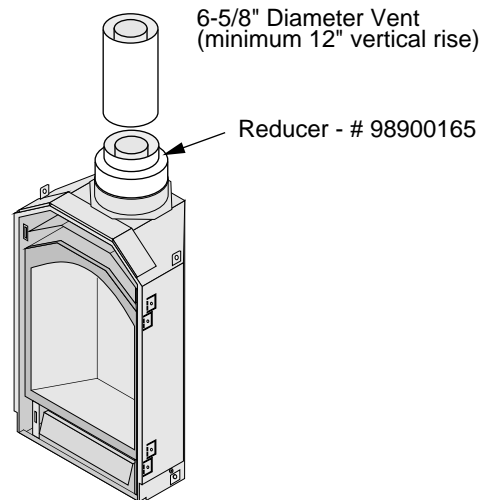


## Approved Vent

- Rear vent configurations use 8" diameter Simpson Dura-Vent Model Direct-Vent Pro (or GS)\*.
- Top vent configurations use 8" or 6-5/8" diameter Simpson Dura-Vent Direct-Vent Pro (or GS)\*. If using 6-5/8" diameter vent, attach the 8" to 6-5/8" reducer (Travis part # 98900165) to the fireplace.

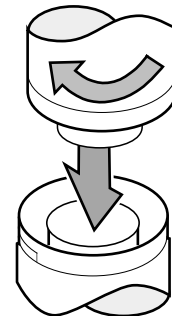
\* Other vent may be approved with this fireplace. Check with the vent manufacturer for details.

- Always use the high-wind cap (or high-wind sconce cap, part # 58DVA-HSCH or 46DVA-HSCH).
- Installation instructions for Simpson Dura-Vent may be found at [www.duravent.com](http://www.duravent.com).



## Vent Installation

- Slide the vent sections together and turn 1/4 turn until the sections lock in place.
- Screws are not required to secure the vent. However, three screws may be used to secure vent sections together if desired.
- High temperature sealant is recommended at the appliance starter section connection (use high-temperature silicone or Mill-Pac®).
- If disassembly is required, at time of re-assembly check to see if the vent creates a tight fit. If it does not, apply high temperature sealant to the joints of the affected sections.
- Horizontal sections require a 1/4" rise every 12" of travel.
- Horizontal sections require non-combustible support every three feet (e.g.: plumbing tape).
- Vent termination must not be located where it can become plugged by snow or other material.
- Use the vinyl siding standoff when installing on a structure with vinyl siding.
- Venting termination shall not be recessed into a wall or siding.



## Approved Vent Configurations

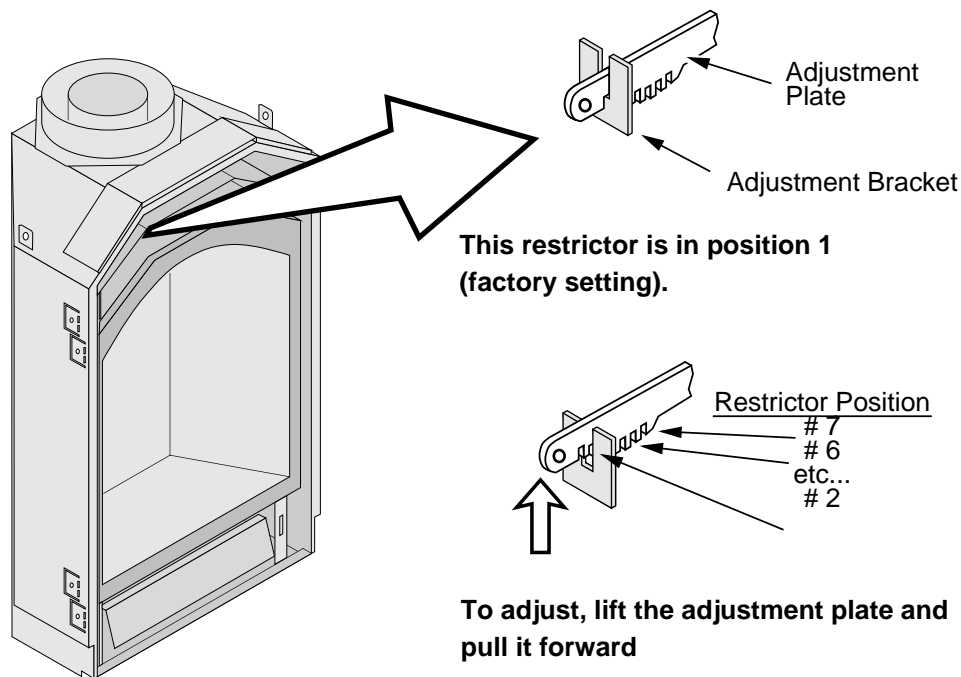
### Restrictor Position

- An exhaust restrictor and diffuser are built into the appliance to adjust the flow rate of intake air and exhaust gases. Depending upon the vent configuration, you may be required to adjust the restrictor and/or diffuser. The charts for acceptable vent configurations detail the correct vent restrictor and diffuser positions.

### Exhaust Restrictor Adjustment

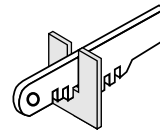


If the diffuser is required to be in position # 2, you may wish to adjust the diffuser while the exhaust restrictor is removed.



#### To Access the Restrictor:

Remove the face (with the stove cool).



This restrictor is in position 3.

#### To Adjust the Restrictor:

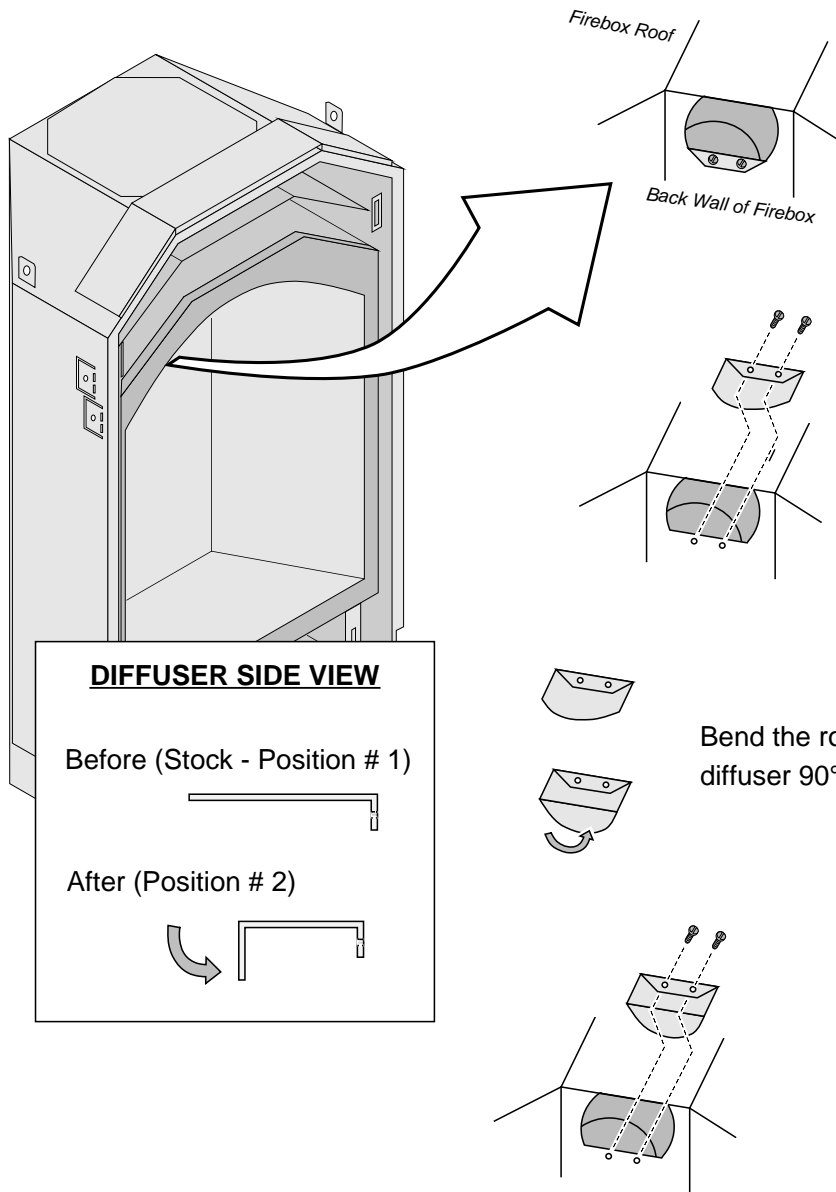
- Determine the correct restrictor position (see the charts under "Approved Vent Configurations" - the factory position is #1).
- Lift up the adjustment plate and move it so the correct notch falls into the slot on the adjustment bracket.

## Diffuser Plate Adjustment

Certain vent configurations require the diffuser plate to be adjusted (refer to the approved vent configuration charts for details). Position # 1 is stock (flat). Position # 2 is bent. See the directions below to change the diffuser to position #2.



If the diffuser is required to be in position # 2, you may wish to adjust the diffuser while converting the appliance to rear-vent configuration.



**NOTE:** To better access the diffuser, you may wish to move the restrictor to the # 1 position.

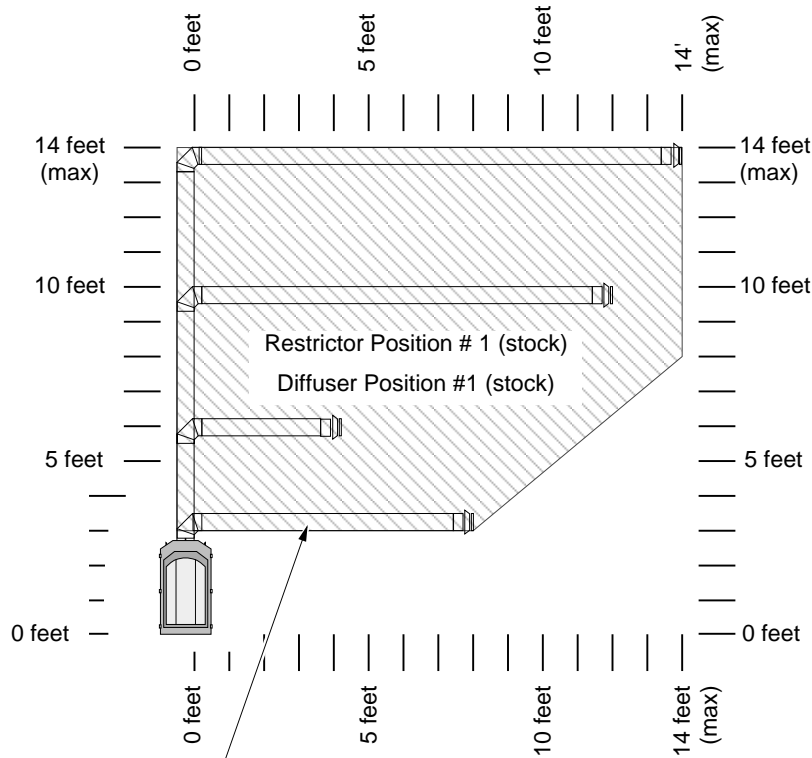
Remove the diffuser.

Bend the round portion of the diffuser 90°.

Secure the diffuser plate with the screws removed earlier.

**Top Vent Configuration with Horizontal Termination**

- The termination must fall within the shaded area shown in the chart. Use the indicated restrictor and diffuser positions.
- May use 8" or 6-5/8" diameter vent (see page for 25 details).
- Up to four elbows (45° or 90°) may be used with 8" vent.
- Up to two elbows (90°) may be used with 6-5/8" vent.
- Only one horizontal elbow may be used (see illustration at the bottom of the page).



**NOTE:**

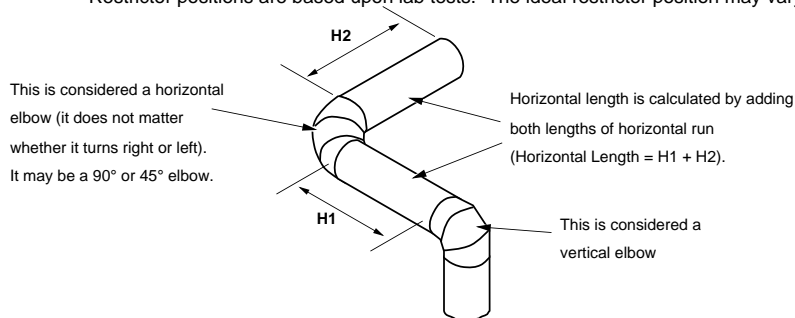
If using 6-5/8" diameter vent, a minimum 12" vertical rise is required.

**NOTE:**

Horizontal sections require a 1/4" rise every 12" of travel.

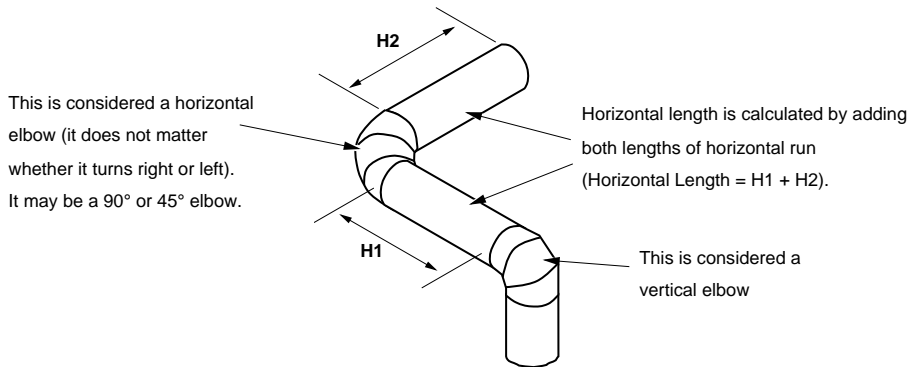
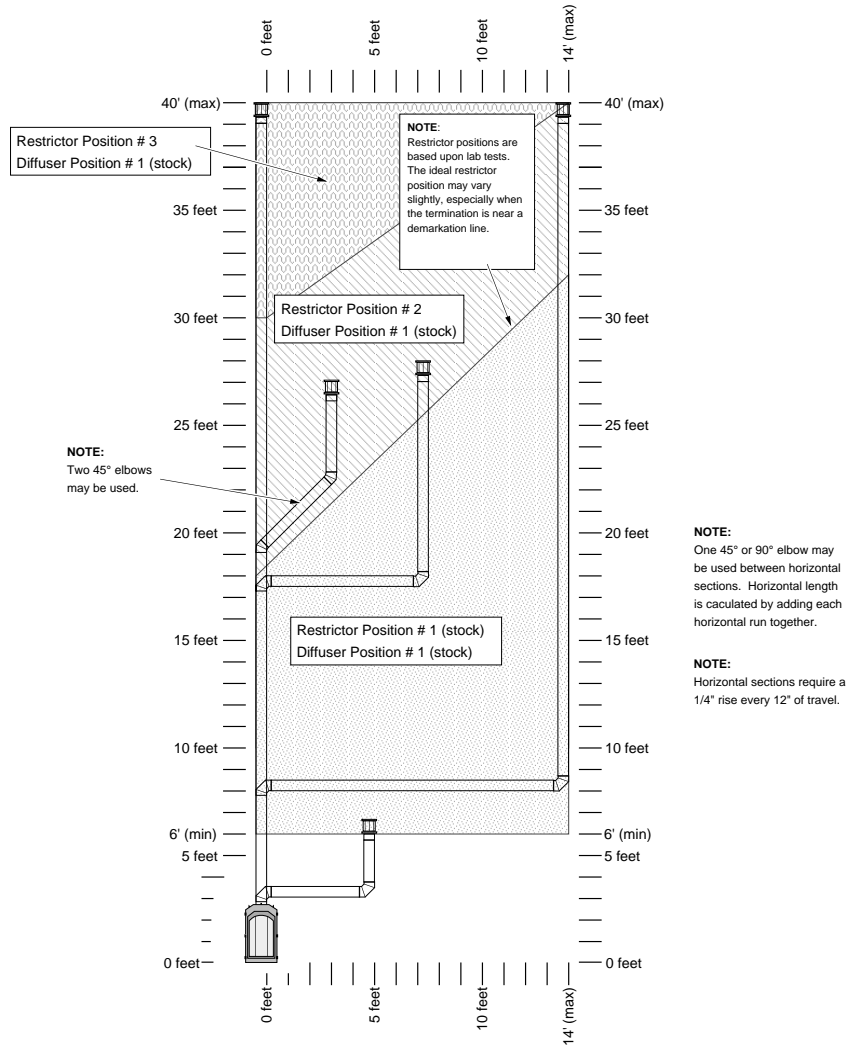
**NOTE:**

Restrictor positions are based upon lab tests. The ideal restrictor position may vary slightly.



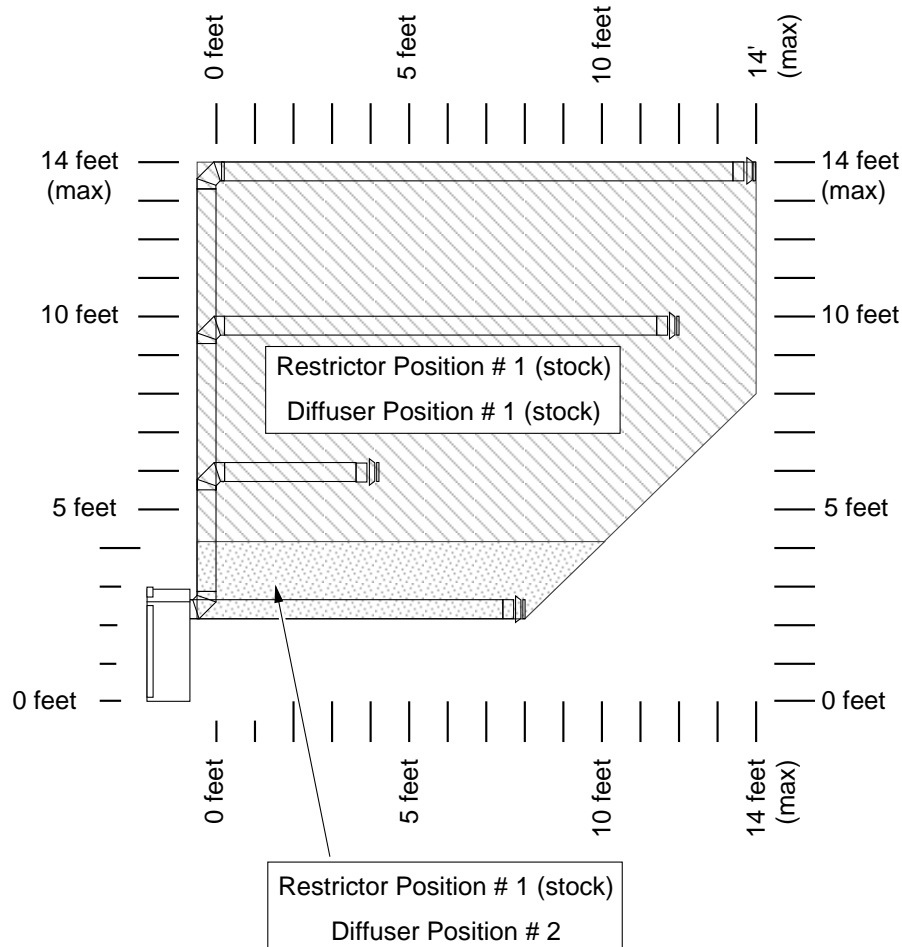
## Top Vent Configuration with Vertical Termination

- The termination must fall within the shaded area shown in the chart. Use the indicated restrictor and diffuser positions.
- Up to four elbows (45° or 90°) may be used.
- Only one horizontal elbow may be used.
- May use 8" or 6-5/8" diameter vent (see page for 25 details).



**Rear Vent Configuration with Horizontal Termination**

- The termination must fall within the shaded area shown in the chart. Use the indicated restrictor and diffuser positions.
- Up to four elbows (45° or 90°) may be used.
- Only one horizontal elbow may be used.
- Use 8" diameter vent.

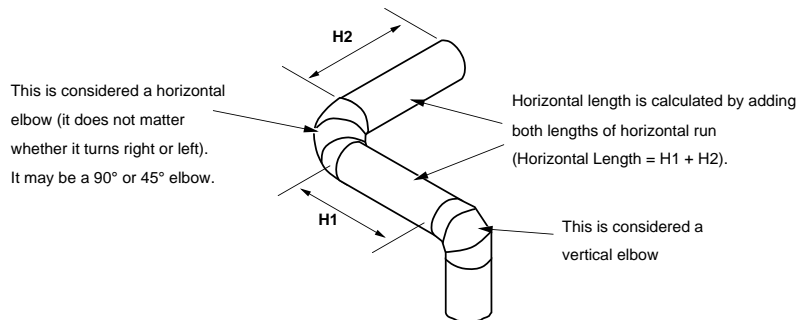


**NOTE:**

Restrictor positions are based upon lab tests.  
The ideal restrictor position may vary slightly.

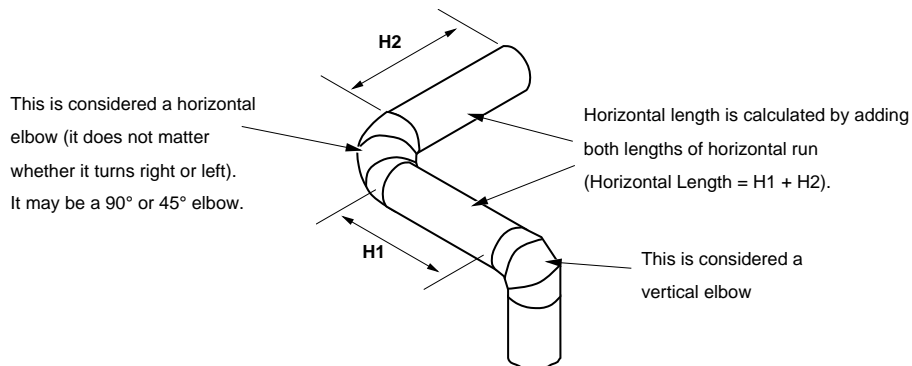
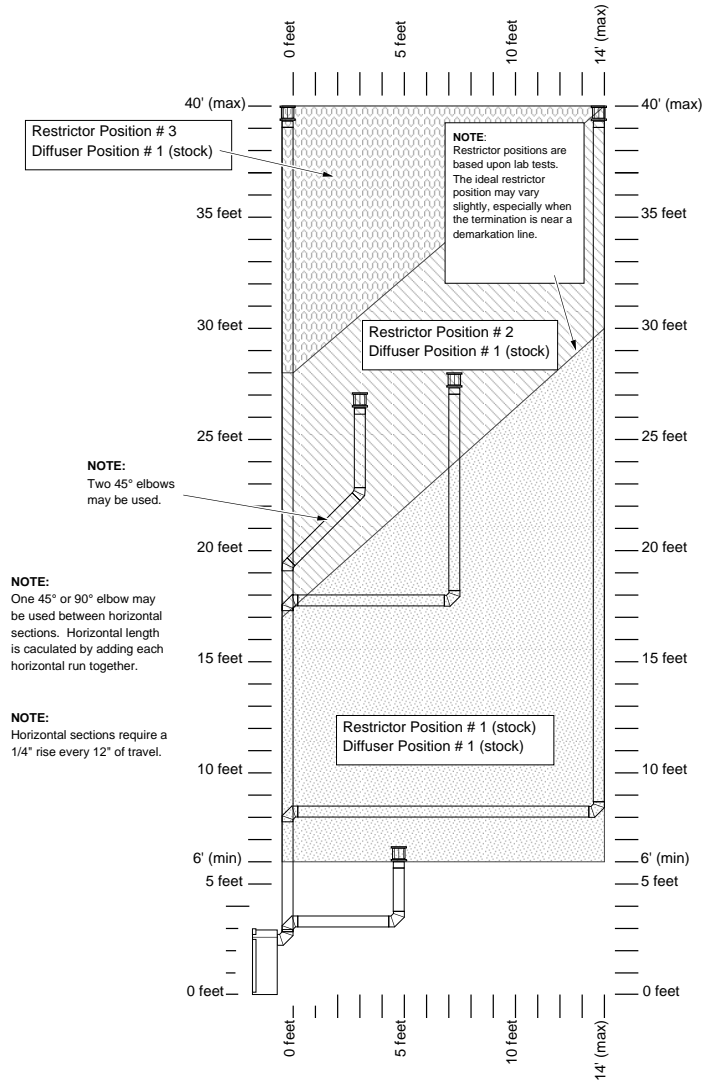
**NOTE:**

Horizontal sections require a 1/4" rise every 12" of travel.



## Rear Vent Configuration with Vertical Termination

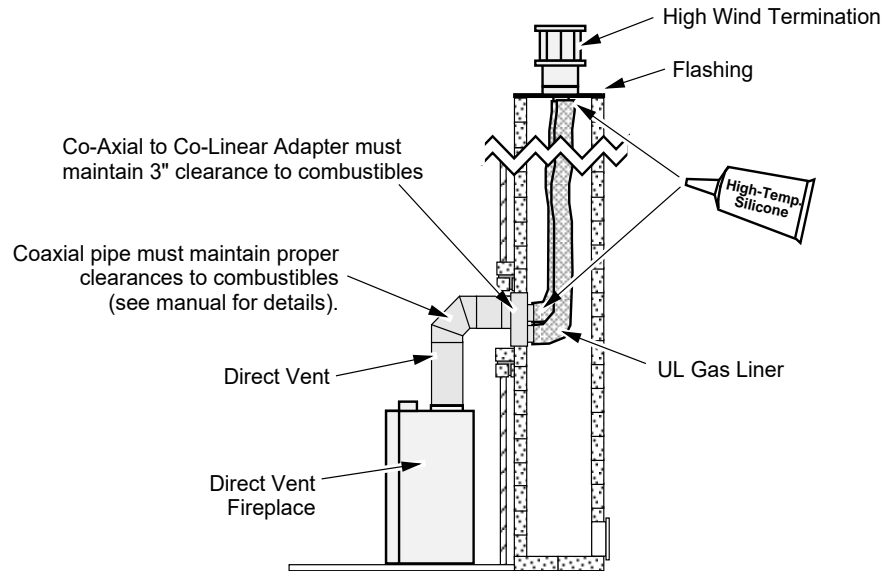
- The termination must fall within the shaded area shown in the chart. Use the indicated restrictor and diffuser positions.
- Up to four elbows (45° or 90°) may be used.
- Use 8" diameter vent.
- Only one horizontal elbow may be used.



## Masonry Chimney Conversions

This appliance may utilize 6-5/8" diameter direct vent manufactured by Duravent (reducer may be required). The vent may be adapted to utilize an existing masonry fireplace using the Duravent Co-Linear Adapter (46DVA-GCL or TCL). The vent must be installed following all directions included with the vent and those listed below:

- All requirements in the appliance manual must be met. This includes compliance with vent configuration charts.
- The restrictor position should be set to the position that most closely resembles the vent configuration. NOTE: because this installation utilizes non-standard vent, the restrictor position may vary. Carefully monitor the burn characteristics to verify correct restrictor position.
- The UL gas liner must only be run through the fireplace/chimney (entire length of liner must be retained within the fireplace/chimney). Do not run the liner near combustibles.



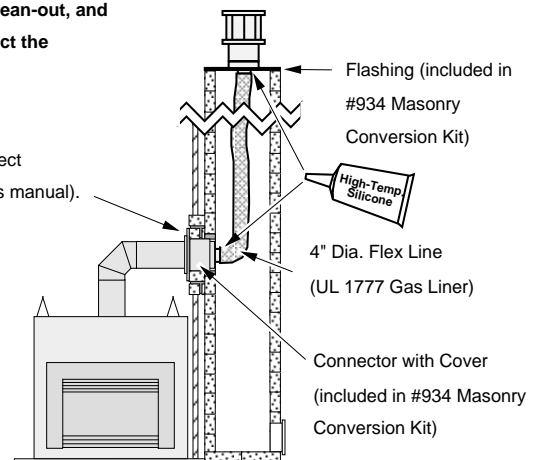
This appliance may utilize 6-5/8" diameter direct vent manufactured by Duravent (reducer may be required). The vent may be adapted to utilize an existing masonry fireplace using the Duravent Masonry Chimney Conversion Kit (part # 46DVA-KCT). The vent must be installed following all directions included with the vent and those listed below:

**NOTE:** Before proceeding with the following installation example, check with the local building jurisdiction to verify that this type of installation is allowed in your area.

- All requirements in the appliance manual must be met. This includes compliance with vent configuration charts.
- The restrictor position should be set to the position that most closely resembles the vent configuration. NOTE: because this installation utilizes non-standard vent, the restrictor position may vary. Carefully monitor the burn characteristics to verify correct restrictor position.
- The UL gas liner must only be run through the fireplace/chimney (entire length of liner must be retained within the fireplace/chimney). Do not run the liner near combustibles.

The entire chimney system must be air-tight.  
Make sure to seal the flashing, clean-out, and thimble connection, and to inspect the chimney.

Make sure the coaxial pipe maintains the correct clearance to any combustible (see the owner's manual).  
The vent must be sealed air-tight.





## Class A Chimney Conversion

DuraVent provides a conversion kit for those wishing to use an existing class A chimney to vent this direct fireplace. The illustration below gives an overview of this type of installation. See the instructions included with the kit for details.

- All requirements in the appliance manual must be met. This includes compliance with vent configuration charts. Remember to set the restrictor position to the correct position (based upon the vertical rise height - see the vent charts in the appliance manual).
- These conversion kits does not work on interior masonry chimneys.
- The measurements below refer to the Chimney Inside Diameter

### Chimney Conversion Kit A (46DVA-KCA)

- 6" DuraTech
- 6" Security Chimney
- 6" Metalbestos
- 6" Jackes-Evans
- 6" Hart & Cooley
- 6" Pro-Jet

### Chimney Conversion Kit B (46DVA-KCB)

- 6" DuraPlus
- 7"-8" DuraTech
- 8" Security Chimneys
- 7"-8" Metalbestos
- 7"-8" Jackes-Evans
- 7"-8" Hart & Cooley
- 7"-8" Pro-Jet
- 6"-7" Amer. Metals
- 6"-7" Metal-Fab
- 6" Air-Jet

### Chimney Conversion Kit C (46DVA-KCC)

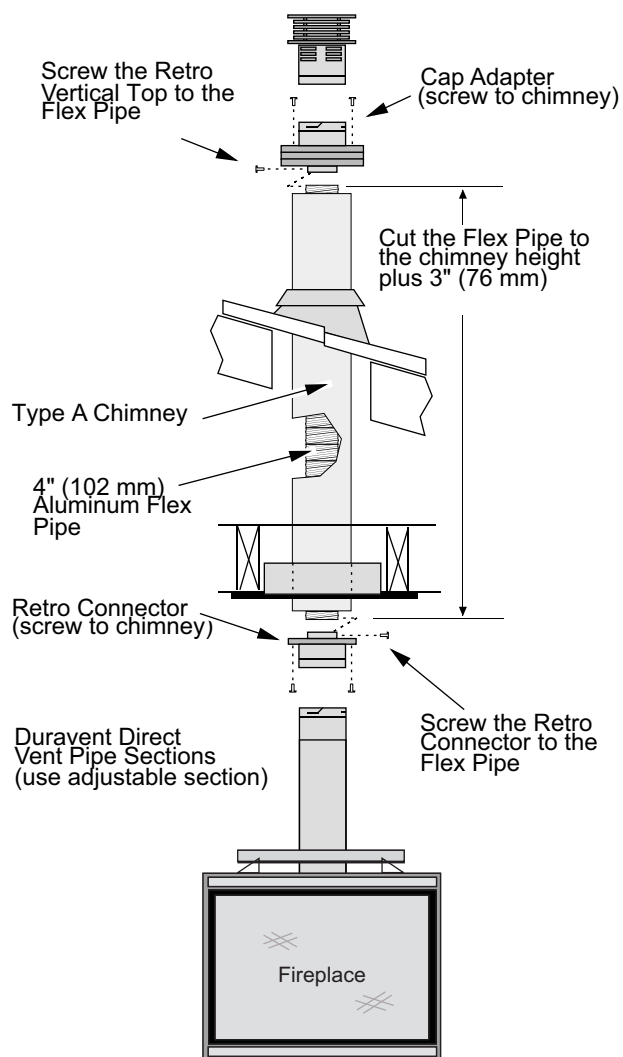
- 7"-8" DuraPlus
- 8" American Metals
- 8" Air-Jet
- 8" Metal-Fab

### Each Kit Contains:

- Cap Adapter
- Retro Connector

### Additional Required Equipment:

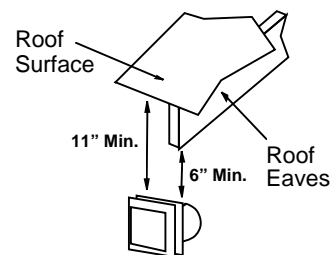
- 4" Flex (#711 or U.L. 1777)
- Termination (46DVA-VCH)
- Co-Axial Sections



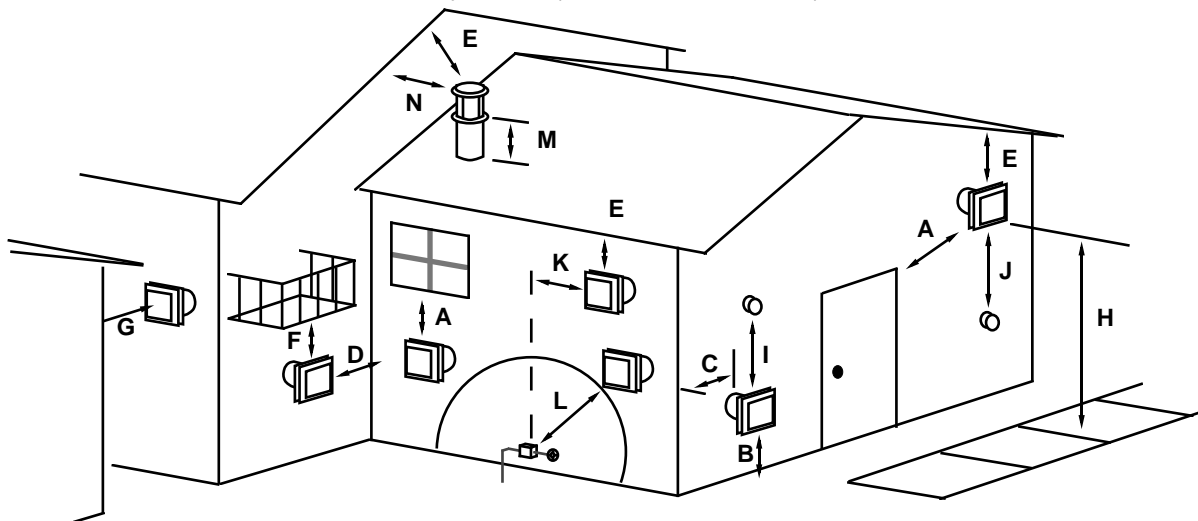
## Termination Requirements

**!** Venting terminals shall not be recessed into a wall or siding.

- A Minimum 9" clearance from any door or window
- B Minimum 12" above any grade, veranda, porch, deck or balcony
- C Minimum 1" from outside corner walls  
**NOTE:** Clearance in accordance with local installation codes and the requirements of the gas supplier.
- D Minimum 1" from inside corner walls  
**NOTE:** Clearance in accordance with local installation codes and the requirements of the gas supplier.



- E Minimum 11" clearance below unventilated soffits or roof surfaces  
Minimum 18" clearance below ventilated soffits  
Minimum 6" clearance below roof eaves  
**NOTE:** Vinyl surfaces require 24"  
**NOTE:** Clearance in accordance with local installation codes and the requirements of the gas supplier.
- F Minimum 12" clearance below a veranda, porch, deck or balcony  
**NOTE:** Permitted only if veranda, porch, deck, or balcony is fully open on a minimum of two sides beneath the floor.  
**NOTE:** Clearance in accordance with local installation codes and the requirements of the gas supplier.
- G Minimum 48" clearance from any adjacent building
- H Minimum 84" clearance above any grade when adjacent to public walkways or driveways  
**NOTE:** may not be used over a walkway or driveway shared by an adjacent building
- I Minimum 9" clearance to any nonmechanical air supply inlet to the building or the combustion air inlet to any other appliance.
- J Minimum 36" clearance above any mechanical air supply inlet if within 10' horizontally
- K Minimum 36" from the area above the meter/regulator (vent outlet) - this extends 15' above the regulator  
**NOTE:** Clearance in accordance with local installation codes and the requirements of the gas supplier.
- L Minimum 36" from the meter/regulator (vent outlet)  
**NOTE:** Clearance in accordance with local installation codes and the requirements of the gas supplier.
- M Minimum 12" above the roof line (for vertical terminations)
- N Minimum 24" horizontal clearance to any surface (such as an exterior wall) – for vertical terminations



**NOTE: Measure clearances to the nearest edge of the exhaust hood.**

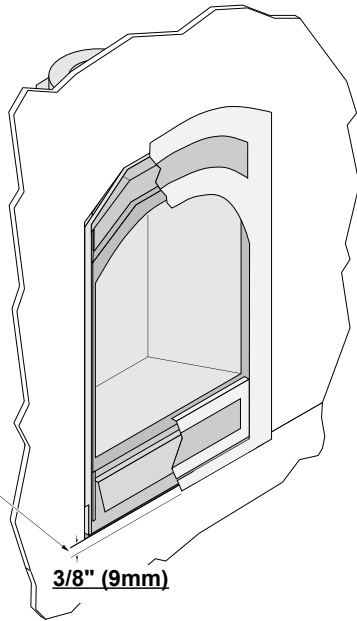
- Use the vinyl siding standoff when installing on an exterior with vinyl siding.
- Vent termination must not be located where it will become plugged by snow or other material.

## Hearth Requirements

### **Make Sure the Fireplace is Raised a Minimum 3/8" (9mm)**

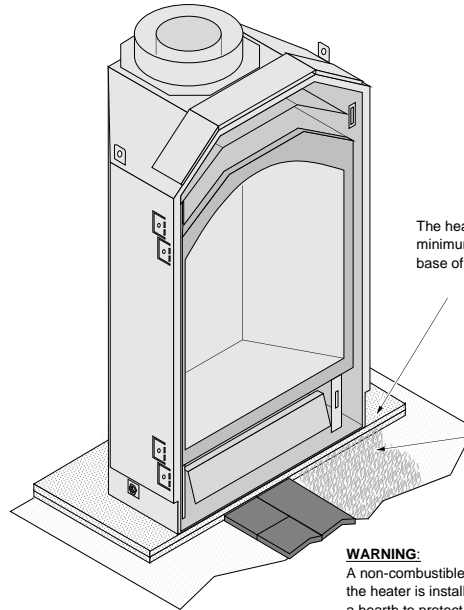
! Faces, when installed, extend 3/8" (9mm) below the base of the fireplace. Make sure the fireplace is raised appropriately to allow for face installation.

**The face extends 3/8" (9mm) below the base of the fireplace.**



**3/8" (9mm)**

### Floor Mounted Fireplaces



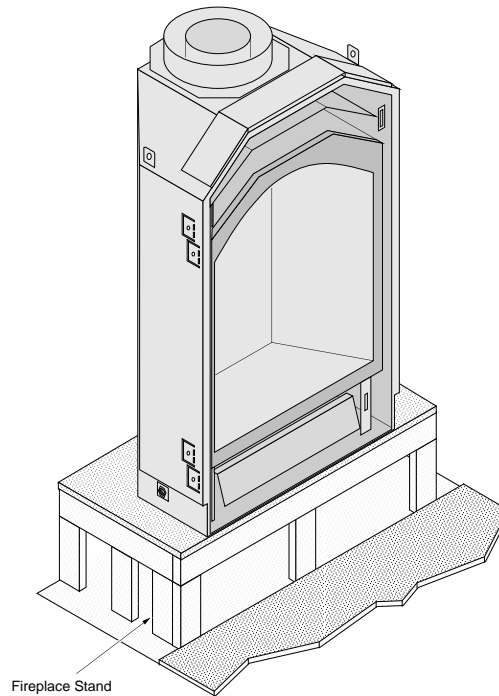
The hearth must be a minimum 3/8" (9mm) below the base of the fireplace.

Fireplace must be raised a minimum 3/8" (9mm) so the base of the unit is above the carpet surface or flooring material.

**WARNING:**

A non-combustible hearth is not required. However, if the heater is installed next to the floor, we recommend a hearth to protect the flooring surface from discoloration or other negative impact from the heater.

### Raised Fireplaces



Fireplace Stand

**Facing Requirements**

- This appliance is designed to allow for drywall (or other combustible facing) to contact the sides and top of the front of the fireplace.
- The nailing brackets (see page 17) provide 1/2" or 7/8" offset to allow for facing installation.
- Any facing that extends in front of the faceplate on the sides or top must be non-combustible.  
**NOTE:** A 3/8" gap above the face is required for face installation.

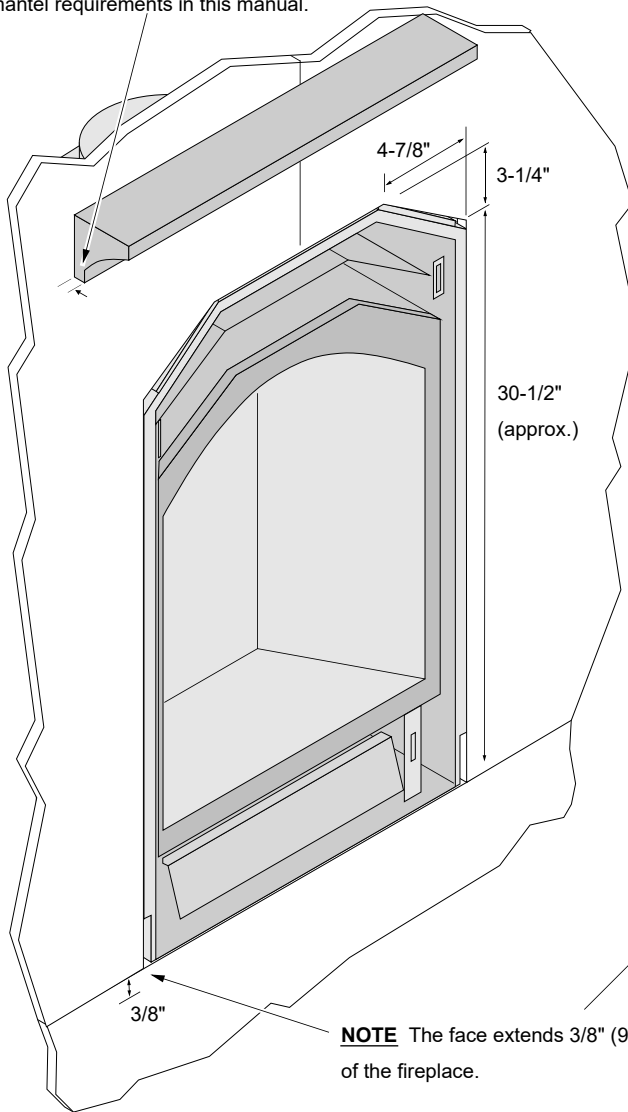
**Face Dimensions**

Face	Height	Width	Bottom of Face	Installation Notes
Arched Faces	35.875"	21.125"	Extends 0.375" below base of fireplace	Arched top is 25.75" radius

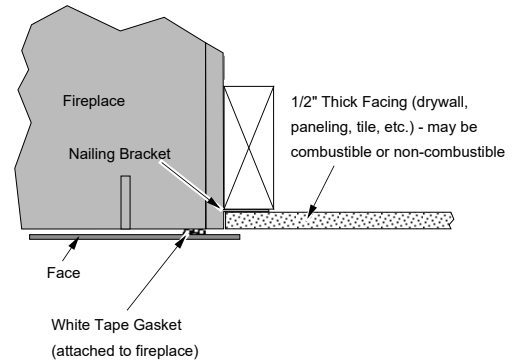
**Facing Detail – Drywall (or other 1/2" thick facing)**

- The illustration below shows the nailing brackets in the 1/2" position.

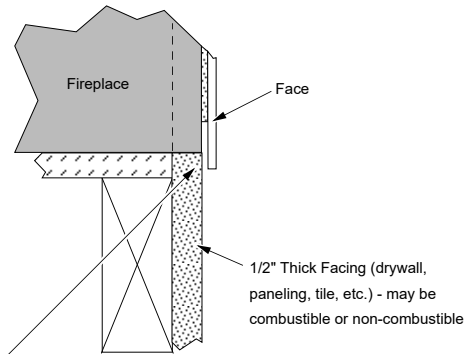
Any material that protrudes more than 3/4" in front of the facing is considered a mantel and must meet the mantel requirements in this manual.



**Top View**



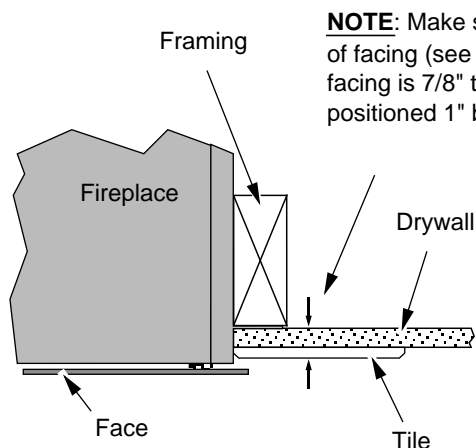
**Side View**



## Facing Detail – Tile Facing

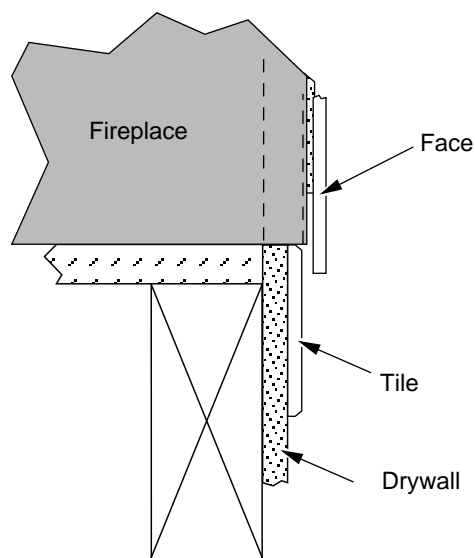
- The nailing brackets (see page 17) provide 1/2" or 7/8" offset to allow for facing to be installed. The illustration below shows the nailing brackets in the 7/8" position.

### Top View - Tile Facing



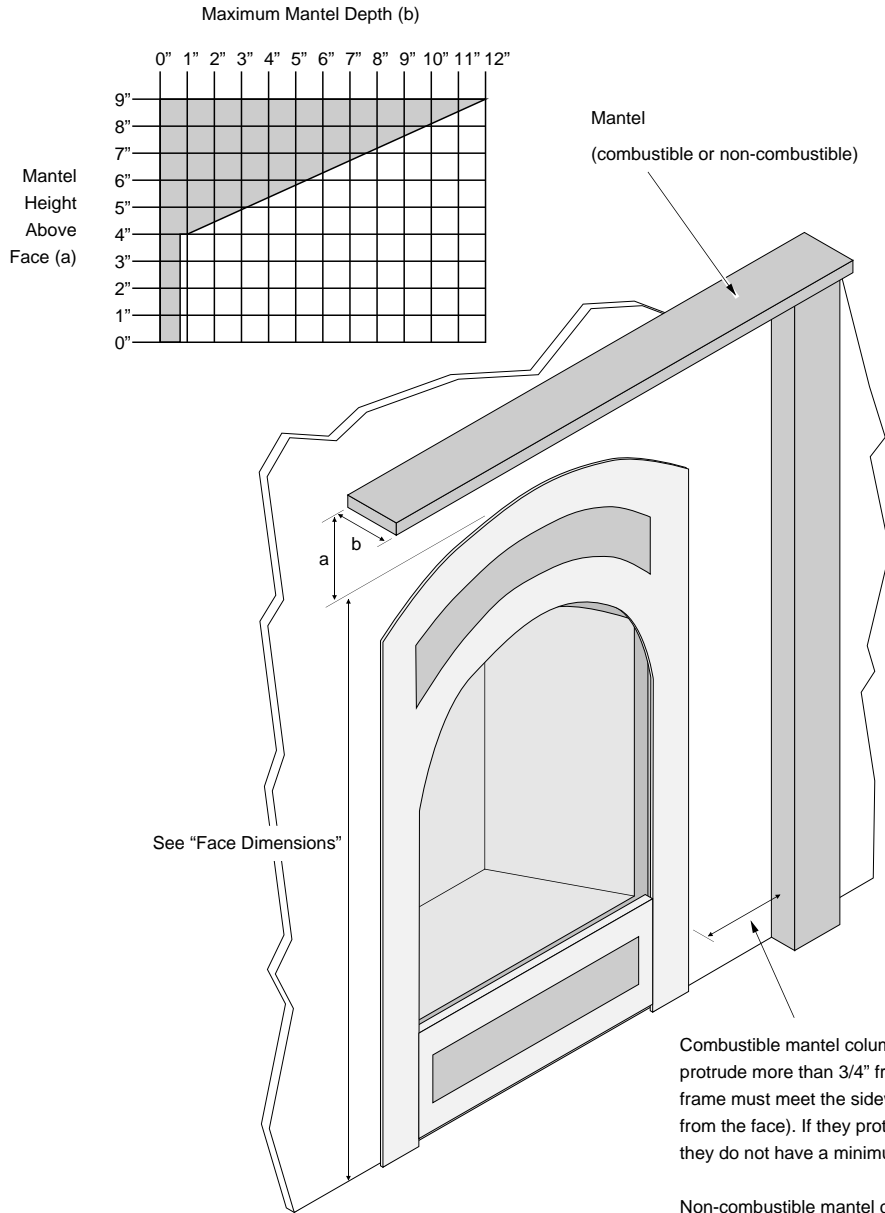
**NOTE:** Make sure to use the correct nailing bracket for this type of facing (see "Nailing Bracket" for details). For this example the facing is 7/8" thick (3/8" tile plus 1/2" drywall). The framing is positioned 1" behind the front of the fireplace.

### Side View - Tile Facing



**Mantel Requirements**

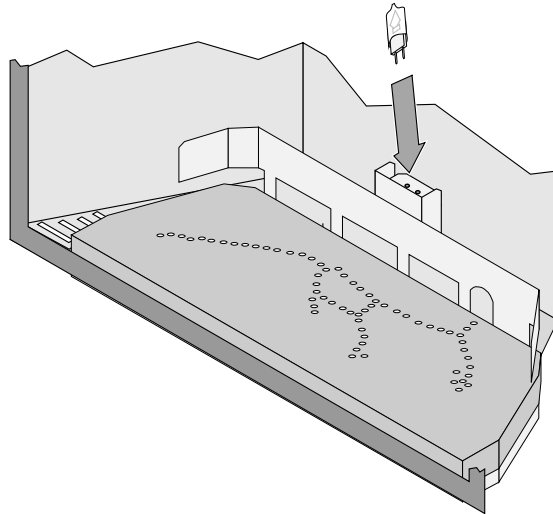
- Use the table below to determine the maximum mantel depth allowed. The mantel depth (measured from the face of the fireplace) must fall in the shaded portion of the table.
- Any material that protrudes more than 3/4" from the non-combustible facing is considered a mantel and must meet the mantel requirements.



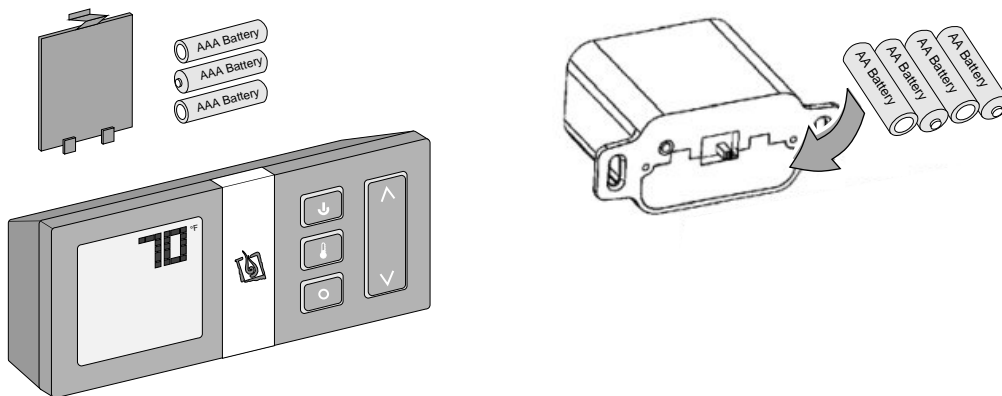
If you have a tapered mantel, measure the mantel height at the point where it protrudes 3/4" in front of the face.

## Steps for Finalizing the Installation

1. Remove the glass (see page 41).  
**NOTE:** If using propane (LP) convert the appliance prior to installing the logs.
2. We recommend you purge the gas line at this time (with the glass removed). This allows gas to be detected once it enters the firebox, ensuring gas does not build up.
3. Make sure the accent light bulb is in place.  
**NOTE:** Take care to not touch the bulb with your fingers (use a cloth or paper towel).



4. Install the four AA batteries (see illustration below). The AA batteries act as a power backup in case the household (AC) power goes out and are required for operation. Install three AAA batteries into the remote (see illustration below). Synchronize the transmitter to the IFC (see the Owner's Manual for details).



5. Install the logs (see page 44).
6. Replace the glass.
7. Start the heater.
8. Leak test all gas joints.
9. Check the air shutter following the directions below.

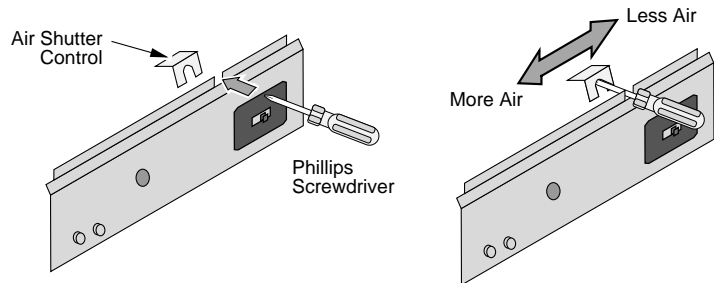
### Air Shutter Adjustment

Let the heater burn for fifteen minutes (make sure the logs and glass are in place). The flames should be yellow with no sooting. Adjust the air shutter, if necessary, to achieve the correct looking flame.

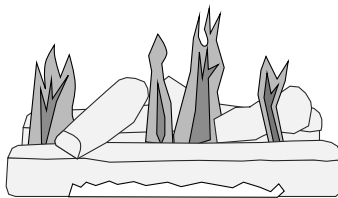
#### ADJUSTING THE AIR SHUTTER

Moving the air shutter control to the right gives the flame less air (closed) - making it more orange. Moving it to the left gives the flame more air (open), making it more blue. For fine adjustments use a screwdriver to tap the air shutter.

**NOTE:** If the air shutter is all the way open, yet the flames remain sooty, shut off gas to the fireplace and contact a qualified gas service technician.

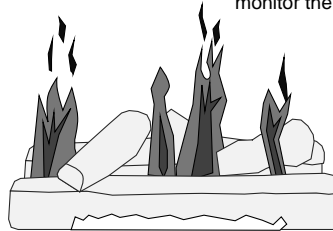


**NOTE:** The logs must be installed correctly to monitor the flame while adjusting the air shutter.



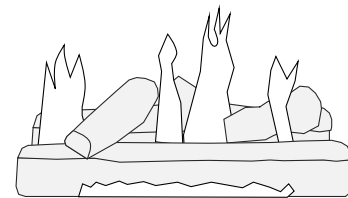
**Correct**

Flames should be blue at the base, yellow-orange on the top.



**Not Enough Air**

If the flames are too tall or sooty on the ends, open the air shutter.

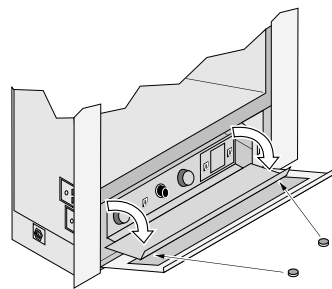


**Too Much Air**

If the flames are all blue and short, close the air shutter.

10. Turn the flame adjust knob to its highest position - the flames should not contact the top of the firebox. Check the flame on low position. The flames should burn off of each burner hole. If the heater does not work correctly, contact your Travis dealer for a remedy.

#### FELT TABS FOR CONCEALMENT COVER



Certain faces may contact the concealment cover when it is open. Place the two felt tabs (included in owner's pack) on the concealment cover

11. Give this manual to the home owner for future reference and fully explain operation of this heater. For comprehensive operating and maintenance instructions, refer to the Owner's Manual (part # 100-01305).

**ACID WASH WARNING:** Before installing the faceplate, make sure any masonry that has been treated with acid wash has been properly neutralized (this is used primarily with brick faces). Acid wash (muriatic acid) is used to remove excess mortar. If not properly neutralized with an ammonia solution, the plated face may develop a permanent tarnish when the acid evaporates over time. Contact your dealer if uncertain your facing has been properly neutralized.



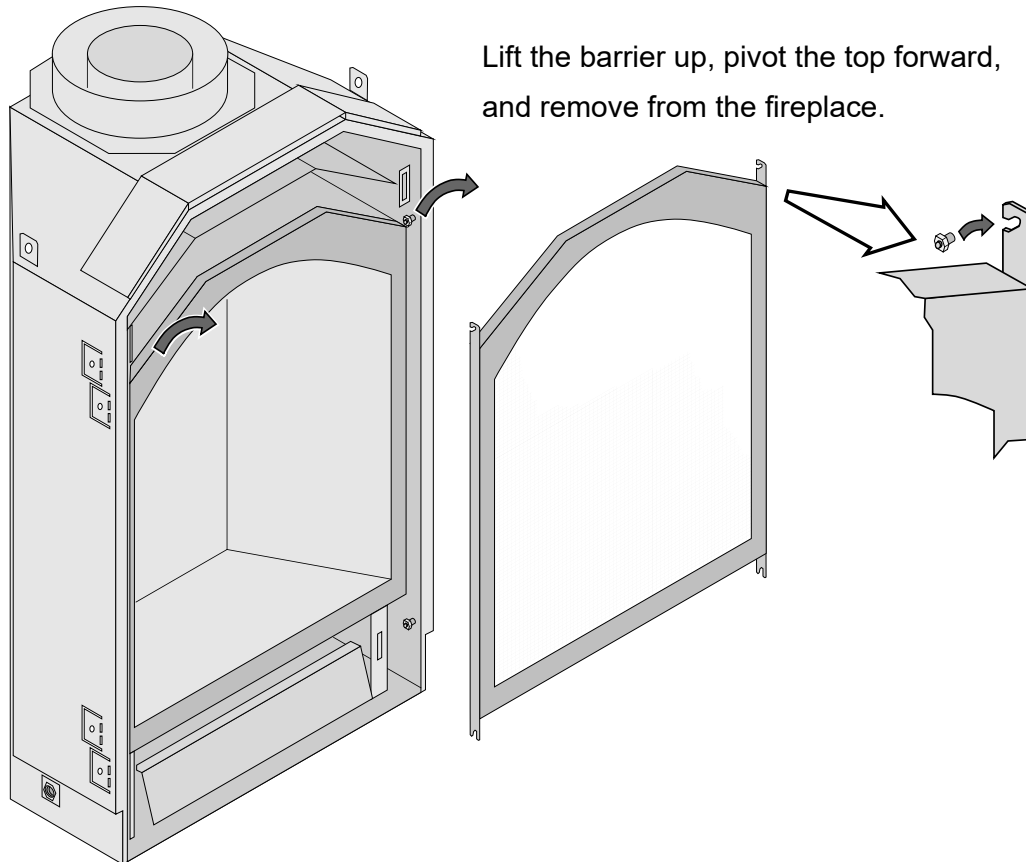
## Barrier Removal



A barrier designed to reduce the risk of burns from the hot viewing glass is provided with this appliance and shall be installed for the protection of children and other at-risk individuals.



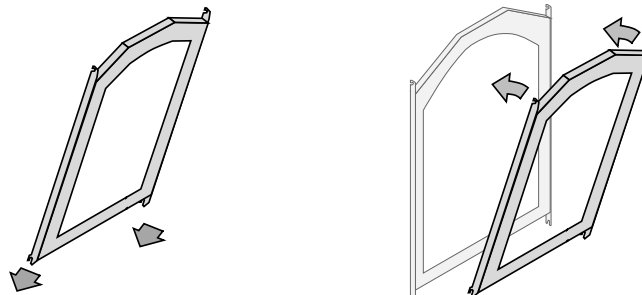
If the barrier becomes damaged, the barrier shall be replaced with the manufacturer's barrier for this appliance.



Lift the barrier up, pivot the top forward, and remove from the fireplace.



**HINT FOR REPLACING THE BARRIER:** Hold the barrier at an angle and insert the bottom slots first. Then pivot the barrier forward to engage the top hooks.



## 42 Finalizing the Installation (for qualified installers only)

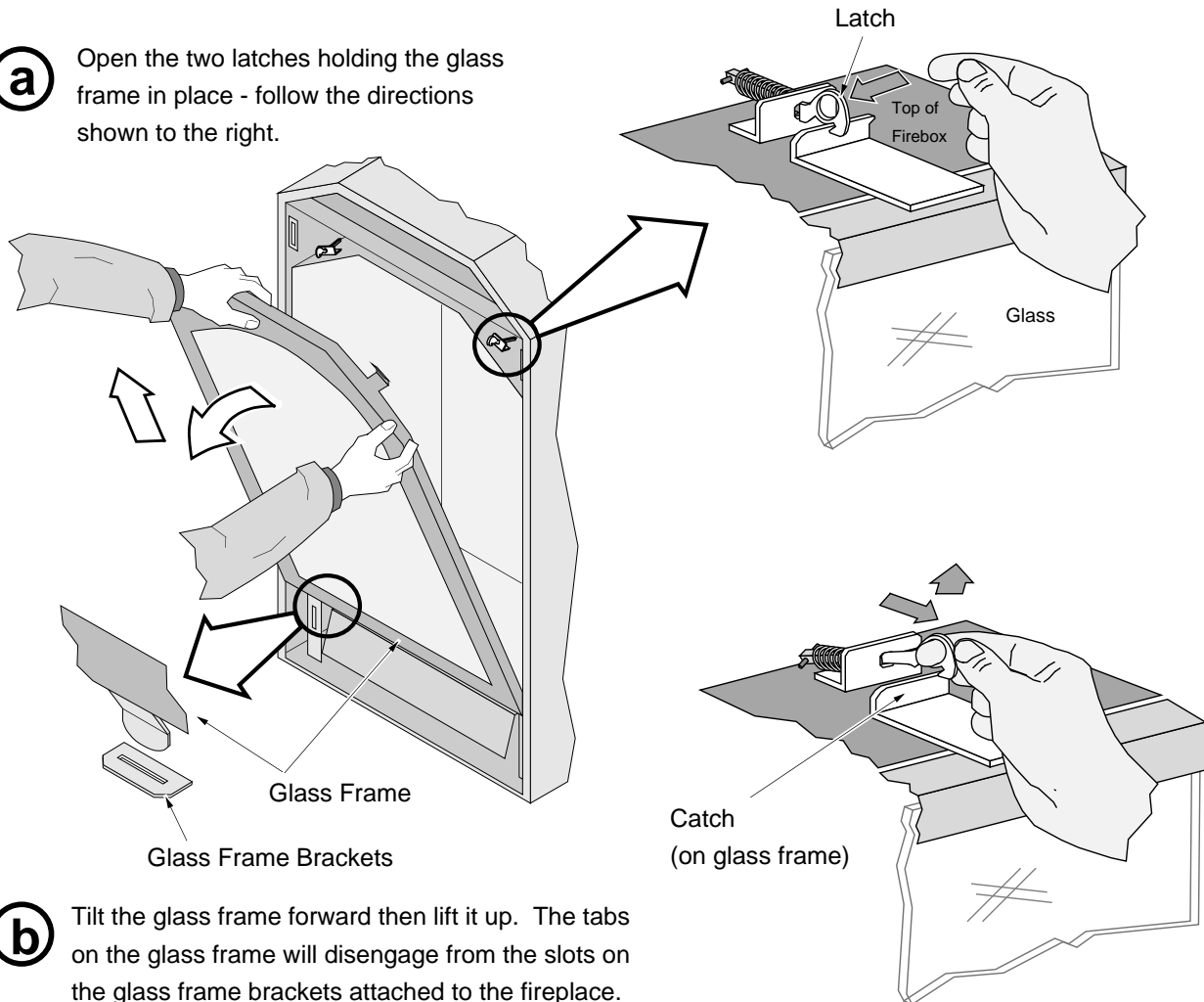
### ***Glass Frame Removal and Installation***

**Warning:** The appliance must be completely cool before removing the glass.

**Warning:** Do not strike or slam the glass.

**Note:** Remove the barrier before removing the glass (see previous page). Replace barrier after replacing the glass.

- a** Open the two latches holding the glass frame in place - follow the directions shown to the right.



- b** Tilt the glass frame forward then lift it up. The tabs on the glass frame will disengage from the slots on the glass frame brackets attached to the fireplace.

#### **Re-Attaching the Glass Frame:**

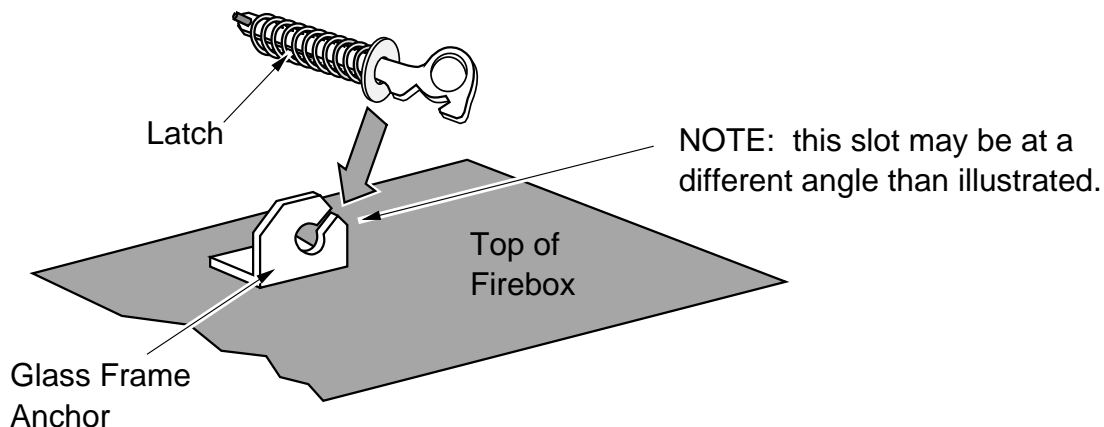
- Tilt the glass frame as shown above.
- Insert the tabs on the glass frame into the slots on the glass frame brackets (attached to the fireplace).
- Attach the two glass latches.

**NOTE:** Make sure the glass frame is all the way in place - it should be flush with the front of the fireplace when installed.

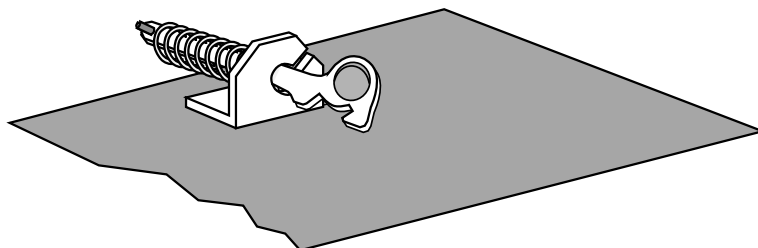
## Glass Frame Removal and Installation (continued)

The latch can come loose from glass frame anchor. This occurs when it is turned 1/4 turn when it is disengaged. Follow the directions below to re-install the latch if it becomes loose.

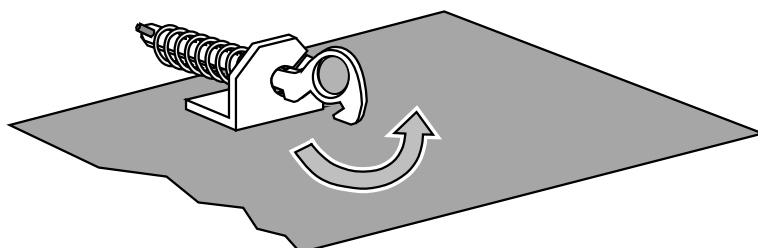
Hold the latch at an angle and insert it into the slot on the glass frame anchor.



Note how the washer on the latch fits behind the flange on the glass frame anchor.



Once fully inserted, turn the latch until it is upright.

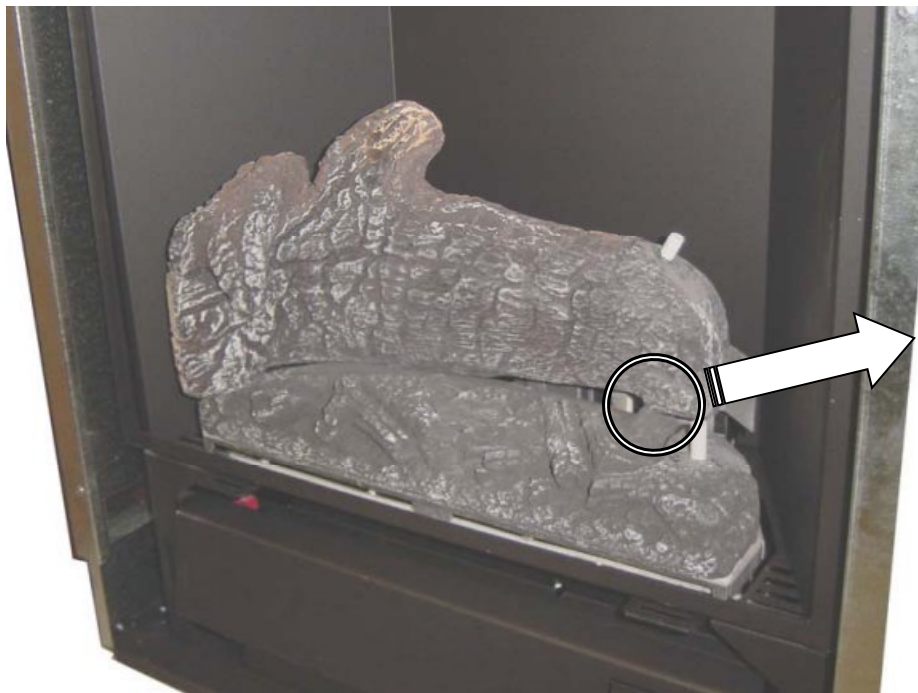


## 44 Finalizing the Installation (for qualified installers only)

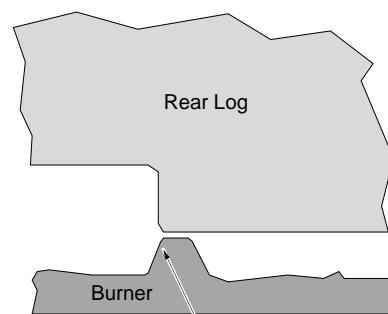
### ***Log Set Installation***

#### **Rear Log Installation**

Place the rear log with the left side flush to the edge of the burner and the right side flush to the metal deflector on the back edge of the burner. The bottom edge of the log should be located behind the burner ports (see the illustration below).



CROSS-SECTIONAL VIEW



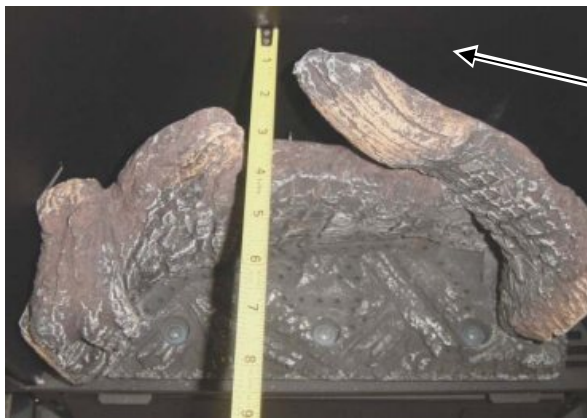
Make sure the ledge on the burner lines up with stepped-down portion of the rear log.

## Right Log Installation

The right log has two holes that accept the pins on the burner and rear log. When placed correctly there will be a minimal gap between the two logs. Make sure the bottom is placed so no burner ports are blocked and there is a gap to the back wall.



**VIEW  
FROM  
ABOVE**



**NOTE:** Make sure the right log does not rest against the back of the firebox (or liner). If it does, it will block light from the accent light, creating a large shadow. You may need to re-adjust the logs to insure a  $\frac{3}{4}$ " gap from the back.

## Right Twig Installation

The right twig rests on the burner and leans against the indent on the right log. Install the twig as shown below. The bottom of the twig is placed one inch to the right of the center screw on the burner.

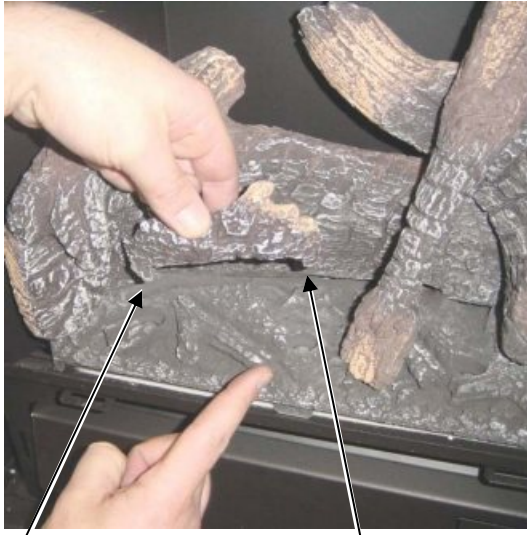




## 46 Finalizing the Installation (for qualified installers only)

### Left Twig Installation

Place the left twig as shown below. Note how the twig has two protrusions that insert into the screw-holes on the burner. Make sure the twig does not block any burner holes. Place an ember of the remaining screw hole.



The two projections on the bottom of the twig insert into the screw holes on the burner.



Place an ember over this screw.

### Log Installation Overview

Correct view of complete log installation.



Place embers in the firebox corners and along the front edge of the burner. Do not place embers over burner holes or allow the embers to block airflow.

## LP Conversion Instructions

**The GSR Stepper Motor Kit (SKU 94400999) is required for converting this appliance to LP. The kit contains the stepper motor (regulator), torx wrench, and pilot orifice.**

### **WARNING**

This conversion kit shall be installed by a qualified service agency in accordance with the manufacturer's instructions and all applicable codes and requirements of the authority having jurisdiction. If the information in these instructions is not followed exactly, a fire, explosion or production of carbon monoxide may result causing property damage, personal injury or loss of life. The qualified service agency is responsible for the proper installation of this kit. The installation is not proper and complete until the operation of the converted appliance is checked as specified in the manufacturer's instructions supplied with the kit.

### **CAUTION:**

The gas supply shall be shut off prior to disconnecting the electrical power, before proceeding with the conversion.

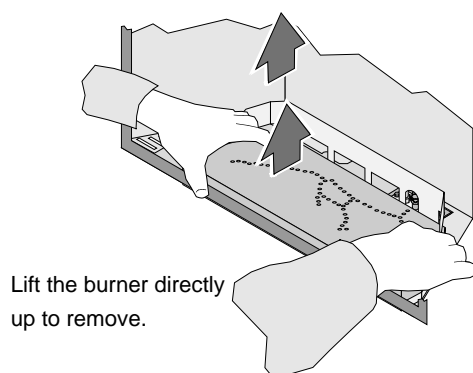
### **IMPORTANT:**

A converted appliance must have a label attached marked with the following:

"This appliance was converted to \_\_\_\_ gas with Kit No. \_\_\_\_ by \_\_\_\_ (name and address of organization making the conversion), which accepts the responsibility that this conversion has been properly made. This control has been converted for use with gas \_\_\_\_."

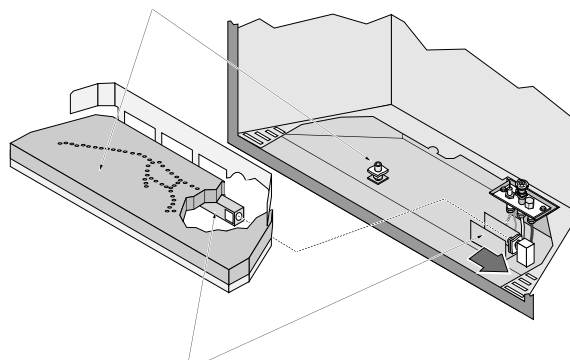
### **Install the conversion kit prior to installing the gas line to ensure proper gas use.**

- 1 Remove the glass (see page 39). Remove the logs and embers (if installed - page 44)
- 2 Remove the burner following the directions below.



### **Burner Replacement:**

Make sure the burner manifold inserts over the front (left) orifice.

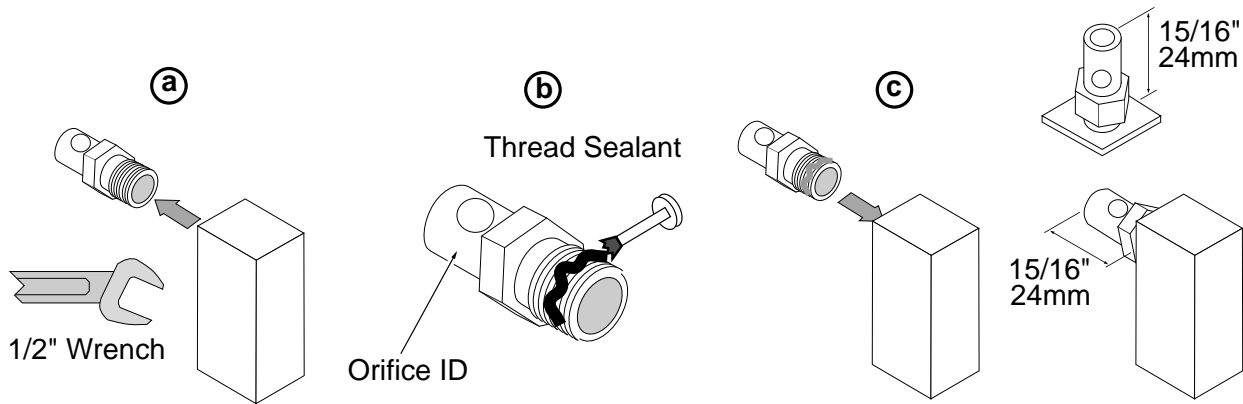
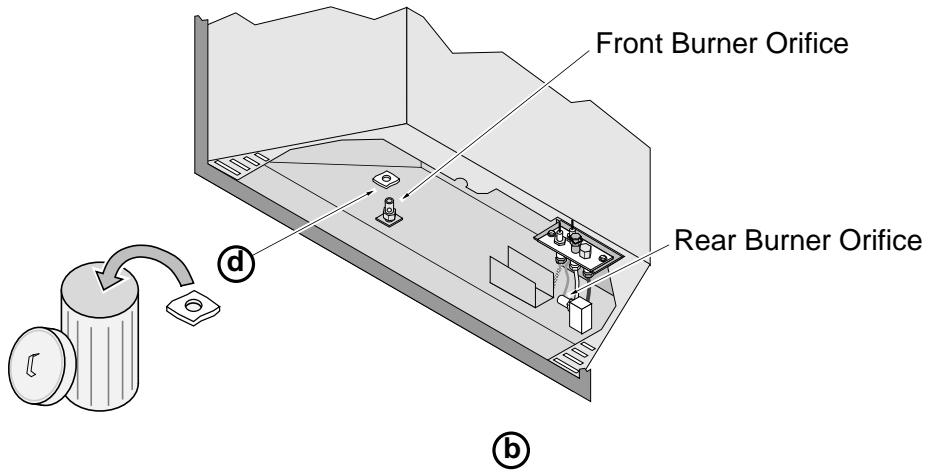


Make sure the burner is fully seated and pilot hood lines up with the burner holes at the rear edge of the burner.

# 48 Finalizing the Installation (for qualified installers only)

3 Install the LP (propane) orifices.

**NOTE:** Remove and discard the front burner orifice gasket (see "d" below).

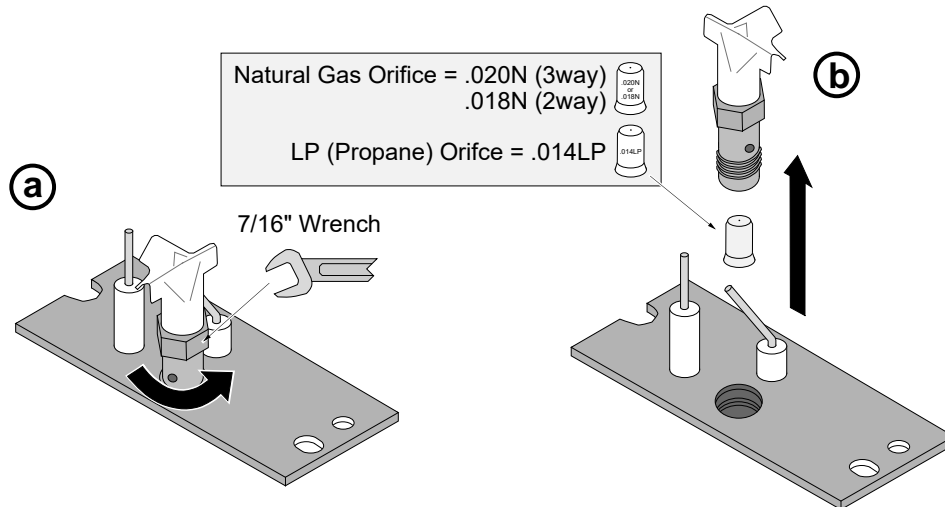


<b>ORIFICE SIZE (ID)</b>	Natural Gas	LP (Propane)
Front Burner Orifice	#55 DMS	#66 DMS*
Rear Burner Orifice	#55 DMS	#67 DMS*

\*Orifice is non-standard (cross-drilled for air dilution).

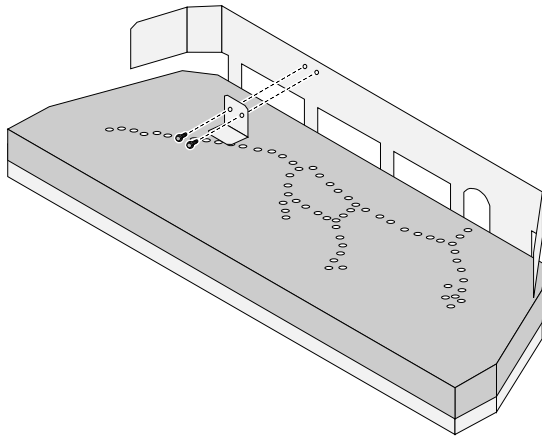


- 4 Install the LP pilot orifice following the directions below.
  - (a) Use a 7/16" open-end wrench to remove the pilot hood.
  - (b) Remove and discard the Natural Gas (NG) orifice. Place the LP orifice in the pilot assembly then replace the pilot hood, tightening the pilot hood until it is snug (do not over-tighten).



## 50 Finalizing the Installation (for qualified installers only)

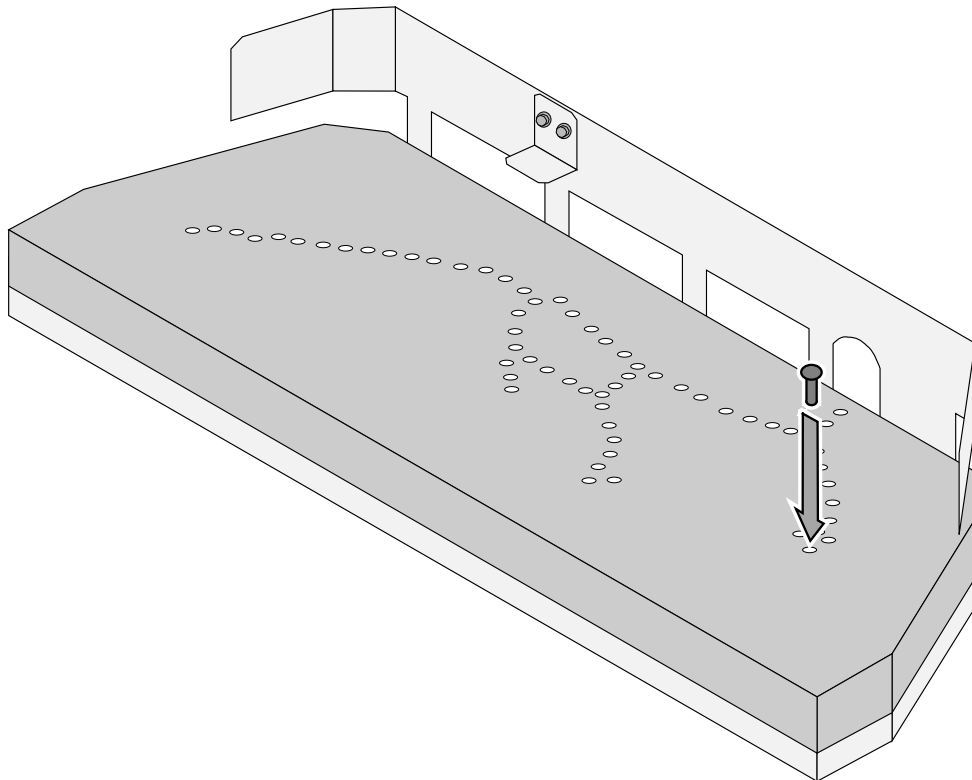
- 5 Attach the rear log bracket to the burner as shown below (use the two included screws).



**NOTE:** When placing the log, make sure the back edge rests on the bracket, elevating it above the burner.



- 6 Place the included rivet into the far right burner hole as shown below.

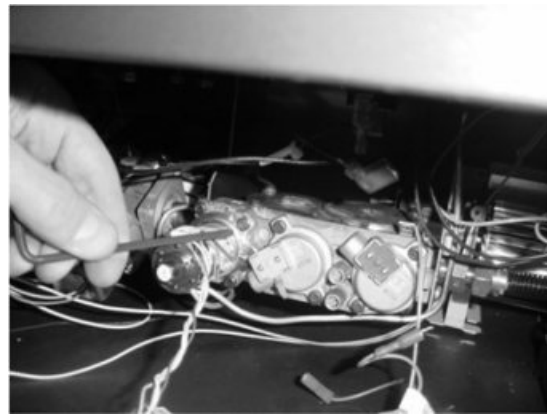


- 7 Replace the firebox components. Install the logs and embers. Replace the glass.

- 8 Remove the control cover to access the gas control valve. Disconnect the NG stepper motor wire from the IFC.



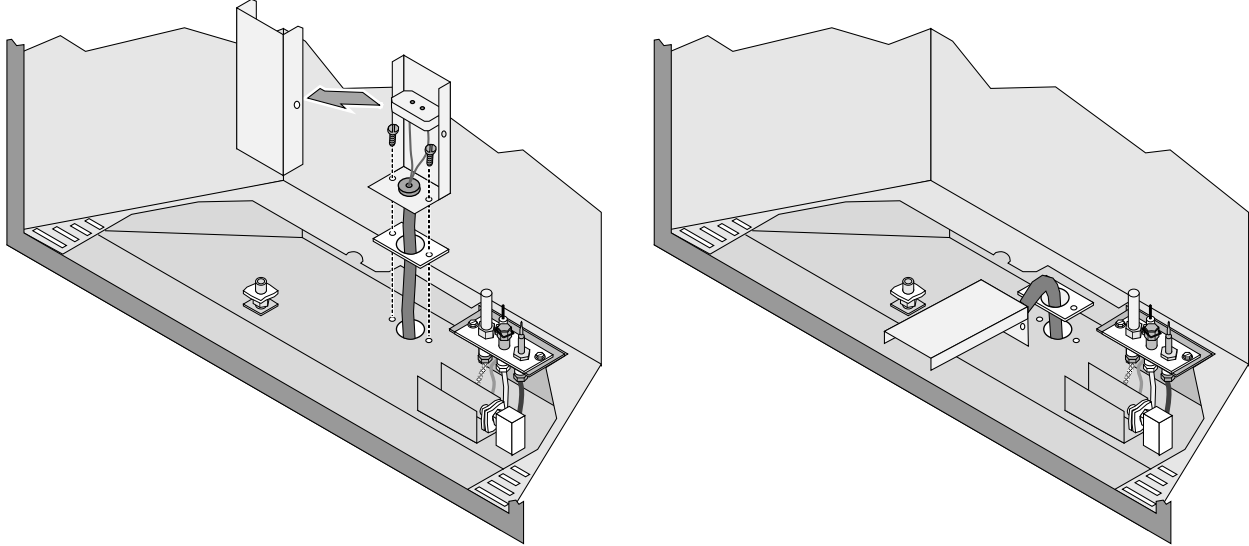
- 9 The stepper motor (adjustable regulator) has an installation sheet included with it – make sure to follow all of the directions. Place the stepper motor on the gas control valve– **MAKE SURE IT IS CORRECTLY ORIENTED.** Secure using the screws included with the motor– tighten to 25 Lb-inches. Leak test this area after installation to verify proper installation.



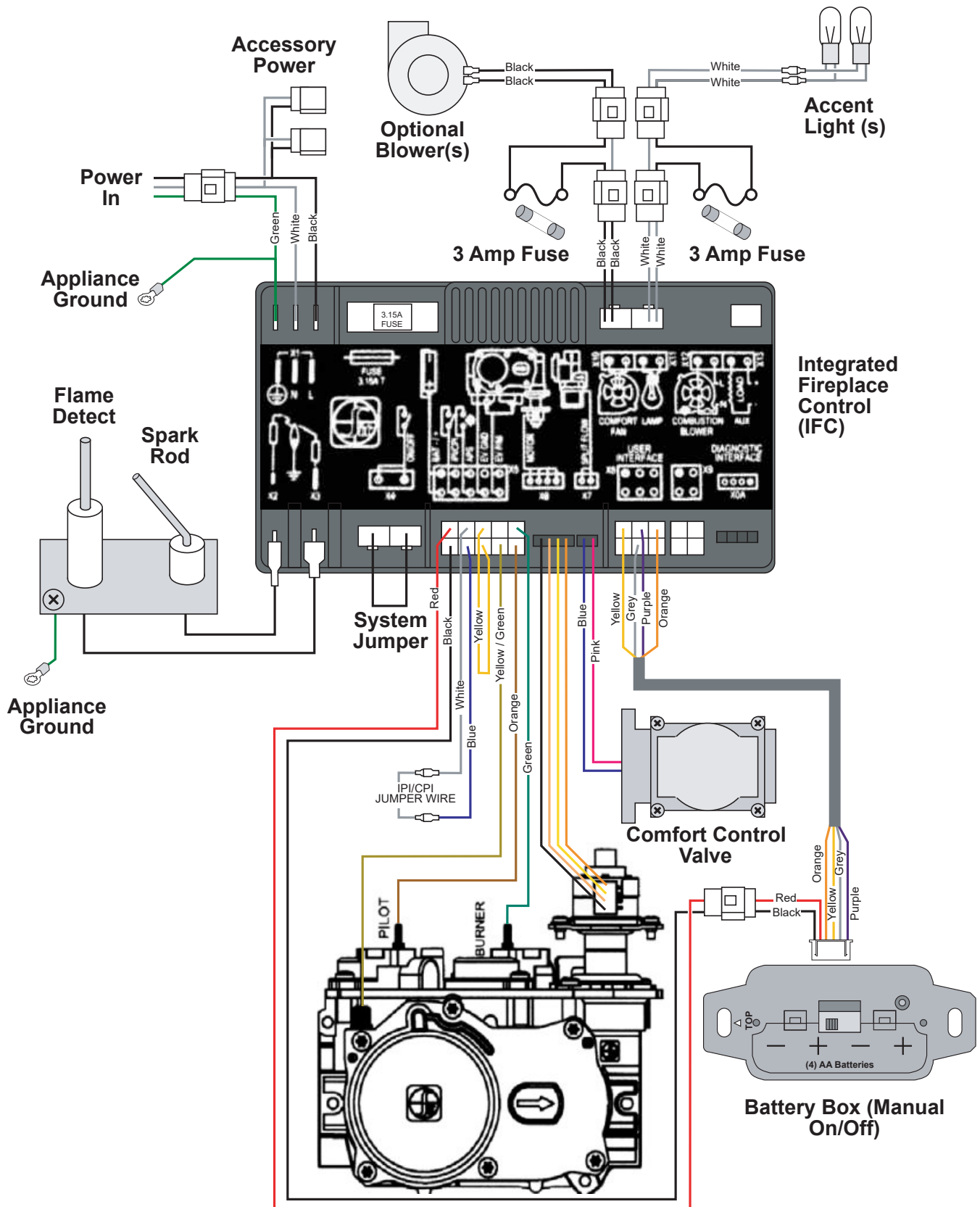
- 10 Restore the appliance to the correct configuration. Make the gas line connection, bleed the gas line (if applicable), start the heater and thoroughly leak-test all gas connections and the gas control valve.

***Liner Installation Addenda***

Before installing the optional liner, the accent light assembly will need to be disconnected and placed on the floor of the firebox (these instructions are not given with the kit). Before installing the liner, remove the burner, disconnect the accent light cover, unscrew the assembly, and rotate it forward out of the way (see illustration below).



## Wiring Diagram



## Index

Additional Items Required .....	7	LP Conversion Instructions .....	47
Approved Vent Configurations .....	26	Mantel Requirements .....	38
Barrier Removal .....	41	Masonry Chimney Conversions .....	32
Class A Chimney Conversion .....	33	Massachusetts Requirements .....	10
Dimensions .....	6	Rear Vent Configuration with Horizontal Termination .....	30
Electrical Connection .....	23	Rear Vent Configuration with Vertical Termination .....	31
Facing Detail – Tile Facing .....	37	Recommended Installation Procedure .....	7
Facing Requirements .....	36	Safety Warnings .....	4
Fireplace Placement Requirements .....	14	Steps for Finalizing the Installation .....	39
Gas Line Requirements .....	21	Termination Requirements .....	33
Glass Frame Removal and Installation .....	42	Top Vent Configuration with Horizontal Termination .....	28
Hearth Requirements .....	35	Top Vent Configuration with Vertical Termination .....	29
Heating Specifications .....	6	Top Vent or Rear Vent Configuration .....	11
Installation Options .....	6	Vent Requirements .....	24
Installation Overview – Rear Vent Configuration .....	9	Wiring Diagram .....	53
Installation Overview – Top Vent Configuration .....	8		
Liner Installation Addenda .....	52		
Log Set Installation .....	44		