

PREMIUM TRADITIONAL GAS FIREPLACES

FIREPLACE
XTRORDINAIR



The Right Fireplace Company For You

"For over forty years, we have been passionate about the science and art behind making beautiful fireplaces for homes in North America.

We utilize the finest materials and subject them to vigorous testing standards to make fireplaces that stand up to the rigors of time. These fireplaces are the best money can buy.

We have a worldwide reputation for award-winning innovations in fireplace design, and yet the most significant recognition to me is when a family entrusts us to be their fireplace of choice.

Take your time, enjoy looking through this catalog and keep the home fires burning."



A handwritten signature in black ink, appearing to read "Kurt W. F. Rumens".

Kurt W. F. Rumens,
President & Director of Product Design
Travis Industries, House of Fire



Choosing the Right Fireplace Model for Your Home

Fireplace Xtrordinair® offers eleven extraordinary models of premium traditional gas burning fireplaces, with dozens of beautiful designer faces and fireback combinations to personalize your fireplace. While every one of these fireplaces embody the same attention to detail in design and construction, each fireplace is quite unique. Sizing and heating capacity range from the petite Bed & Breakfast® to the enormous 4237 fireplace.

Beauty Is Not Optional

All models are available with a wide range of designer faces and grills to personalize the look of your fireplace. Most models offer a "clean face" choice as well, which closely replicates the look of a traditional masonry fireplace with very little metal around the fireviewing glass.

Powerful Heaters

Our premium gas fireplaces are designed to provide radiant heat through the huge fireviewing glass and natural convection through the heat exchanger. This provides the most efficient way possible to keep your home warm and comfortable.

No Power? No Problem!

All Fireplace Xtrordinair® fireplaces will work in a power outage with only one exception: if utilizing the Power Exhaust Vent, electricity is required to operate the fireplace.

Innovations

We are known the world over to be the most creative group of innovators and designers, bringing life to innovations such as:

- Ember-Fyre® Burner (page 8)
- CoolSmart TV Wall™ (pages 28-29)
- GreenSmart® (pages 36-37)

B & B TRV - INTIMATE PAGES 6-9



Bed & Breakfast® TRV Deluxe

- Small fireplace
- Heats up to 650 sq. ft.
- Top or rear vent
- Choice of designer faces

16,500 BTUs

564 COLLECTION



564 TRV 25K Deluxe

- Medium fireplace
- Heats up to 1,250 sq. ft.
- Top or rear vent
- Choice of designer faces

25,000 BTUs

BEDROOMS & FAMILY ROOMS PAGES 10-15



564 TRV 25K Clean Face Deluxe

- Medium fireplace
- Heats up to 1,250 sq. ft.
- Top or rear vent
- Decorative trim

25,000 BTUs



564 TV 35K Deluxe

- Medium high output fireplace
- Heats up to 1,700 sq. ft.
- Top vent
- Choice of designer faces

35,000 BTUs



564 TV 35K Clean Face Deluxe

- Medium high output fireplace
- Heats up to 1,700 sq. ft.
- Top vent
- Decorative trim

35,000 BTUs

864 COLLECTION



864 TRV 31K Deluxe

- Large fireplace
- Heats up to 1,400 sq. ft.
- Top or rear vent
- Choice of designer faces

31,000 BTUs



864 TRV 31K Clean Face Deluxe

- Large fireplace
- Heats up to 1,400 sq. ft.
- Top or rear vent
- Decorative trim

31,000 BTUs

LARGE GATHERING SPACES PAGES 16-21



864 TV 40K Deluxe

- Large high output fireplace
- Heats up to 2,000 sq. ft.
- Top vent
- Choice of designer faces

40,000 BTUs



864 TV 40K Clean Face Deluxe

- Large high output fireplace
- Heats up to 2,000 sq. ft.
- Top vent
- Decorative trim

40,000 BTUs

4237 TV - GREAT ROOMS PAGES 30-33



4237 TV Deluxe

- Extra large fireplace
- Heats up to 3,000 sq. ft.
- Top vent
- Hand-hammered IronWorks™ Doors

60,000 BTUs



4237 TV Clean Face Deluxe

- Extra large fireplace
- Heats up to 3,000 sq. ft.
- Top vent
- Decorative trim

60,000 BTUs

NOTE:

All fireplaces in this catalog are "Deluxe" models that include the GreenSmart® Remote Control, quiet convection fan, and Accent Lights.



Bed & Breakfast® TRV



564 Collection



864 Collection



4237 TV

Bed & Breakfast® TRV Deluxe Intimate Spaces

- Single Model -

The Bed & Breakfast® Top or Rear Vent (TRV) Deluxe portrait style gas fireplace is designed for intimate spaces such as bedrooms, bathrooms, and kitchens. With a 16,500 BTU maximum input, this fireplace heats up to 650 square feet. The Bed & Breakfast® TRV features high quality ceramic glass and a gorgeous display of fire, with the award-winning Ember-Fyre® Burner.

This **Deluxe** fireplace includes the GreenSmart® Remote Control, rear Accent Lights, and a 90 CFM convection fan. Learn more about our GreenSmart® features on pages 36-37.

- Viewing Area: Ceramic Glass 16 5/8" W x 21 3/8" H (322 Sq. In.)
- Heating Capacity: Up to 650 Sq. Ft.
- BTU Input Per Hour: 6,000 (NG), 5,000 (LP) to 16,500 (NG/LP)
- Steady State Efficiency: Up to 77.94% (NG), 81.71% (LP)
- EnerGuide P4 Efficiency: 67.62% (NG), 71.28% (LP)

This cozy beach cabin features the Bed & Breakfast® TRV Deluxe with the Classic Arch Face and Beehive Brick Fireback.

Bed & Breakfast® TRV Deluxe Gas Fireplace



A quaint Bed & Breakfast overnight stay in the High Sierra Mountains inspired the design for the Bed & Breakfast® TRV fireplace. As the name suggests, the Bed & Breakfast® TRV embodies the beauty and warmth of fire in any cozy space. The tall portrait style of this award-winning fireplace is designed to be showcased off the floor.

The Bed & Breakfast® Features Award-Winning Ember-Fyre® Burner Technology

Is it a Wood Fire or a Gas Fire?



Awarded 'Best of What's New' by Popular Science®

You'll be amazed at the realism of our patented Ember-Fyre® burner technology. Known for its gorgeous, dancing yellow flames and high-definition detailed logs, Ember-Fyre® is the most realistic wood-like gas fire available. The Ember-Fyre® Burner is featured on our Bed & Breakfast® model.®

Our 564 and 864 gas fireplaces feature the Ember-Fyre® II Burner. Ember-Fyre® II represents the next generation of high definition, wood-like Ember-Fyre® Burner technology.

Ember-Fyre® burner is protected by U.S. Patent #6,602,068, #6,443,726 and other patents pending.



Bed & Breakfast® TRV Designer Faces and Firebacks

All faces are 21-1/8" W x 35-7/8" H



Classic Arch™ Black Painted Face



French Country™ Black Painted Face



Artisan™ Charcoal Painted Face



Artisan™ Bronze Patina Face



Fireback Options



Brick Beehive Fireback



Travertine Fireback

564 Collection of Fireplaces Bedrooms & Family Rooms

- Four Models -

The 564 Collection includes four mid-sized fireplace models featuring 564 square inches of glass. BTUs range from 25,000 to 35,000. The size and heating capacities of these fireplaces are perfect for heating individual rooms in the home, such as bedrooms, home offices, and family rooms. All 564 models feature the beautiful Ember-Fyre® II high definition burner, inspired by our award-winning Ember-Fyre® Burner. Learn more about Ember-Fyre® on page 8.

This eclectic sitting room features the 564 TRV 25K Clean Face Deluxe with the Beveled Tile Trim Kit, Birch Log Set, and Stacked Tan Brick Fireback options.



564 TRV 25K Deluxe

- Two Models -

564 TRV 25K Deluxe & 564 TRV 25K Clean Face Deluxe

The shallow firebox design of the 564 TRV 25K takes up less space in your home, which makes installing this fireplace simple. This allows you the flexibility of adding fire to almost any room in your home. This top or rear vent (TRV) 25,000 BTU fireplace is available with our beautiful designer faces (see pages 23-27), or as a "Clean Face" model with decorative trim. The 564 TRV 25K comes standard with the Ember-Fyre® II Burner, Ember-Glo™ ember bed lighting, and your choice of high definition Classic Oak or Birch Log Sets. You can also add the CoolSmart TV Wall™ option.

This **Deluxe** fireplace includes our most popular options, namely, a quiet 180 CFM convection fan, the GreenSmart® Remote Control, and overhead Accent Lights. See pages 36-37 for more information on our GreenSmart® features.

- Viewing Area: Tempered Glass 29-3/8" W x 16-3/8" H (480 Sq. In.)
- Heating Capacity: Up to 1,250 Sq. Ft.
- BTU Input Per Hour: 7,500 (NG), 6,500 (LP) to 25,000 (NG/LP)
- Steady State Efficiency: Up to 79.67% (NG), 80.16% (LP)
- EnerGuide P4 Efficiency: 70.28% (NG), 71.10% (LP)

Choose Your Log Set



Classic Oak
10-piece high definition log set



Birch
10-piece high definition log set

This sitting room features the 564 TRV 25K Deluxe adorned with the Classic Arch Face, Handmade Brick Fireback, and Classic Oak Log Set.

BRAND NEW

564 TV 35K Deluxe

- Two Models -

564 TV 35K Deluxe & 564 TV 35K Clean Face Deluxe

The 564 TV 35K Deluxe is a mid-sized fireplace that delivers big heat. With a 35,000 BTU input, this high output heater is ideal for larger spaces in your home or colder climates. This fireplace features massive dancing flames, with the Ember-Fyre® II Burner and realistic Ember-Glo™ ember bed lighting. The 564 Top Vent (TV) 35K is available with our selection of designer faces (see pages 23-27), or as a "Clean Face" model with a sleek, decorative trim. You also have the choice between highly detailed Classic Oak or Birch Log Sets.

This fully loaded **Deluxe** fireplace features the GreenSmart® Remote Control, 180 CFM convection fan, Accent Lights, and is compatible with the optional CoolSmart TV Wall™ Kit. See pages 36-37 for more information on our exciting GreenSmart® features.

- Viewing Area: Ceramic Glass: 29-3/8" W x 16-3/8" H (481 Sq. In.)
- Heating Capacity: Up to 1,700 Sq. Ft.
- BTU Input Per Hour: 12,000 (NG), 7,500 (LP) to 35,000 (NG/LP)
- Steady State Efficiency: Up to 82.77% (NG), 84.36% (LP)
- EnerGuide P4 Efficiency: 75.07% (NG), 75.80% (LP)

Choose Your Log Set



Classic Oak
10-piece high definition log set



Birch
10-piece high definition log set



This 564 TV 35K Clean Face Deluxe is shown with the 2" Trim Kit, Birch Log Set, Herringbone Brick Fireback, CoolSmart TV Wall™ Kit, and Polished Concrete Mantel from our Custom Shop.

864 Collection of Fireplaces

Large Gathering Spaces

- Four Models -

The 864 Collection is comprised of four large sized models featuring 864 square inches of glass. The size and heating capacities of these fireplaces are ideal for providing warmth to living rooms and other large spaces in the home. All 864 models feature the newly designed Ember-Fyre® II high definition burner, inspired by our award-winning Ember-Fyre® Burner. Learn more about Ember-Fyre® on page 8.

This living room features the 864 TV 40K Deluxe with the IronWorks™ Burnished Patina Face, Handmade Brick Fireback, and Birch Log Set.

864 TRV 31K Deluxe

- Two Models -

864 TRV 31K Deluxe & 864 TRV 31K Clean Face Deluxe

The 864 TRV 31,000 BTU fireplace is perfect for anyone looking to display a big, beautiful fire that provides supplemental year-round heat to spaces up to 1,400 square feet. This top or rear vent (TRV) fireplace is available as a "Clean Face" model with minimal trim, or with one of our beautiful designer faces (see pages 23-27). The 864 TRV 31K includes the Ember-Fyre® II Burner, Ember-Glo™ ember bed lighting, the CoolSmart TV Wall™ option, and your choice of stunning Classic Oak or Birch Log Sets.

In addition to the great features listed above, both of these **Deluxe** models include the GreenSmart® Remote Control, 180 CFM convection fan, and adjustable overhead Accent Lights. See pages 36-37 for more information on our exciting GreenSmart® features.

- Viewing Area: Tempered Glass 34 1/4" W x 22 1/4" H (758.8 Sq. In.)
- Heating Capacity: Up to 1,400 Sq. Ft.
- BTU Input Per Hour: 10,000 (NG), 8,000 (LP) to 31,000 (NG/LP)
- Steady State Efficiency: Up to 80.38% (NG), 81.21% (LP)
- EnerGuide P4 Efficiency: 71.48% (NG), 71.02% (LP)

Choose Your Log Set



Classic Oak
10-piece high definition log set



Birch
10-piece high definition log set



The enduring design of the Legacy™ Face with the Birch Log Set is a complementary combination in this classically styled living room.

864 TV 40K Deluxe

- Two Models -

864 TV 40K Deluxe & 864 TV 40K Clean Face Deluxe

The 864 TV 40K is our 'best in class' fireplace. This top vent (TV) 40,000 BTU fireplace is a high output heater, ideal for larger homes and living spaces up to 2,000 square feet. The 864 TV 40K is available as a "Clean Face" model with decorative trim, or features our wide selection of designer faces (see pages 23-27). This fireplace includes realistic Ember-Glo™ ember bed lighting, the high definition Ember-Fyre® II Burner, CoolSmart TV Wall™ option, and your choice of detailed Classic Oak or Birch Log Sets.

This **Deluxe** fireplace also features adjustable overhead Accent Lights, the GreenSmart® Remote Control, and 180 CFM convection fan. Learn more about our GreenSmart® features on pages 36-37.

- Viewing Area: Ceramic Glass 34 1/4" W x 22 1/4" H (758.8 Sq. In.)
- Heating Capacity: Up to 2,000 Sq. Ft.
- BTU Input Per Hour: 11,000 (NG), 12,000 (LP) to 40,000 (NG/LP)
- Steady State Efficiency: Up to 82.04% (NG), 83.93% (LP)
- EnerGuide P4 Efficiency: 72.59% (NG), 74.19% (LP)

Choose Your Log Set



Classic Oak
10-piece high definition log set



Birch
10-piece high definition log set

This 864 TV 40K Clean Face Deluxe model features the 2" Trim Kit, Birch Log Set, and the Polished Concrete Mantel from our Custom Shop.

Decorative Firebacks for 564 & 864 Fireplaces

Personalize the inside of your fireplace with one of our many stunning firebacks.

Note: Firebacks are optional on all 564 and 864 models.



Reversible Common Brick/Herringbone Brick

Handmade Brick



Old World Stucco



Ledgestone



Stacked Tan Brick



Black Glass

Decorative Grills, Trims, and Designer Faces



This 864 TRV 31K Deluxe features the Rectangular Double Door Face, Classic Oak Log Set, and Ledgestone Fireback.

Decorative Grills

564 Models: 36-1/4" W x 30-1/4" H
864 Models: 41" W x 36-5/8" H



Basic Grills, Black Painted
Arched frame may be removed.



Basic Louvers, Black Painted



Mission Grills, Black Painted

Trim Kits For Clean Face Models



Beveled Tile Trim Kit
A sleek, modern look with beveled edges. Accommodates 1/2" - 1-1/2" facing thickness.



2" Trim Kit
A simple decorative option that beautifully frames the fire to offer a clean, finished look.



Classic Arch, Black Painted



Legacy™, Black Painted



Metropolitan™, Black Painted



French Country™, Black Painted



Legacy™, Carbon Patina



Rectangular Double Door, Black Painted

564 Models:
36-1/8" W
29-1/16" H

864 Models:
40-3/4" W
35-1/2" H

564 Models:
36-1/8" W
29-1/16" H

864 Models:
40-3/4" W
35-1/2" H

564 Models:
36-1/8" W
29-1/16" H

864 Models:
40-3/4" W
35-1/2" H
35-5/8" H

Custom Shop Forged Collection of Faces

Custom Shop Forged Collection of Faces for 564 & 864 Fireplaces

Learn more about the Custom Shop Collection on pages 34-35.



Timberline™, Bronze Patina



Timberline™, Burnished Patina



IronWorks™, Bronze Patina



IronWorks™, Burnished Patina



Artisan™, Bronze Patina



Artisan™, Charcoal Painted



MetalSmith™,
Carbon Patina

564 Models:
36-1/8" W x 29-1/16" H

864 Models:
40-3/4" W x 35-1/2" H

This 864 TV 40K Deluxe features the
Timberline™ Burnished Patina Face and Birch Log Set.

SAFELY ADD A TV ABOVE YOUR 564 & 864 FIREPLACES WITH THE OPTIONAL COOLSMART TV WALL™ KIT



- A** Cool room air is naturally pulled into the bottom of the convection chamber surrounding the firebox.
- B** If the convection fan is turned on, the heated air is returned to the room above the fireviewing glass.

- C** The CoolSmart TV Wall™ allows a TV to be safely installed above the fireplace, either flush or recessed up to 4-1/4" into the wall.
- D** If the fan is turned off, cool room air and the majority of the heated convection air are naturally drawn up through the CoolSmart Heat Vent(s) and returned to the room above the TV. This reduces the height the TV needs to be installed above the fireplace.

4237 TV Deluxe

Great Rooms

- Two Models -

4237 TV Deluxe & 4237 TV Clean Face Deluxe

The grandest of our premium fireplaces, the 4237 Top Vent (TV) Deluxe is a massive showstopper that is perfect for great rooms with its 42" wide by 37" high glass and generous heat output. The magic of the 4237 TV lies within its ability to express the appeal of an open masonry fireplace while embodying the performance and functionality of today's superior gas heating technology. The 4237 TV features a beautiful fireview, with 10-piece detailed Bon-Fyre™ and Western Timber™ log sets to choose from. This top vent fireplace is available as a "Clean Face" model, or you can add the hand-hammered IronWorks™ Double Doors (*shown to the right*).

The 4237 TV is a full feature **Deluxe** fireplace. Just as the name "Deluxe" implies, this fireplace includes the GreenSmart® Remote Control, 260 CFM Convection Fan, and overhead Accent Lights. See pages 36-37 for more information on our exciting GreenSmart® features.

- Viewing Area: Ceramic Glass 39 7/8" W x 34 7/8" H (1,388 Sq. In.)
- Heating Capacity: Up to 3,000 Sq. Ft.
- BTU Input Per Hour: 32,089 (NG), 30,887 (LP) to 60,000 (NG/LP)
- Steady State Efficiency: Up to 79.54% (NG), 81.19% (LP)
- EnerGuide P4 Efficiency: 66.41% (NG), 67.50% (LP)



This grand space features the 4237 TV Deluxe with the IronWorks™ Double Doors and Lodge Ring Handle, Western Timber™ Log Set, Stacked Tan Brick Fireback, and Hand-Hewn Timber Mantel from our Custom Shop.



The 4237 TV Clean Face Deluxe featured in this great room includes the Beveled Tile Trim Kit, Bon-Fyre™ Log Set, and Black Enamel Fireback.

Decorative Firebacks for 4237 TV Fireplace (Required)



Herringbone Brick



Handmade Brick



Stacked Tan Brick



Black Enamel

Log Set Options



Bon-Fyre™
10-piece high definition log set



Western Timber™
10-piece high definition log set

Trim Kits for Clean Face Model

All trims accommodate 1/2" - 1" facing thickness.



The Beveled Tile Trim Kit features a sleek, modern look with beveled edges.

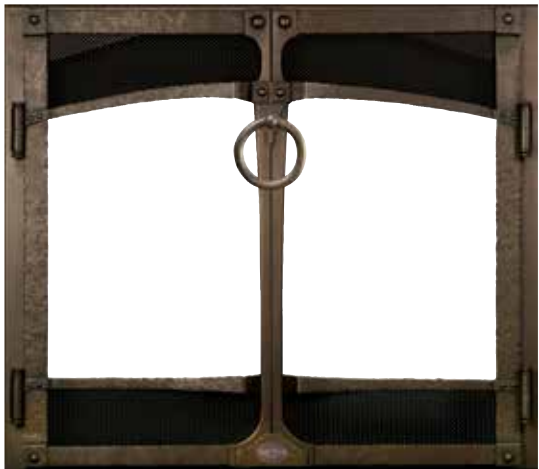


The 2" Trim Kit provides a simple decorative option that beautifully frames the fire to offer a clean, finished look.



The IronWorks™ Trim is a hand-hammered bronze patina option to add style and color to your fireplace.

Double Door Option



IronWorks™ Double Doors
45-5/8" W x 39-3/8" H
Hand crafted by in-house blacksmiths through a labor intensive forging process. Shown with the optional Lodge Ring Handle. Learn more about the Custom Shop Collection on pages 34-35.



Markus, one of our master craftsmen, works on hand-forging parts for our beautiful Timberline™ Face.

Custom Shop Mantels



(for all models)

Add a bold statement to your fireplace with one of our unique, hand-crafted mantels that are designed and created by our in-house artists. These non-combustible mantels come in both 5' and 6' lengths, and can also be used as a hearth.



Polished Gray Concrete Mantels
Each mantel is individually crafted to expose a smooth, polished quartz surface that offers a bold, contemporary look.

Custom Shop

The Custom Shop features all of the unique hand-crafted, hand-painted, and hand-hammered items that our artists craft at the House of Fire. The texture and luster make each piece a bold statement of indulgent artistry.

Custom Shop Pieces

CASTINGS

- Hand-Hewn Timber Mantel & Legs
- Polished Gray Concrete Mantel and Hearth
- Bon-Fyre™ Log Set

STEEL FORGING

- Artisan™ Face Collection
- IronWorks™ Face Collection
- Timberline™ Face Collection
- MetalSmith™ Face Collection

Custom Hand-Forged Face Designs

Each Artisan™ IronWorks™, Timberline™, and MetalSmith™ face is hand crafted by in-house blacksmiths through a skillful and labor intensive metal forging process. From start to finish this process requires focus, stamina and an artful eye. Every individual piece of metal is heated in a forge at extremely high temperatures, hand-hammered and worked multiple times to complete an authentic finished product with textured surfaces, hammered edges and incredible attention to detail. Each face is an individual custom work of art that bears unique, subtle characteristics from the hands of its creator.



Hand-Rubbed Bronze Patina

This finish features warm undertones that are absorbed deep into the metal, giving it the luster and beauty of an oil-rubbed bronze piece of art.



Hand-Rubbed Burnished Patina

This finish offers a timeless look that resembles worn, aged steel with beautiful textures that create subtle high and low lights.

Hand-Hewn Timber Mantels

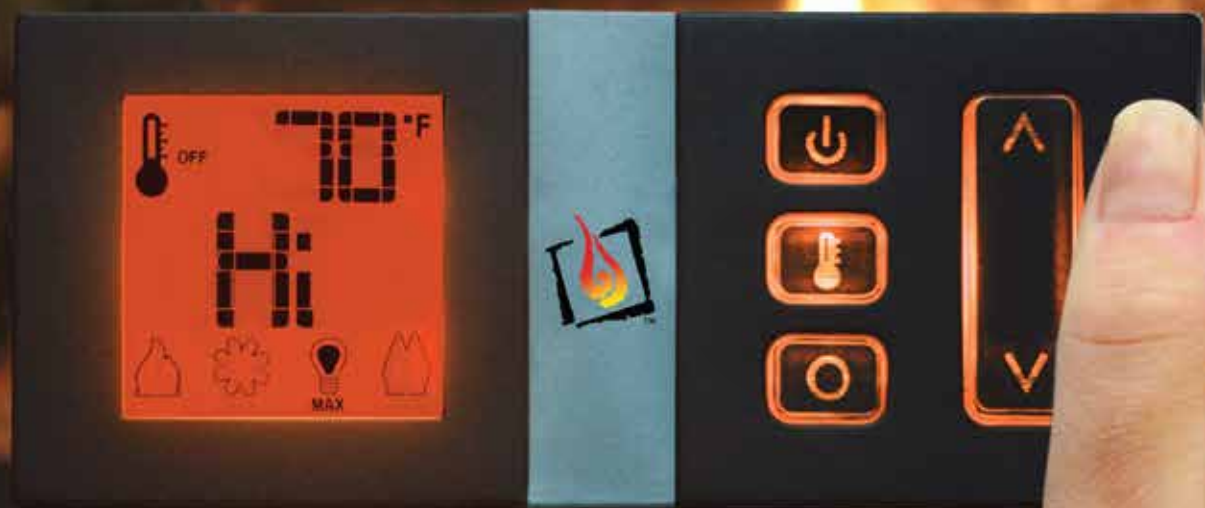
This is a realistic reproduction of a 150-year-old fir timber. Our artists individually hand-paint each mantel with incredible attention to detail. We challenge anybody to tell the difference between this reproduction and the authentic timber. Hand-Hewn Timber Legs are available for the 6' mantel to achieve a three-sided Timber mantel installation.





All of our Deluxe Gas Fireplaces in this catalog feature the patented GreenSmart® System. This proprietary system is the most innovative collection of components, controls, and technology that when combined provides an elegant, greener, and smarter way to heat your home.

**GreenSmart® Deluxe
Multi-Function Wireless
Thermostat Remote Control**



- Two Thermostat Modes
- Change Between IPI GreenSmart® and CPI Pilot Modes
- Flame Adjustment (6 levels)
- Convection Fan Operation (6 levels)
- Accent Lights (6 levels)
- Comfort Control™ (Controls rear burner)
- Ember-Glo™ ember bed lighting



Manual Setting ON/OFF

Fire and fan stay where you manually set it.

Thermostat Setting

Fireplace turns ON or OFF to maintain your desired home/room temperature.

Smart Thermostat Setting

Automatically adjusts the flame height based on the temperature setting, so the flame will modulate up/down as opposed to shutting ON/OFF like normal thermostats. This setting conserves fuel and maximizes the unit's heating ability while extending the viewing pleasure of the fire.



Choice of Pilot Modes - Easily Switch Between IPI & CPI Modes:

IPI GreenSmart®- Intermittent Pilot Mode

Use in summer or milder heating days to reduce gas consumption from the pilot. The pilot only turns on when the unit calls for heat, saving more energy.

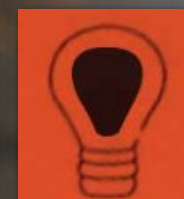
CPI - Continuous Pilot Mode

Use in fall/winter or in cold climate areas. CPI keeps the pilot on at all times. This warms the vent system to maintain a strong draft in your chimney and reduce moisture condensation on the glass. This system includes a battery back-up, ensuring proper ignition, even during power outages.



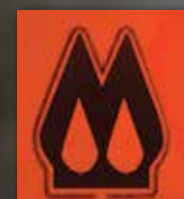
Flame Adjustment

Adjust the height/heat of the flame. 6 levels of flame heights to choose from.



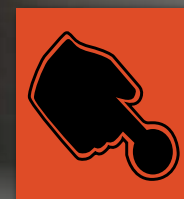
Accent Lights

This feature adds a warm glow to both the logs and fireplace interior, and can be used when the fire is on or off. Perfect as a nightlight or soft indirect lighting for the room, the Accent Light allows for visual enhancement of your fireplace 365 days a year. 6 levels to choose from.



Comfort Control™

Comfort Control™ turns off the rear burner while leaving the front burner on for an attractive flame when heat output is not the priority. This feature offers a turn-down ratio of up to 75 percent and offers a more efficient way to heat your home by only burning the correct amount of fuel to keep a constant room temperature. *(This feature is not available on the 4237 TV)*



Ember-Glo™ (564 & 864 models only)

Ember-Glo™ combines adjustable halogen under-lighting with colored glass and embers in front of the fire to provide an amazingly realistic ember bed effect.



Convection Fans

Circulate room air around the firebox and deliver heated air into your home. 6 speeds to choose from.



Accent Lights Off



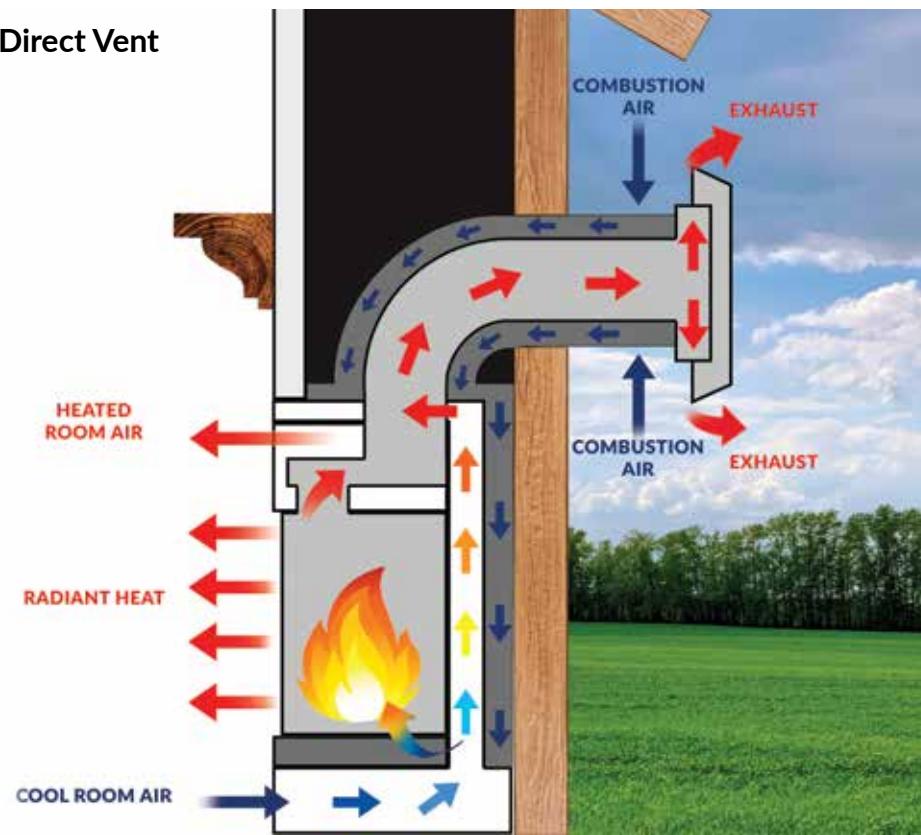
Accent Lights On



All Fireplace Xtrordinair® Gas Fireplaces Feature Direct Venting

The American Lung Association discourages the use of vent-free fireplaces for health and environmental reasons. They recommend homeowners choose only sealed, direct vent gas fireplaces to preserve indoor and outdoor air quality and to prevent by-products such as carbon monoxide, soot, and nitrogen dioxide from entering your home. In direct vent installation, combustion air is drawn into a sealed firebox and flue gases are exhausted through a co-linear or co-axial intake/exhaust pipe. Direct vent gas fireplaces also prevent excess moisture from building up in your home. All Fireplace Xtrordinair® direct vent gas fireplaces are sealed and meet the guidelines of the American Lung Association's Health House program.

Direct Vent



Add the Beauty of a Fireplace Xtrordinair® Gas Fireplace to Your Outdoor Living Space

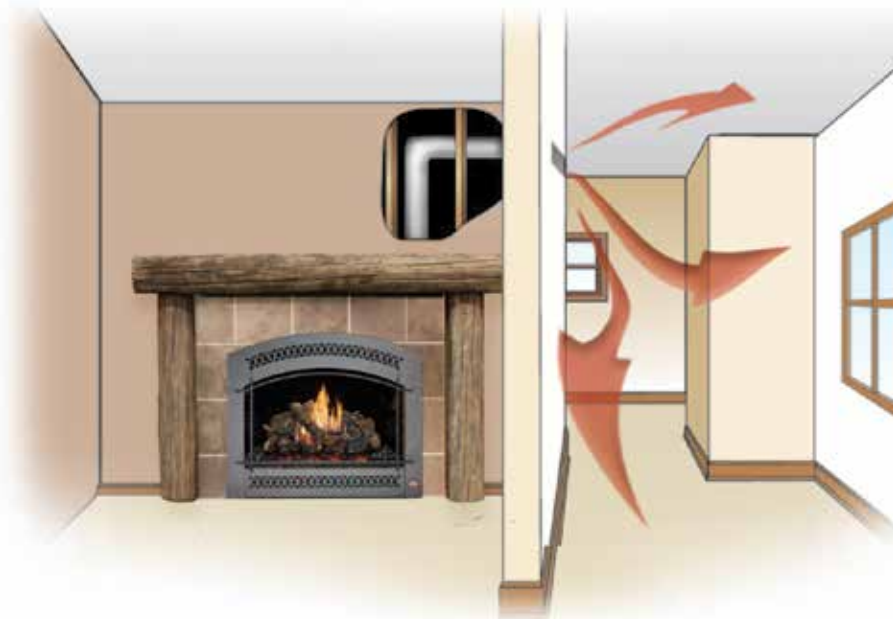
Outdoor living rooms and entertainment spaces are among the most requested room additions found in new home construction and remodels. A fireplace is the perfect accompaniment to any outdoor living space, as it provides warmth and comfort on those cool nights, as well as creates a relaxing ambiance and fun gathering place.

All Fireplace Xtrordinair® gas fireplaces are approved for outdoor installation in a covered area. With our wide variety of fireplace styles, you'll be sure to find one that will complement your outdoor living space. *We do not recommend installing our patina faces in outdoor applications.*

Your Fireplace Xtrordinair® dealer can answer any questions about installing an outdoor fireplace.



Vent Heat To Other Rooms With The Power Heat Duct Kit Option



The Power Heat Duct Kit is perfect for times when you want to enjoy the beauty and ambiance of your fireplace without all the heat in the room the fireplace is located.

This optional feature gives you the ability to redirect up to 50%* of the heat from your fireplace into one or two additional rooms within 20 feet of the fireplace. This allows you to properly manage the heat output throughout your home so that you can maintain a comfortable temperature in your main living space without having to turn down the fire.

* When using two kits.

(Not available with the Bed & Breakfast and 564 TRV 25K models).

Power Exhaust Vent Kit Option

Our Power Exhaust Vent Kit allows you to install our gas fireplaces virtually anywhere in your home, by accommodating even the most difficult venting restrictions. This Power Exhaust Vent Kit allows vent runs up to 100 feet, or up to 50 feet either horizontal or vertical, with a maximum of 12 elbows! This option requires electricity to operate your fireplace. (Not available with the Bed & Breakfast model).



HORIZONTAL TERMINATION ONLY

The flush design of the Power Exhaust Vent termination complements any home's exterior.

Real World Warranty

Your gas fireplace is backed by a network of Specialty Hearth Dealers and certified factory trained installers. Fireplace Xtrordinair® warrants our products to be free from defects in material and workmanship for a period up to seven years from the date of purchase. All parts, electronics (except light bulbs), and labor are covered for a full two years. Trims and faces are covered for a period of two years. No other manufacturer's warranty can compare.

The dimensions and clearances on this page are for reference only! Refer to the Owner's Manual prior to installation. We recommend all Fireplace Xtrordinair® appliances be installed, and maintained on an annual basis by your Specialty Hearth Retailer.	B & B - Intimate	564 Collection - Bedrooms & Family		
	Bed & Breakfast TRV Deluxe	564 TRV 25K Deluxe	564 TRV 25K Clean Face Deluxe	564 TV 35K Deluxe
Features & Options You're Gonna Love				
Comfort Control™	YES	YES	YES	YES
Burner Type	Ember-Fyre®	Ember-Fyre® II	Ember-Fyre® II	Ember-Fyre® II
Convection Fan	90 CFM	180 CFM	180 CFM	180 CFM
Accent Lights	REAR	OVERHEAD	OVERHEAD	OVERHEAD
Ember-Glo™	N/A	YES	YES	YES
Cool Smart TV Wall™ Option	N/A	YES	YES	YES
Power Exhaust Vent Option	N/A	YES	YES	YES
Power Heat Duct Option	N/A	N/A	N/A	ONE
Specifications <small>Gas appliance performance can be affected by negative pressure in the home and by prevailing atmospheric conditions. Efficiency may vary depending on vent configuration and atmospheric conditions. Contact local building or fire officials about restrictions and installation requirements in your area.</small>				
Height (including standoffs)	34-1/8"	37"	37"	37"
Width	20-1/8" Front	37-1/4"	38-1/4"	37-1/4"
Depth	13 5/8" TV 12 3/8" RV	17-1/4"	19-1/8"	17-1/4"
Flue Diameter May be reduced. Ask your dealer.	8"	8"	8"	8"
Direct Vent Top Vent	YES	YES	YES	YES
Direct Vent Rear Vent	YES	YES	YES	NO
Weight	95 lbs.	155 lbs.	155 lbs.	165 lbs.
Glass Viewing Area	397 sq. in.	479.8 sq. in.	479.8 sq. in.	479.8 sq. in.
Combustible Min. Mantel Clearances (Measured from base of fireplace to mantle)	Determined by face 4" to 9" above face	35-3/4" - 38-1/2"	35-3/4" - 38-1/2"	35-3/4" - 38-1/2"
Custom Shop Cast Mantel Clearances	N/A	See your Authorized Fireplace Xtrordinair® dealer for details.		
Hearth Requirement	None	None	None	None
Performance				
Heating Capacity (Up To)	650 Sq. Ft.	1,250 Sq. Ft.	1,250 Sq. Ft.	1700 Sq. Ft.
BTU Input High to Low (NG)	16,500 - 6,000	25,000 - 7,500	25,000 - 7,500	35,000 - 12,000
BTU Input High to Low (LP)	16,500 - 5,000	25,000 - 6,500	25,000 - 6,500	35,000 - 7,500
Turndown Ratio	64% NG 70% LP	70% NG 74% LP	70% NG 74% LP	66% NG 79% LP
Canadian EnerGuide P4 Efficiency	67.62% NG 71.28% LP	70.28% NG 71.10% LP	70.28% NG 71.10% LP	75.07% NG 75.80% LP
Steady State Efficiency High (Up to)	77.94% NG 81.71% LP	79.67% NG 80.16% LP	79.67% NG 80.16% LP	82.77% NG 84.36% LP
AFUE (Annual Fuel Utilization Efficiency)	72.50% NG 72.70% LP	68.10% NG 72.10% LP	68.10% NG 72.10% LP	79.00% NG 79.80% LP
NOTE: Improper installation of your gas appliance or failure to operate it in accordance to the guidelines detailed in the Owner's Manual may negate your warranty and endanger your home and family. Installation information is available on our website at www.fireplacex.com .				

Rooms	864 Collection - Large Gathering Spaces				Great Rooms
564 TV 35K Clean Face Deluxe	864 TRV 31K Deluxe	864 TRV 31K Clean Face Deluxe	864 TV 40K Deluxe	864 TV 40K Clean Face Deluxe	4237 TV Deluxe
YES	YES	YES	YES	YES	NO
Ember-Fyre® II	Ember-Fyre® II	Ember-Fyre® II	Ember-Fyre® II	Ember-Fyre® II	Dancing-Fyre®
180 CFM	180 CFM	180 CFM	180 CFM	180 CFM	260 CFM
OVERHEAD	OVERHEAD	OVERHEAD	OVERHEAD	OVERHEAD	OVERHEAD
YES	YES	YES	YES	YES	N/A
YES	YES	YES	YES	YES	N/A
YES	YES	YES	YES	YES	YES
ONE	ONE	ONE	ONE	ONE	TWO
37"	38-1/4"	44-3/4"	38-1/4"	44-3/4"	53-3/4"
38-1/4"	41"	42-3/4"	41"	42-3/4"	59-1/4"
19-1/8"	20-3/4"	22"	20-3/4"	22"	29-1/4"
8"	8"	8"	8"	8"	8"
YES	YES	YES	YES	YES	YES
NO	YES	YES	N/A	N/A	N/A
165 lbs.	205 lbs.	205 lbs.	205 lbs.	205 lbs.	555 lbs.
479.8 sq. in.	758.8 sq. in.	758.8 sq. in.	758.8 sq. in.	758.8 sq. in.	1,388 sq. in.
35-3/4" - 38-1/2"	40-3/4" - 48-3/4"	44-3/4" - 48-3/4"	40-3/4" - 48-3/4"	44-3/4" - 48-3/4"	55"-57"
See your Authorized Fireplace Xtrordinair® dealer for details.					
None	None	None	None	None	None
Performance					
1700 Sq. Ft.	1,400 Sq. Ft.	1,400 Sq. Ft.	2,000 Sq. Ft.	2,000 Sq. Ft.	3,000 Sq. Ft.
35,000 - 12,000	31,000 - 10,000	31,000 - 10,000	40,000 - 11,000	40,000 - 11,000	60,000 - 32,089
35,000 - 7,500	31,000 - 8,000	31,000 - 8,000	40,000 - 12,000	40,000 - 12,000	60,000 - 30,887
66% NG 79% LP	68% NG 75% LP	68% NG 75% LP	72% NG 70% LP	72% NG 70% LP	47% NG 49% LP
75.07% NG 75.80% LP	71.48% NG 71.02% LP	71.48% NG 71.02% LP	72.59% NG 74.19% LP	72.59% NG 74.19% LP	66.41% NG 67.50% LP
82.77% NG 84.36% LP	80.38% NG 81.21% LP	80.38% NG 81.21% LP	82.04% NG 83.93% LP	82.04% NG 83.92% LP	79.54% NG 81.19% LP
79.00% NG 79.80% LP	73.80% NG 73.50% LP	73.80% NG 73.50% LP	74.70% NG 75.90% LP	74.70% NG 75.90% LP	66.30% NG 67.70% LP
TESTING & INSTALLATION INFORMATION - Tested and Listed by OMNI-Test Laboratories, Inc. and/or Intertek Testing Service to ANSI Z21.88b-2016 "Vented Gas-Fired Direct Fireplace Heater", CSA 2.33-2016, CGA 2.17-M91, UL 307b and CSA P4.1-15. Must be installed in accordance with all local codes, if any; if not, follow ANSI Z223.1 and requirements listed in the Owner's Manual. The Diagrams, Dimensions and Specifications shown are subject to change without notice, consult the Installation Manual for complete details.					

Dimensions and Framing

When using the CoolSmart TV Wall Kit, see section: "CoolSmart TV - Framing the Chase" in each model's Installation Manual for the minimum framing dimensions.

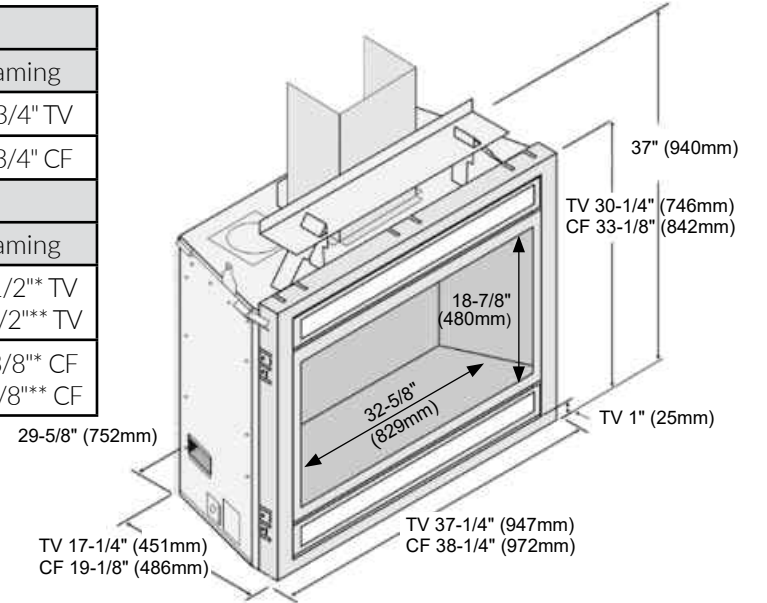
FRAMING Always consult the Installation Manual before beginning any installation. Installation and framing information is available at your

local Fireplace Xtordinaire® dealer or on our website at www.fireplacex.com

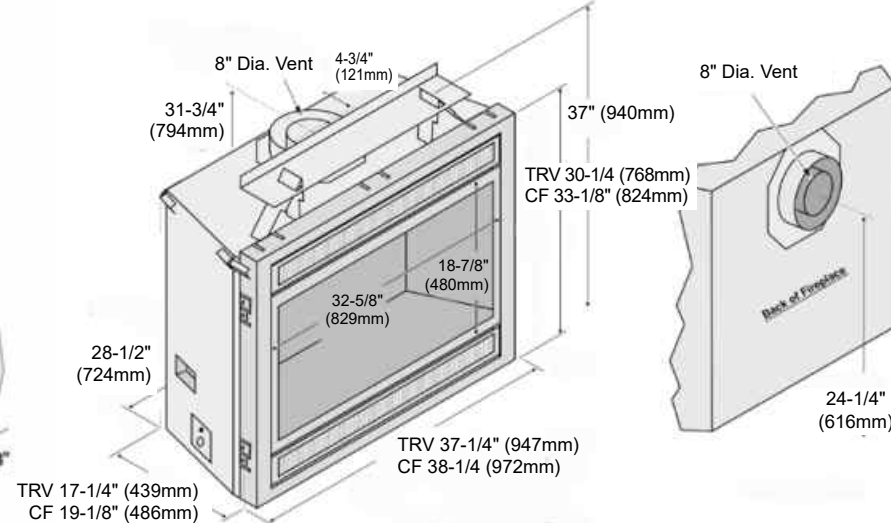
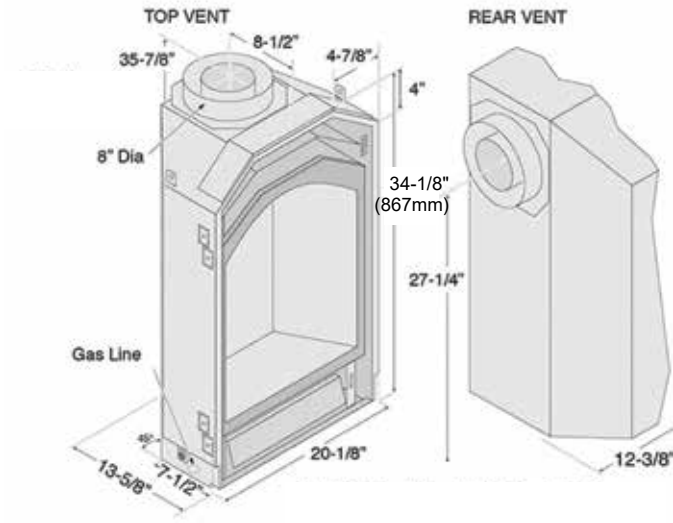
Bed & Breakfast TRV	Front Width		Back Width	
	Unit	Framing	Unit	Framing
	20-1/8"	20-1/4"	10-3/8"	20-1/4"
	Height		Depth	
	Unit	Framing	Unit	Framing
	34-1/8"	34-1/4"	13-5/8" TV 12-3/8" RV	14" TV 12-3/8" RV

564 TRV 25K & 25K Clean Face	Front Width		Back Width	
	Unit	Framing	Unit	Framing
	37-1/4" TRV	37-3/4" TRV	28-1/2" TRV	37-3/4" TRV
	38-1/4" CF	38-3/4" CF	28-1/2" CF	38-3/4" CF
	Height		Depth	
	Unit	Framing	Unit	Framing
	37" TRV	37-1/4" TRV	17-1/4" TRV	17 1/2" TRV
	37" CF	37-1/4" CF	19-1/8" CF	19-3/8" CF

564 TV 35K & 35K Clean Face	Front Width		Back Width	
	Unit	Framing	Unit	Framing
	37-1/4" TV	37-3/4" TV	29-5/8" TV	37-3/4" TV
	38-1/4" CF	38-3/4" CF	29-5/8" CF	38-3/4" CF
	Height		Depth	
	Unit	Framing	Unit	Framing
	37" TV	37-1/4" TV	17-1/4" TV	17-1/2" TV 17-1/2"*** TV
	37" CF	37-1/4" CF	19-1/8" CF	19-3/8" CF 18-7/8"*** CF

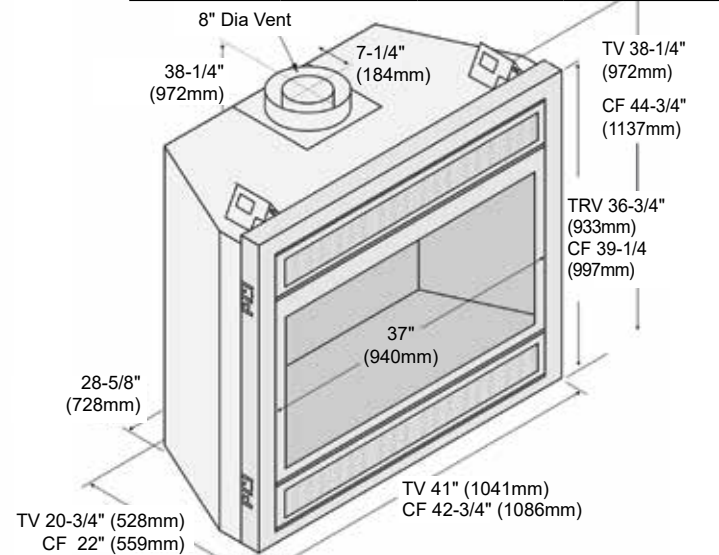
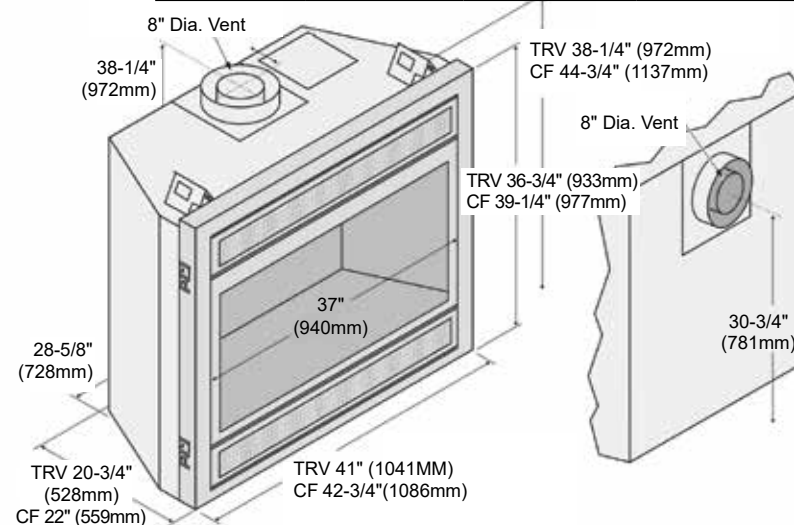


* Flush install
** Extended (Tile over) install

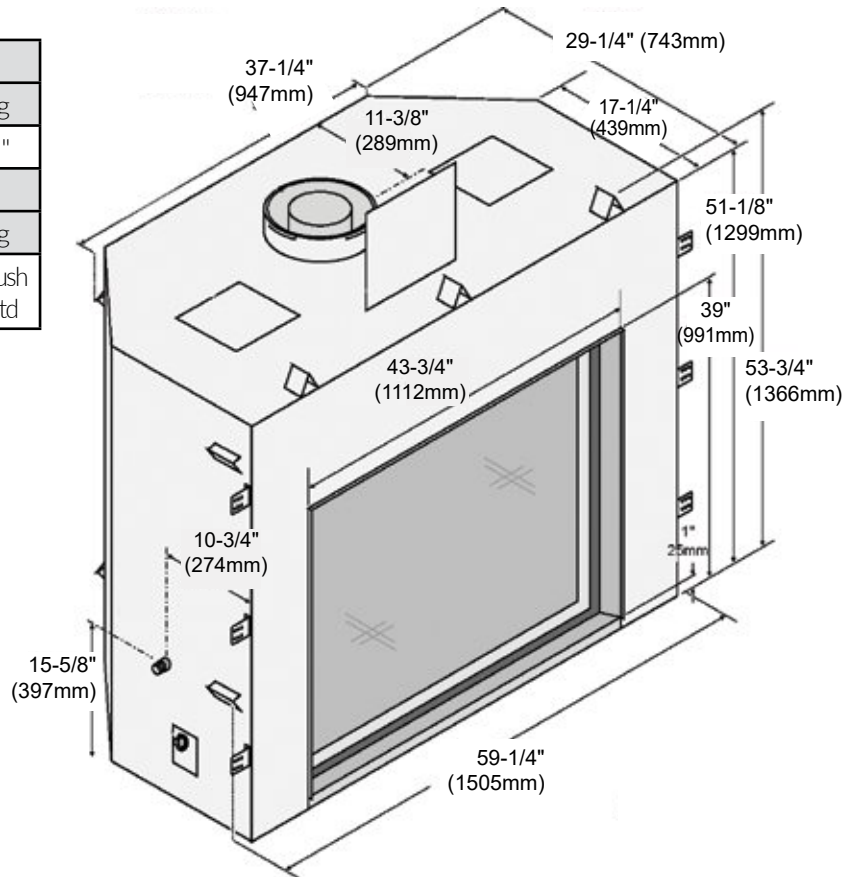


864 TRV 31K & 31K Clean Face	Front Width		Back Width	
	Unit	Framing	Unit	Framing
	41" TRV	41-1/4" TRV	28-5/8" TRV	41-1/4" TRV
	42-3/4" CF	43" CF	28-5/8" CF	43" CF
	Height		Depth	
	Unit	Framing	Unit	Framing
	38-1/4" TRV	38-1/2" TRV	20-3/4" TRV	20-3/4" TRV
	44-3/4" CF	45" CF	22" CF	22-1/2" CF

864 TV 40K & 40K Clean Face	Front Width		Back Width	
	Unit	Framing	Unit	Framing
	41" TV	41-1/4" TV	28-5/8" TV	41-1/4" TV
	42-3/4" CF	43" CF	28-5/8" CF	43" CF
	Height		Depth	
	Unit	Framing	Unit	Framing
	38-1/4" TV	38-1/2" TV	20-3/4" TV	20-3/4" TV
	44-3/4" CF	45" CF	22" CF	22-1/2" CF



4237 TV	Front Width		Back Width	
	Unit	Framing	Unit	Framing
	59-1/4"	59-1/2"	37-1/4"	59-1/2"
	Height		Depth	
	Unit	Framing	Unit	Framing
	53-3/4"	54"	29-1/4"	29-1/4" Flush 28-3/4" Std



These illustrations provide basic information and are NOT to be used for actual installation! See Installation Manual for complete installation instructions. Installation Manuals are available online at www.fireplacex.com under the "Documents" tab for each model.

Be Your Own Designer

With our New & Enhanced Designer My Fire Web App

Pick your fireplace, accessories, and extras, then snap a photo of your room and upload it to the app to see what your new fire will look like in your room!

Visit our website at
FIREPLACEX.COM



Professional Hearth Retailers

Only the most professional specialty hearth retailers are selected to sell Fireplace Xtrordinair® fireplaces. They represent our total commitment to exceptional products and excellent service. In addition, they have successfully completed special training programs in the proper selection, installation, and service of all Fireplace Xtrordinair® products.

Your professional Fireplace Xtrordinair® hearth dealers are experts who can advise you on everything from customizing the color of your appliance to selecting appropriate venting and chimney materials.

Additional Hearth Products

Fireplace Xtrordinair® manufactures a wide variety of quality wood and gas appliances. Find your favorite fire today by visiting: www.FireplaceX.com.

Made In America



Our fireplaces are proudly manufactured in America at The House of Fire. If you're ever in the Seattle area, we invite you to take a free tour of The House of Fire world-class manufacturing plant. You will meet the artisans, engineers, craftsmen and craftswomen who design and hand build these fabulous fireplaces. Wear comfortable shoes, the factory is eleven acres indoors!



Manufactured by
T. I., Inc., Mukilteo, WA

See our complete line
of products online:
fireplacex.com



We reserve the right to change and improve our product at any time without prior notification. Please refer to the Owner's Installation Manual for complete installation requirements. Photos and illustrations are for descriptive purposes only. Fireplace Xtrordinair® Gas Fireplaces are protected by one or more of the following patents; U.S. 8,469,021, 7,066,170, 6,602,068, 6,443,726, 6,953,037; Canada 2755517 as well as other U.S. and Foreign Patents Pending.

Copyright ©2/2021

#98800860